

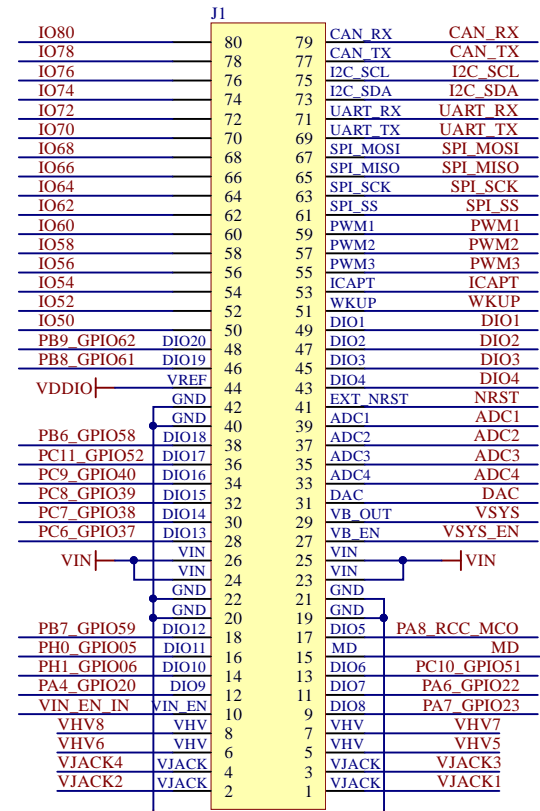
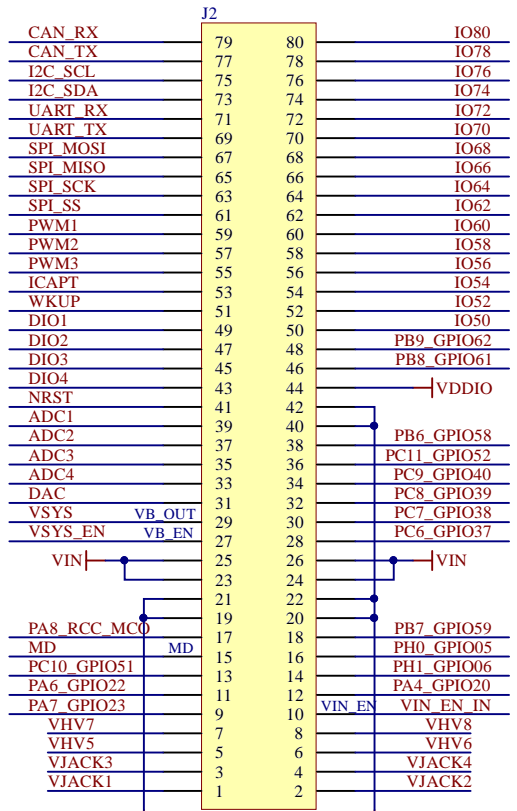


Title: <i>Bloc Diagram</i>	Version: <i>1.0.0</i>	
Board: <i>Zest_Storage_microSD</i>	Size: <i>A4</i>	
Project: <i>6TRON</i>	Sheet: <i>1 of 4</i>	
Author: <i>Olivier Chevalerias</i>	Date modified: <i>15/11/2019</i>	

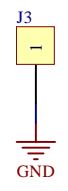
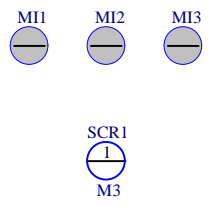
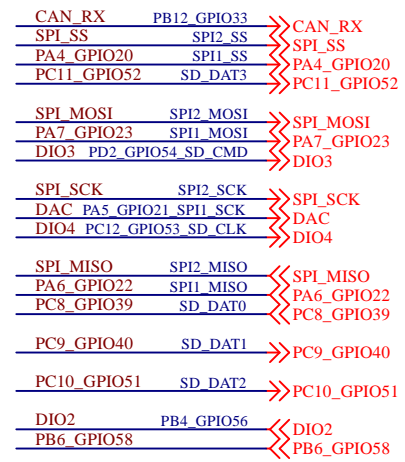
6TRON 80-pin interface headers



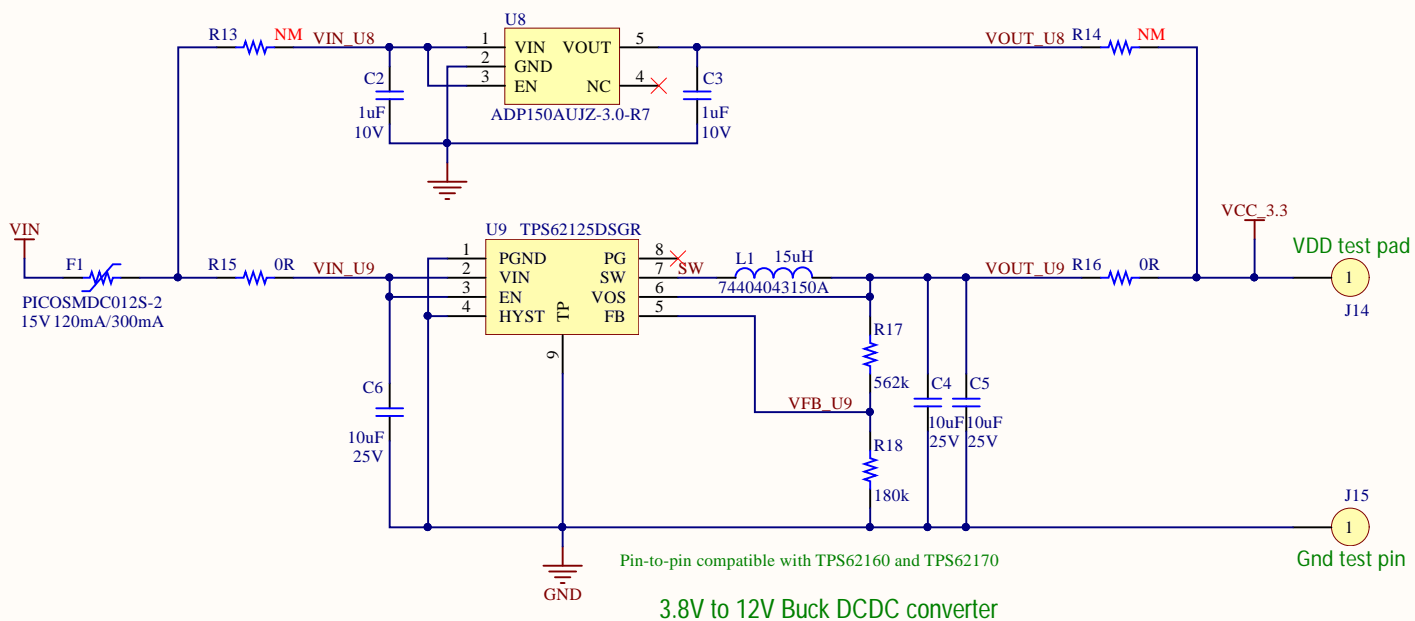
10144517-081802LF
Top-mount



10144518-084802LF
Bottom-mount



3.5V to 5V - 3.3V LDO regulator

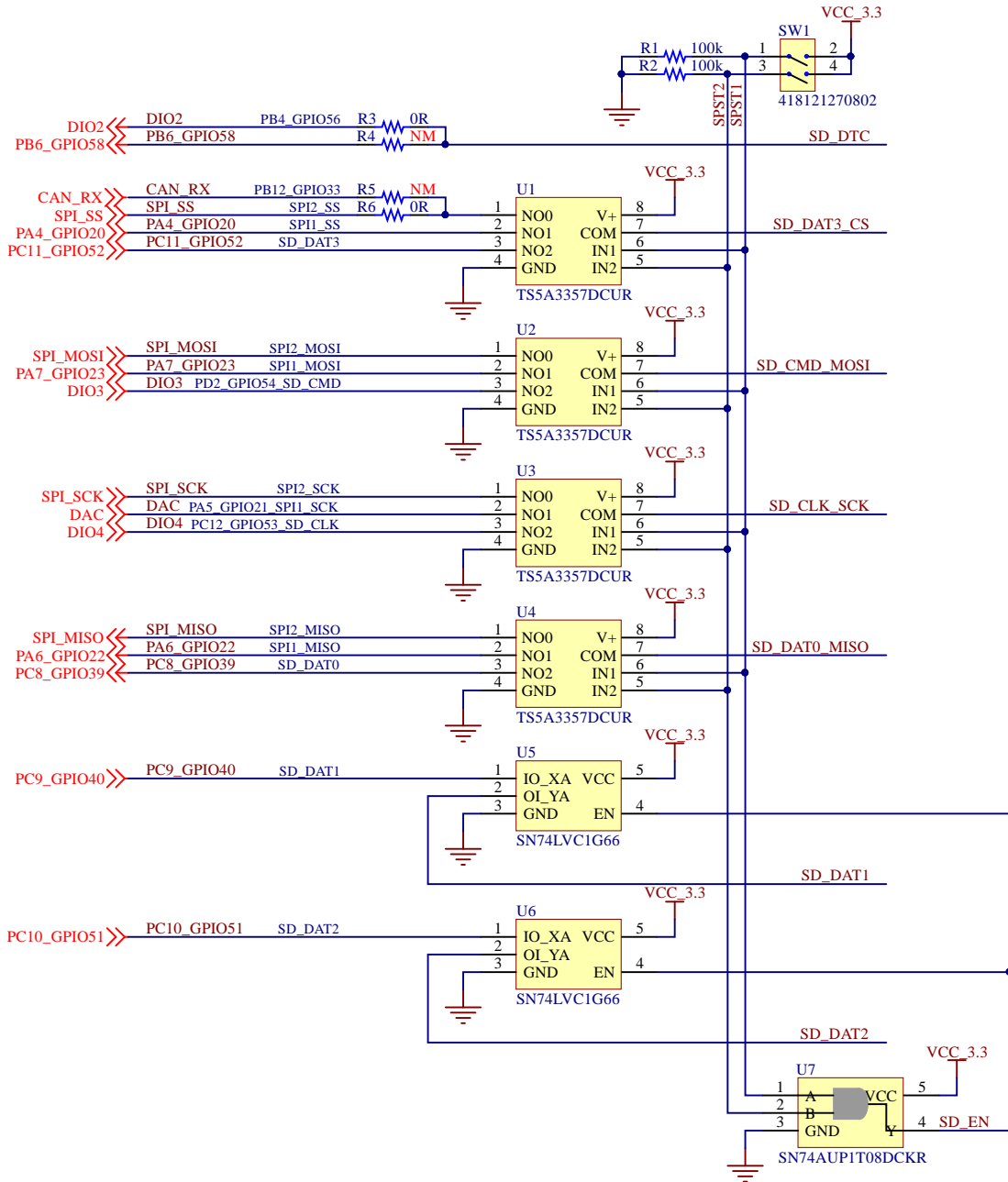


Pin-to-pin compatible with TPS62160 and TPS62170

3.8V to 12V Buck DCDC converter

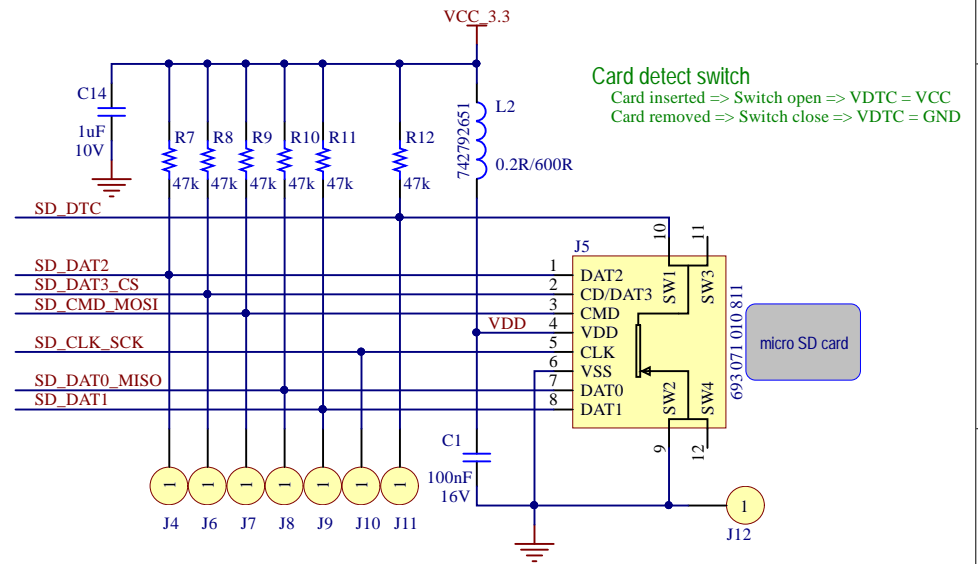
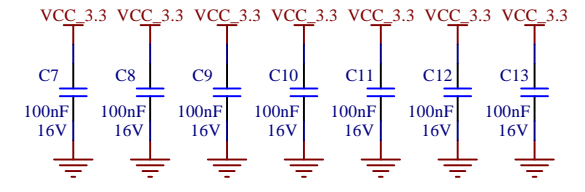
Title: <i>Power Supply</i>	Version: <i>1.0.0</i>	
Board: <i>Zest_Storage_microSD</i>	Size: <i>A4</i>	
Project: <i>6TRON</i>	Sheet: <i>3 of 4</i>	
Author: <i>Olivier Chevalerias</i>	Date modified: <i>23/08/2019</i>	





Switch configuration

Switch	SPST2	SPST1	Status
0	0	1	OFF
0	1	0	SPI1
1	0	0	SPI2
1	1	1	OSPI



Card detect switch
 Card inserted => Switch open => VDTC = VCC
 Card removed => Switch close => VDTC = GND

MicroSD card