

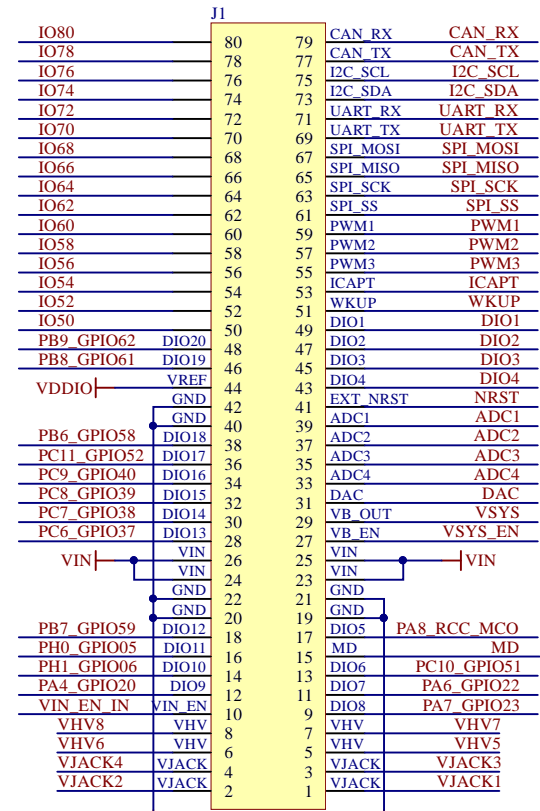
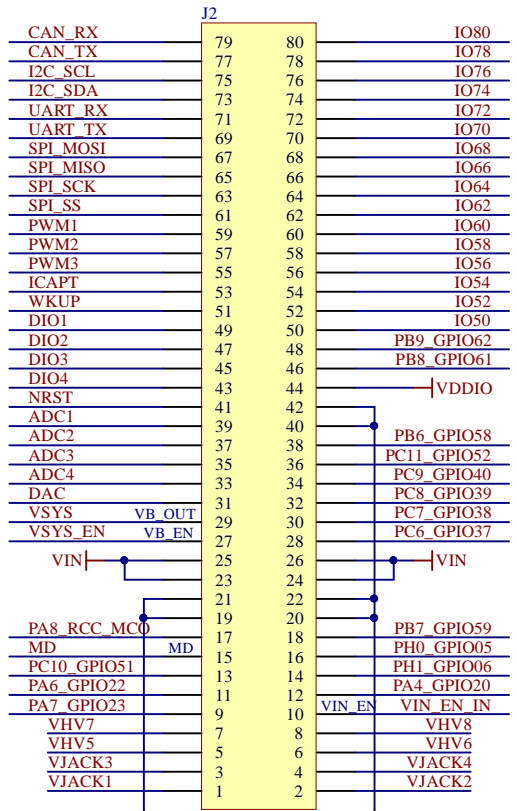


Title: <i>Bloc Diagram</i>	Version: <i>1.0.0</i>	 <small>Solutions pour la société tomorrow</small>
Board: <i>Zest_Storage_Flash</i>	Size: <i>A4</i>	
Project: <i>6TRON</i>	Sheet: <i>1 of 4</i>	
Author: <i>Olivier Chevalerias</i>	Date modified: <i>04/12/2019</i>	

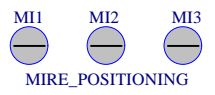
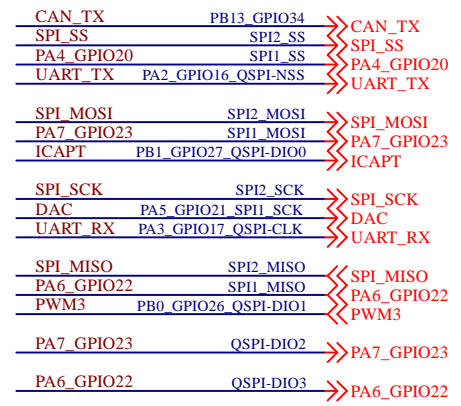
6TRON 80-pin interface headers



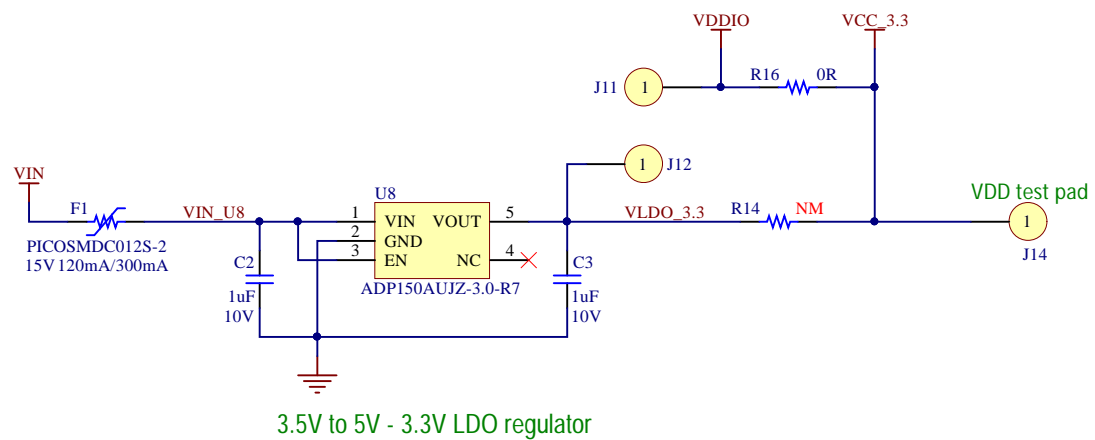
10144517-081802LF
Top-mount





10144518-084802LF
Bottom-mount

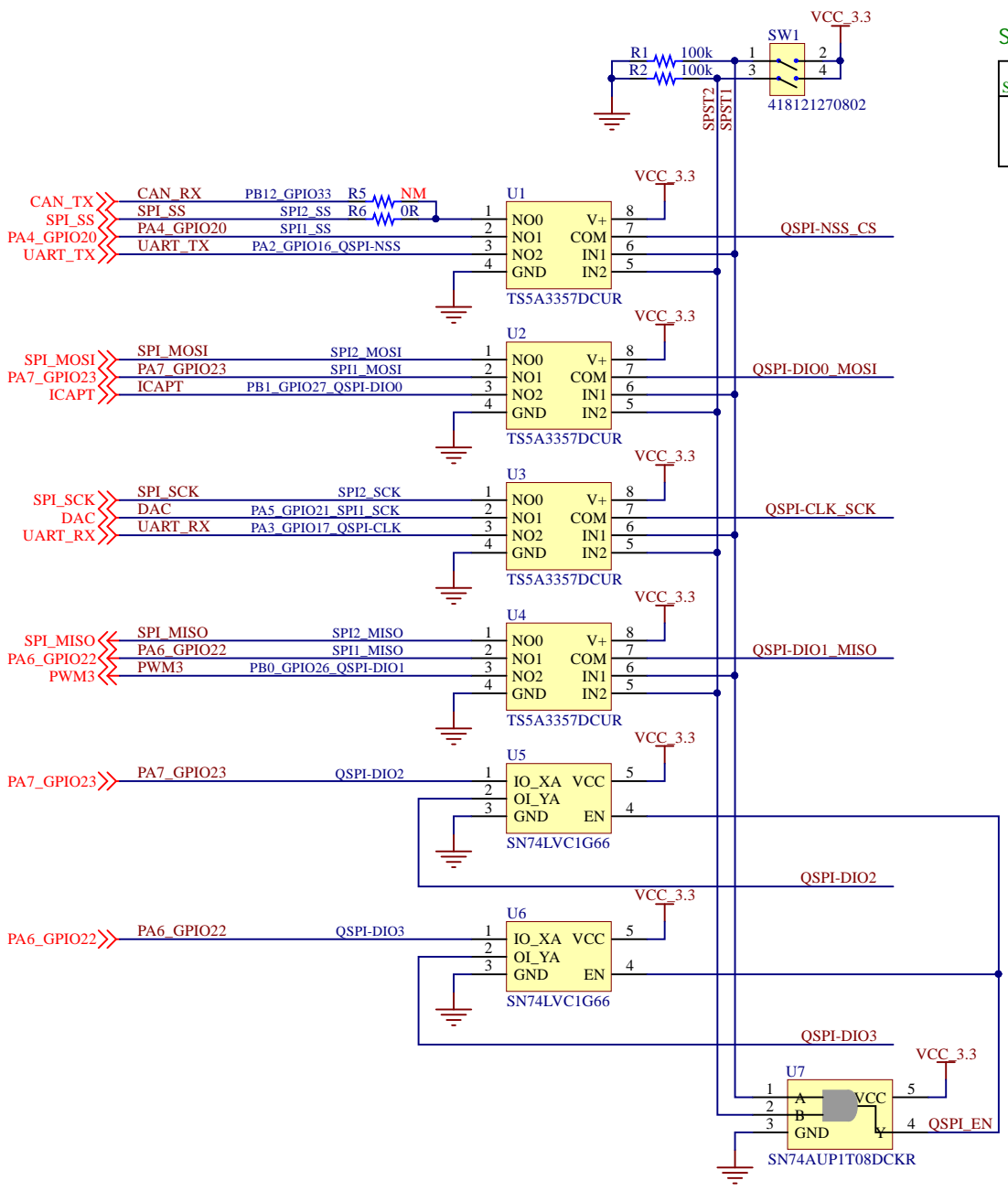


Title: Interconnect	Version: 1.0.0	
Board: Zest_Storage_Flash	Size: A4	
Project: 6TRON	Sheet: 2 of 4	
Author: Olivier Chevalerias	Date modified: 25/08/2019	



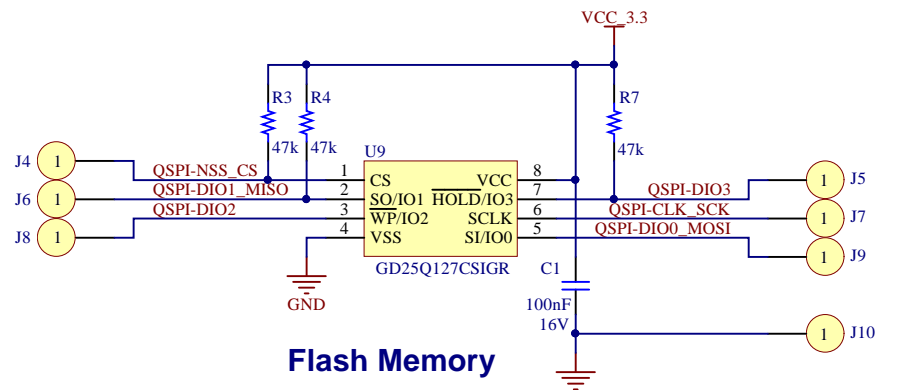
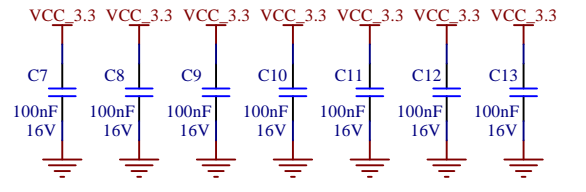
3.5V to 5V - 3.3V LDO regulator

Title: <i>Power Supply</i>	Version: <i>1.0.0</i>	
Board: <i>Zest_Storage_Flash</i>	Size: <i>A4</i>	
Project: <i>6TRON</i>	Sheet: <i>3 of 4</i>	
Author: <i>Olivier Chevalerias</i>	Date modified: <i>04/12/2019</i>	



Switch configuration

Switch	SPST2	SPST1	Status
0	0	0	OFF
0	1	0	SPI1
1	0	1	SPI2
1	1	1	QSPI



Flash Memory

Capacity	Vdd Voltage	
	1.65V - 2V	2.7V-3.6V
32Mo	GD25LQ32DSIGR	GD25Q32CSIGR
64Mo	GD25LQ64CSIGR	GD25Q64CSIGR
128Mo	GD25LQ128DSIGR	GD25Q127CSIGR