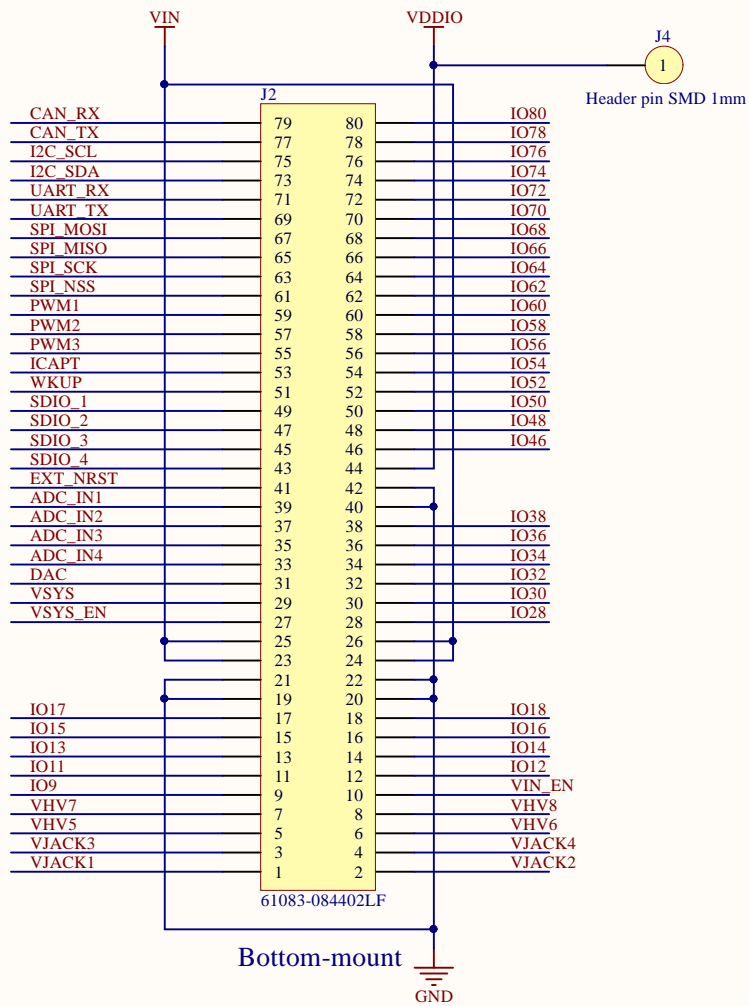
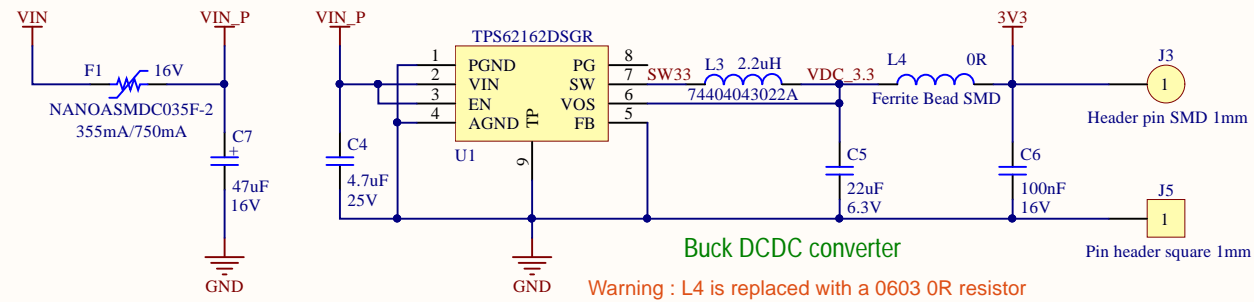


Top-mount

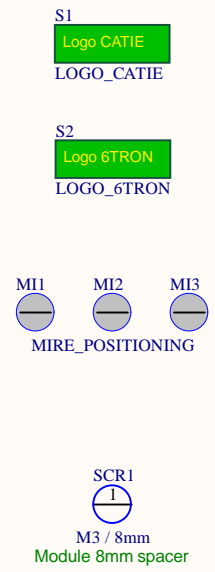


Bottom-mount



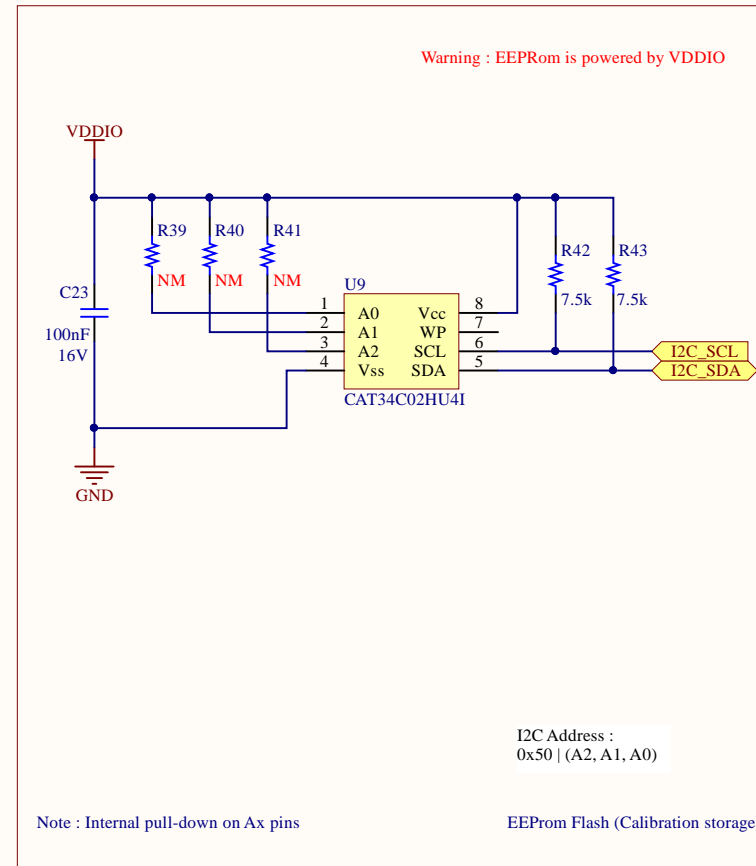
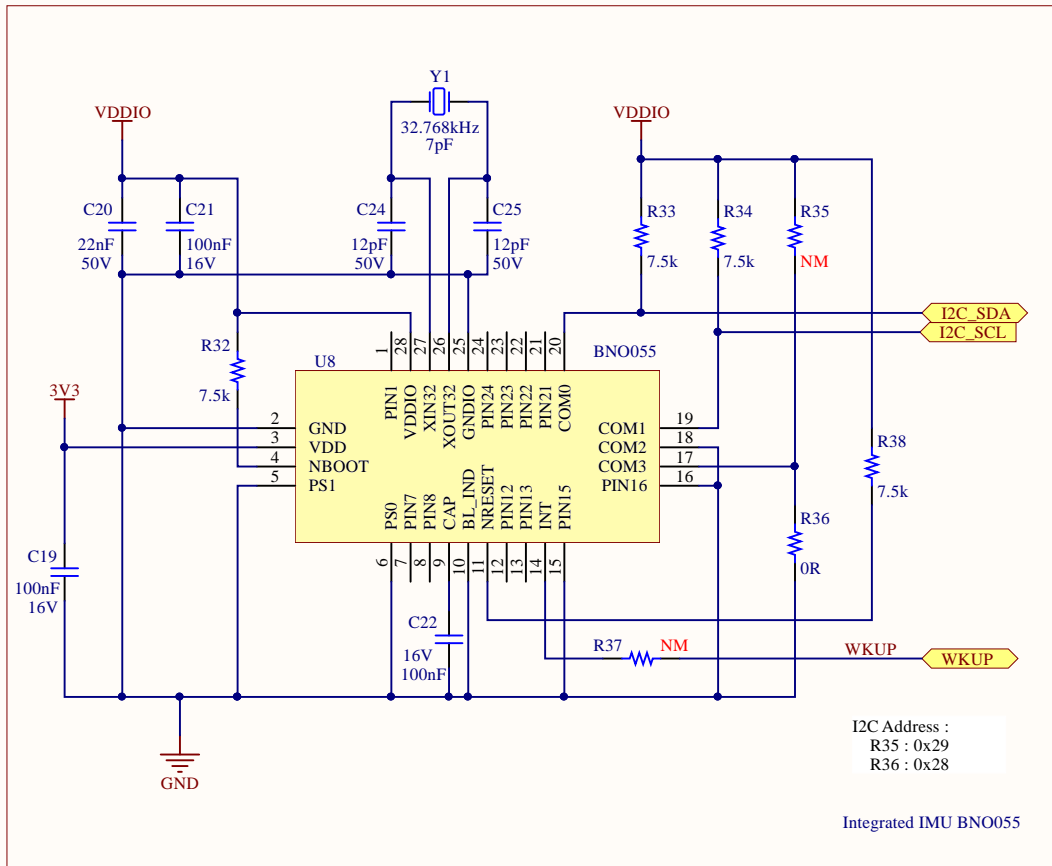
Buck DCDC converter

Warning : L4 is replaced with a 0603 0R resistor





Title: <i>Interface</i>	Version: <i>1.0.2</i>	
Board: <i>Zest_IMU</i>	Size: <i>A4</i>	
Project: <i>6Tron</i>	Sheet: <i>1 of 3</i>	
Author: <i>R. Deniéport</i>	Date modified: <i>02/10/2017</i>	

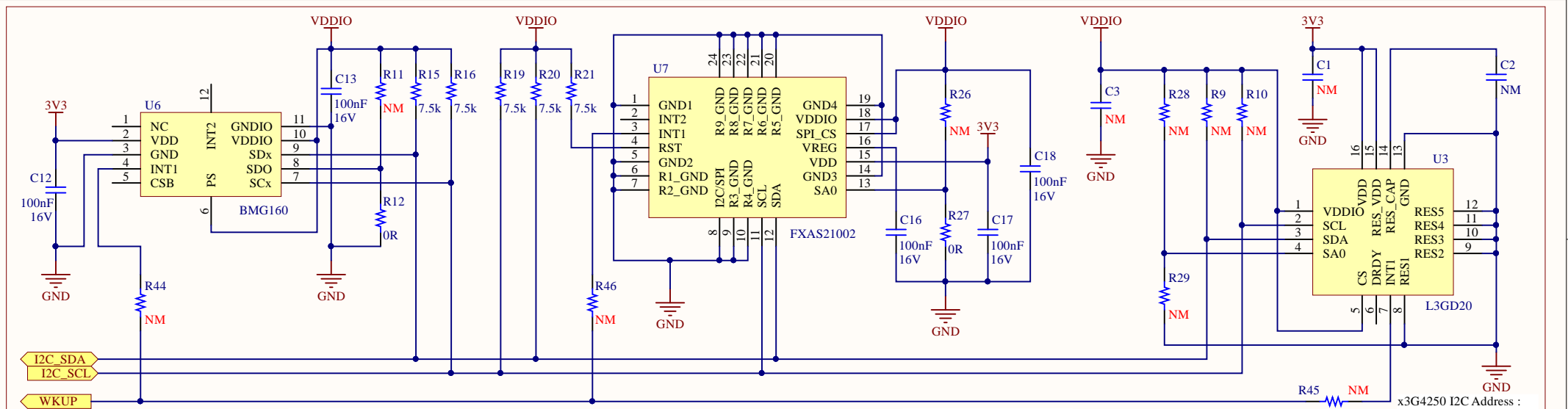




I2C default address :

BNO055 : 0x28
EEPROM : 0x50

Title : <i>Sensors BNO055 Version</i>	Version : <i>1.0.2</i>	
Board : <i>Zest_IMU</i>	Size : <i>A4</i>	
Project : <i>6Tron</i>	Sheet : <i>2 of 3</i>	
Author : <i>Romain Denieport</i>	Date modified : <i>02/10/2017</i>	



BMG106 I2C Address :
R11 : 0x69 - R12 : 0x68

FXAS21002 I2C Address :
R26 : 0x21 - R27 : 0x20

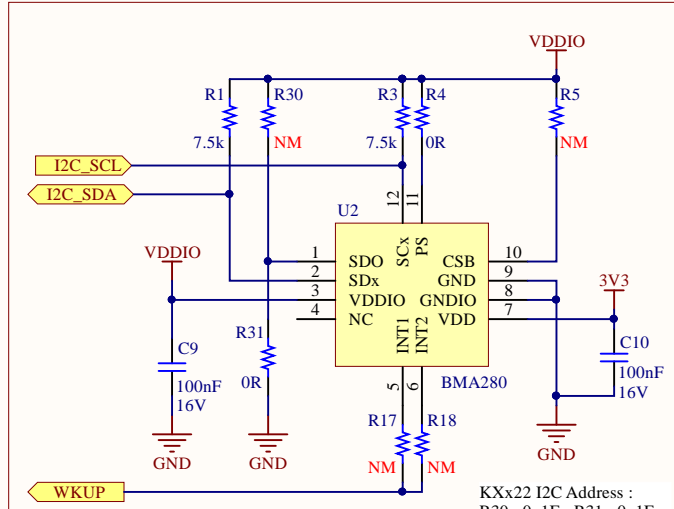
x3G4250 I2C Address :
R28 : 0x69 - R29 : 0x68

L3GD20 I2C Address :
R28 : 0x6B - R29 : 0x6A

I2C default address : 0x68

I2C default address : 0x20

Gyroscope (L3GD20TR / I3G4250DTR / A3G4250DTR / FXAS21002 / BMG160)

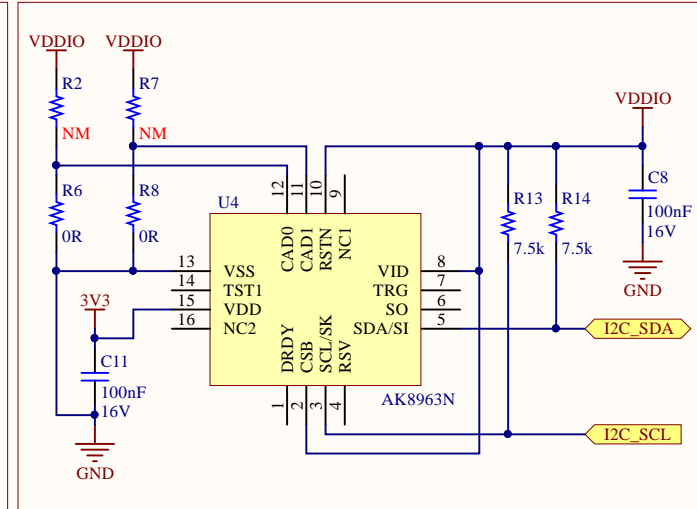


KXx22 I2C Address :
R30 : 0x1F - R31 : 0x1E

BMA2xx I2C Address :
R30 : 0x19 - R31 : 0x18

I2C default address : 0x18

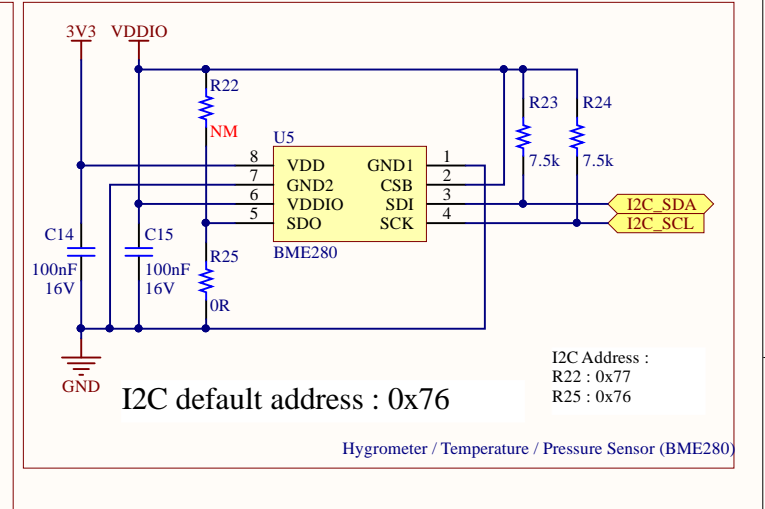
Accelerometer (BMA280 or BMA255 or KX122-1037 or KX022-1020)



I2C Address :
0x0C+(CAD1, CAD0)

I2C default address : 0x0C

Magnetometer (MLX90393 or AK8963)



I2C Address :
R22 : 0x77
R25 : 0x76

I2C default address : 0x76

Hygrometer / Temperature / Pressure Sensor (BME280)

Title: <i>Sensors</i>	Version: 1.0.2	
Board: <i>Zest_IMU</i>	Size: A4	
Project: <i>6Tron</i>	Sheet: 3 of 3	
Author: <i>Romain Denieport</i>	Date modified: 02/10/2017	