

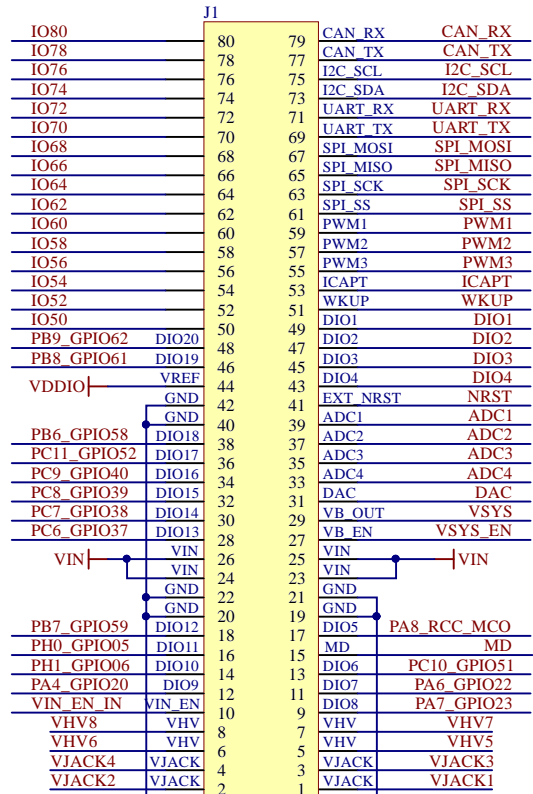
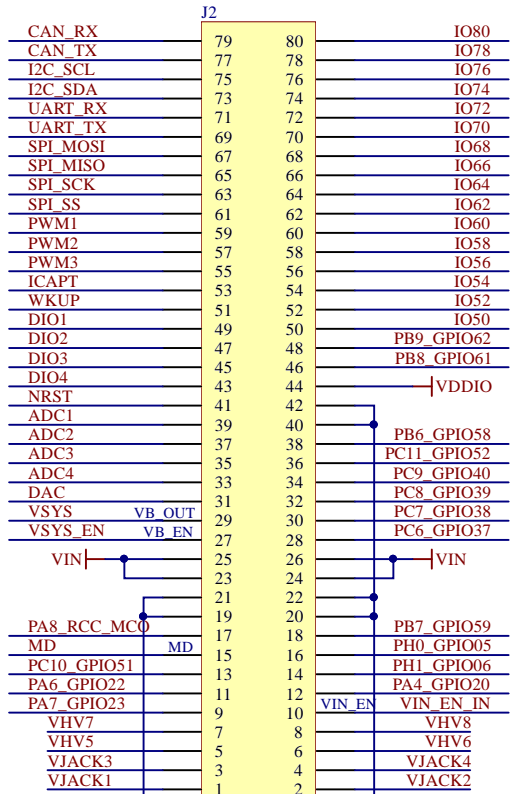


Title: <i>Block-Diagram</i>	Version: <i>1.0.1</i>	
Board: <i>Zest_Sensor_ECG</i>	Size: <i>A4</i>	
Project: <i>6TRON</i>	Sheet: <i>1 of 7</i>	
Author: <i>Olivier Chevalerias</i>	Date modified: <i>13/06/2022</i>	

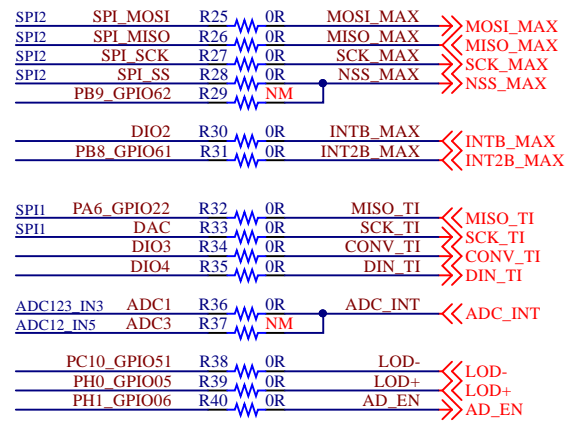


10144517-081802LF  
Top-mount

6TRON 80-pin interface headers

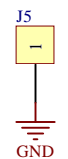
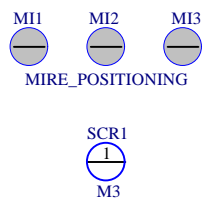


10144518-084802LF  
Bottom-mount

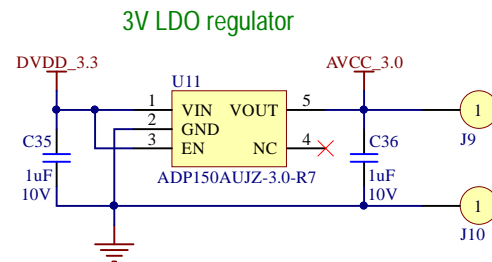
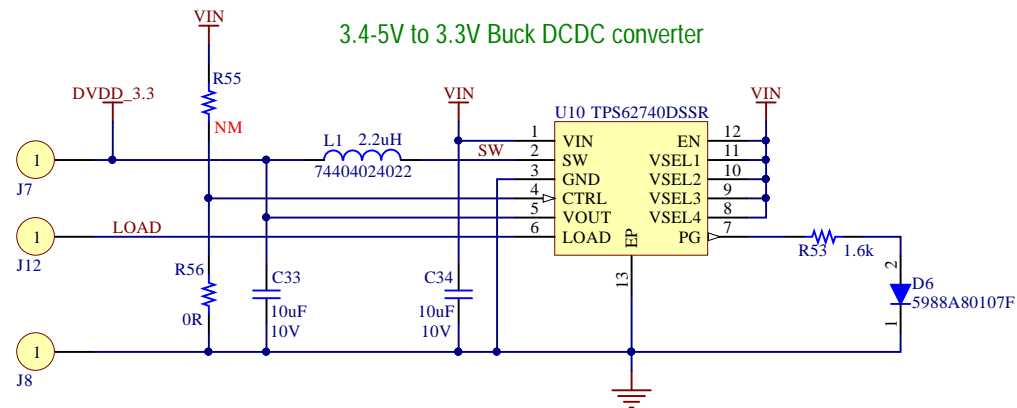




S1  
Logo CATIE  
LOGO\_CATIE

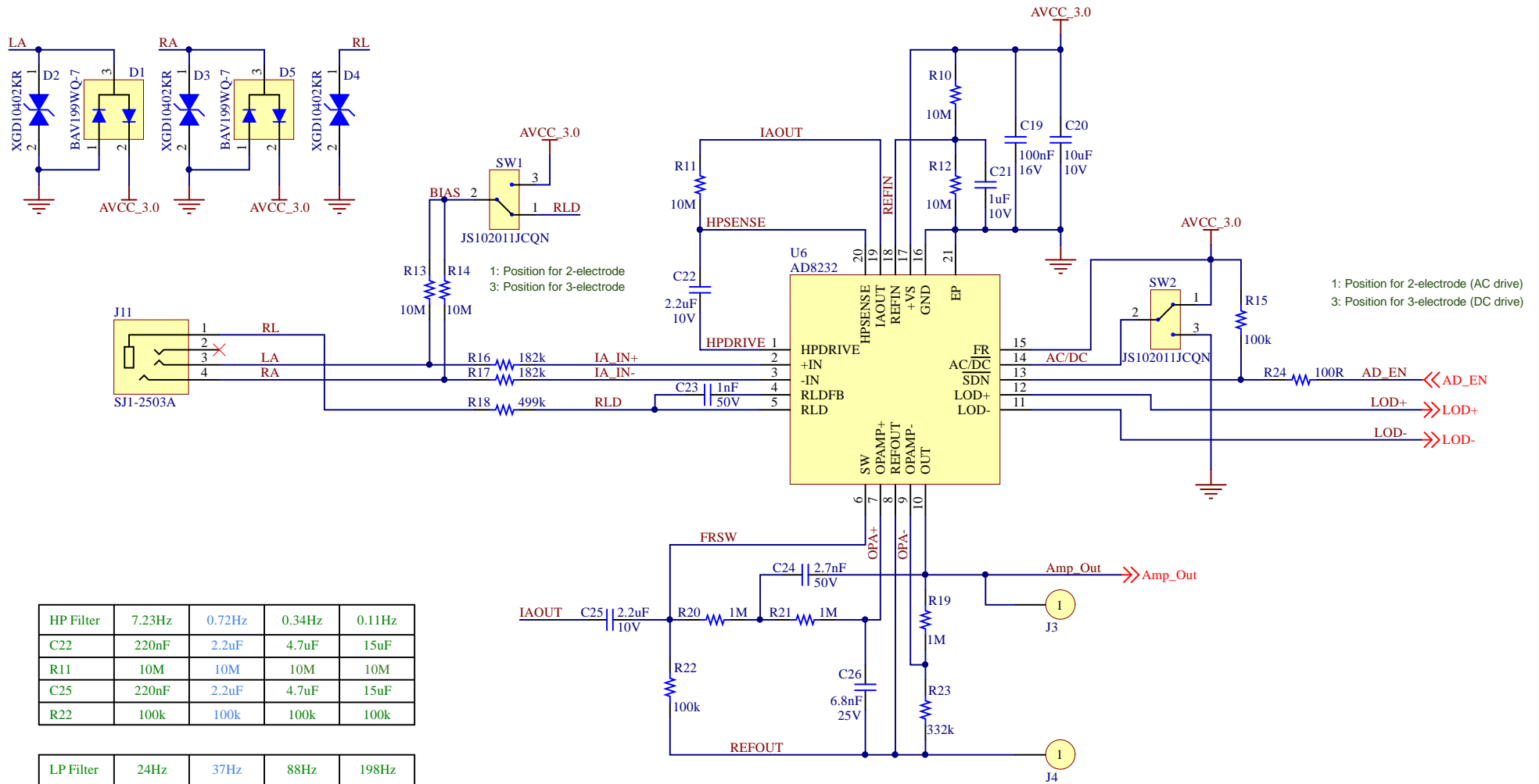
S2  
Logo 6TRON  
LOGO\_6TRON



Title: <i>Interface</i>	Version: <i>1.0.1</i>	
Board: <i>Zest_Sensor_ECG</i>	Size: <i>A4</i>	
Project: <i>6TRON</i>	Sheet: <i>2 of 7</i>	
Author: <i>Olivier Chevalerias</i>	Date modified: <i>13/06/2022</i>	



Title: <i>Power Supply</i>	Version: <i>1.0.1</i>	 Solutions pour la santé numérique
Board: <i>Zest_Sensor_ECG</i>	Size: <i>A4</i>	
Project: <i>6TRON</i>	Sheet: <i>3 of 7</i>	
Author: <i>Olivier Chevalerias</i>	Date modified: <i>13/06/2022</i>	



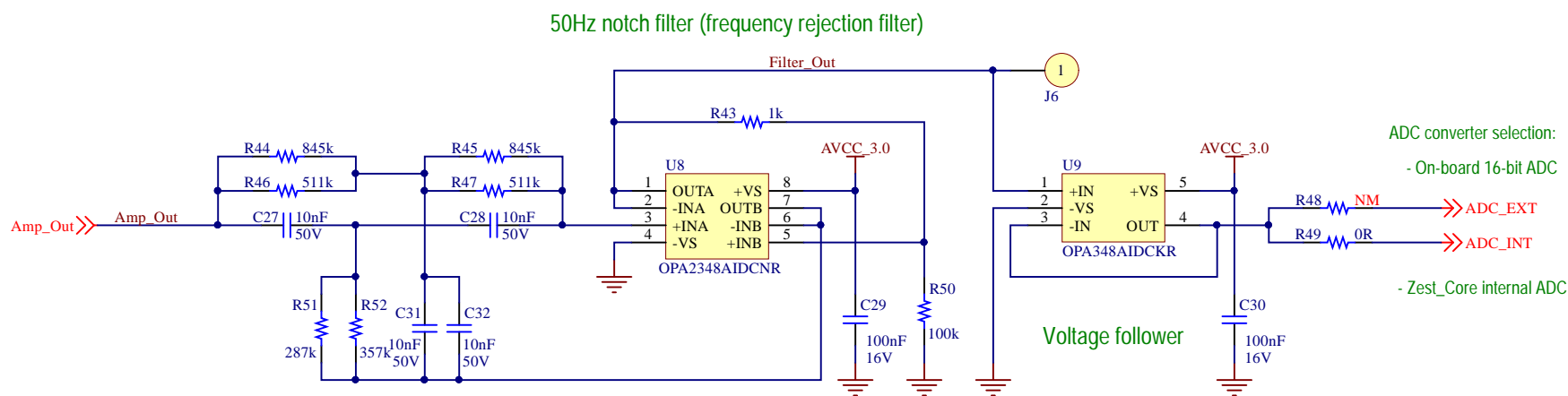
HP Filter	7.23Hz	0.72Hz	0.34Hz	0.11Hz
C22	220nF	2.2uF	4.7uF	15uF
R11	10M	10M	10M	10M
C25	220nF	2.2uF	4.7uF	15uF
R22	100k	100k	100k	100k



LP Filter	24Hz	37Hz	88Hz	198Hz
R20	220k	1M	360k	150k
C26	22nF	6.8nF	10nF	10nF
R21	1M	1M	270k	130k
C24	10nF	2.7nF	3.3nF	3.3nF

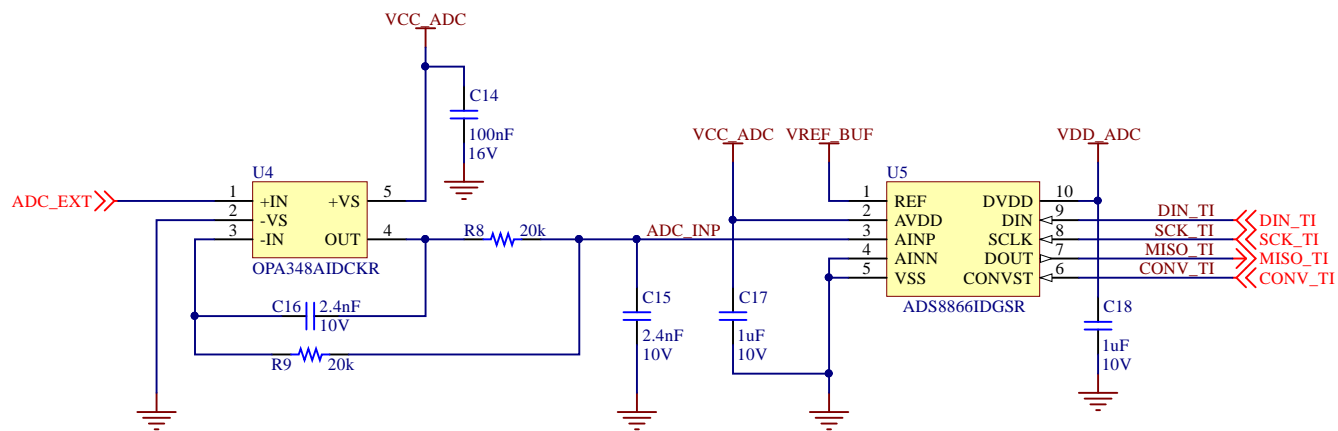
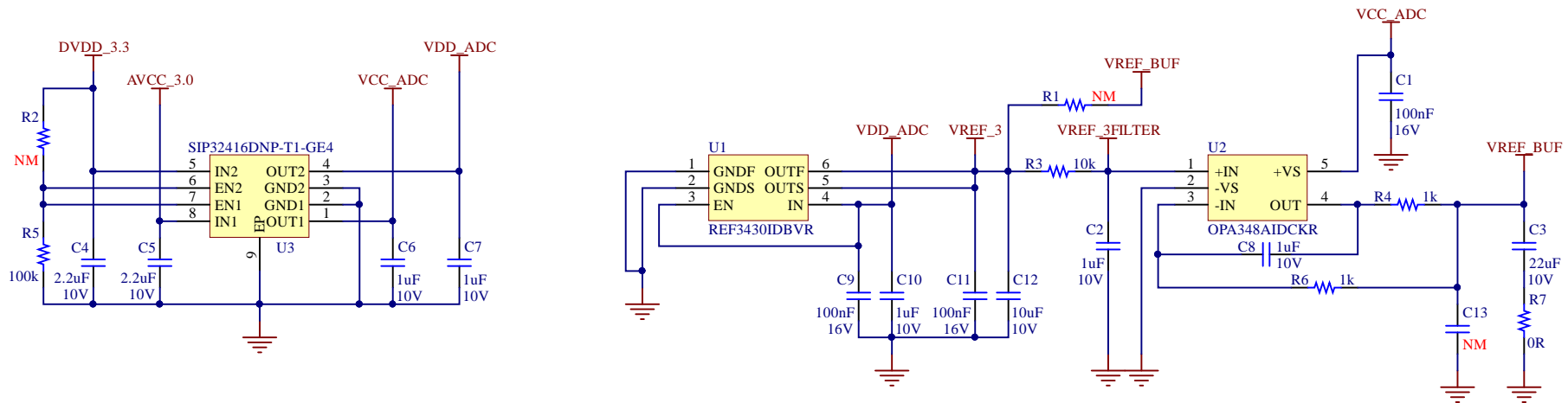
Gain	10	6.6	4
R19	1M	1M	1M
R23	100k	180k	332k



Title: <i>Analogue front-end - AD8232</i>	Version: 1.0.1	
Board: <i>Zest_Sensor_ECG</i>	Size: A4	
Project: <i>6TRON</i>	Sheet: 4 of 7	
Author: <i>Olivier Chevalerias</i>	Date modified: 13/06/2022	

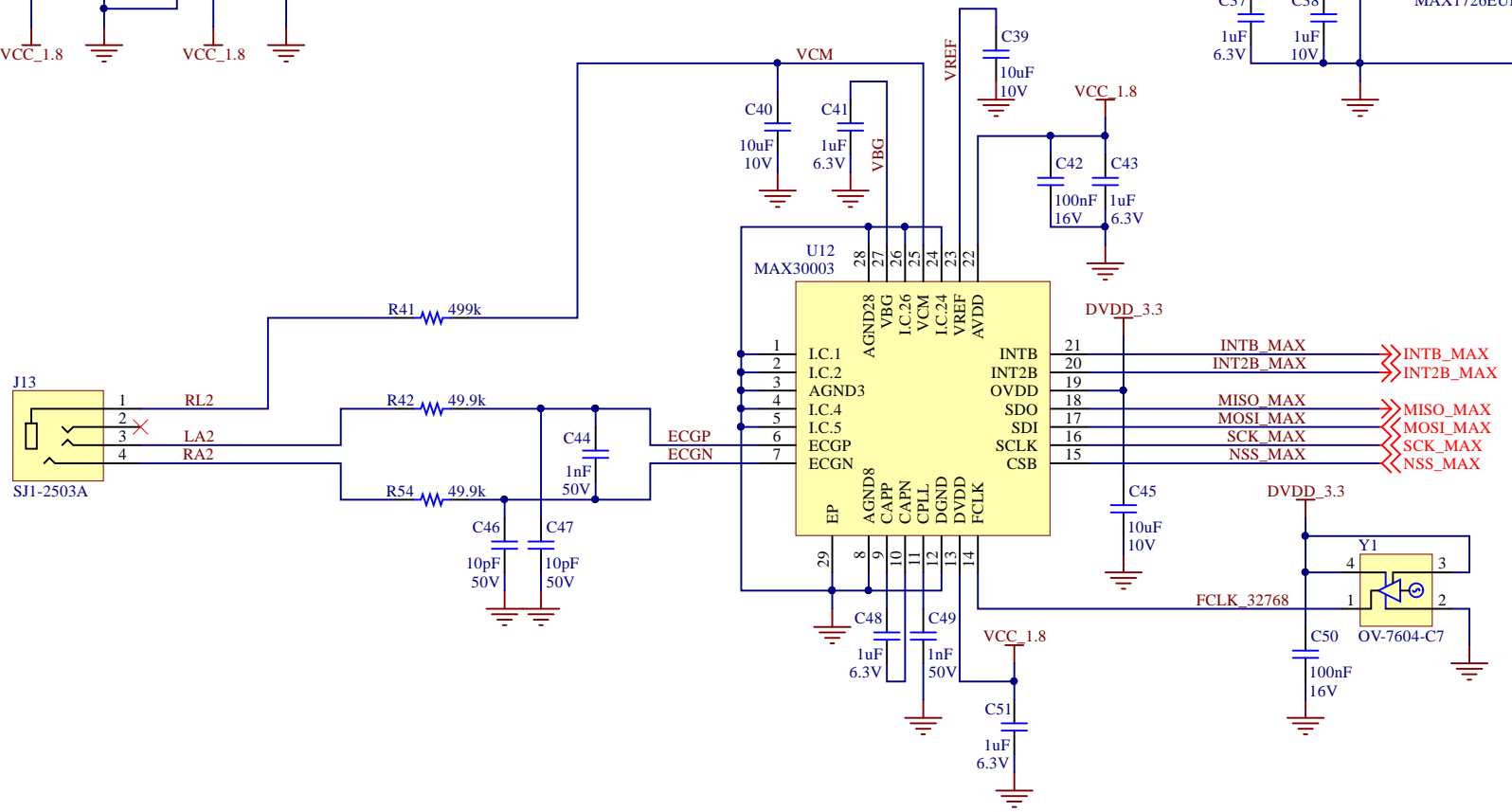
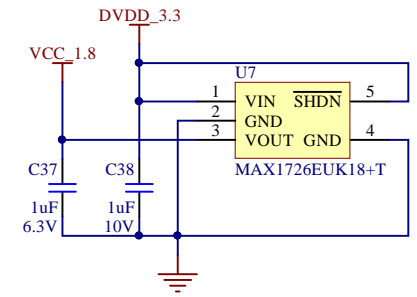
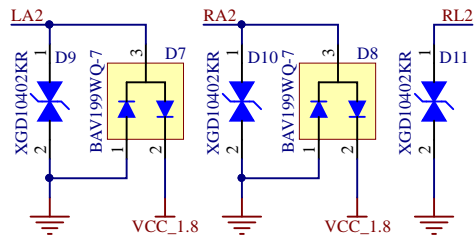




Title: <i>Frequency reject (Notch) Filter</i>	Version: 1.0.1	
Board: <i>Zest_Sensor_ECG</i>	Size: A4	
Project: <i>6TRON</i>	Sheet: 5 of 7	
Author: <i>Olivier Chevalerias</i>	Date modified: 13/06/2022	



Title: AD8866 External ADC	Version: 1.0.1	
Board: Zest_Sensor_ECG	Size: A4	
Project: 6TRON	Sheet: 6 of 7	
Author: Olivier Chevalerias	Date modified: 13/06/2022	
		



Title: <i>Analogue front-end - MAX30003</i>	Version: <i>1.0.1</i>	
Board: <i>Zest_Sensor_ECG</i>	Size: <i>A4</i>	
Project: <i>6TRON</i>	Sheet: <i>7 of 7</i>	
Author: <i>Olivier Chevalerias</i>	Date modified: <i>23/07/2020</i>	

