

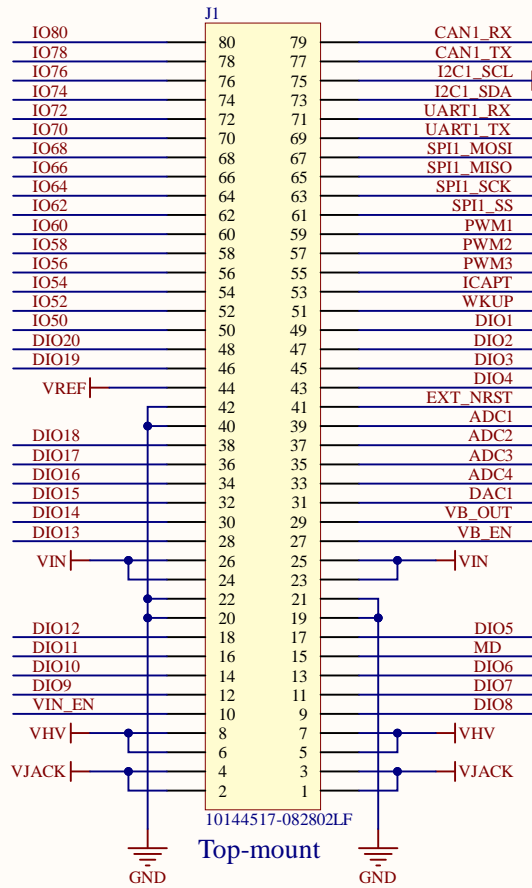
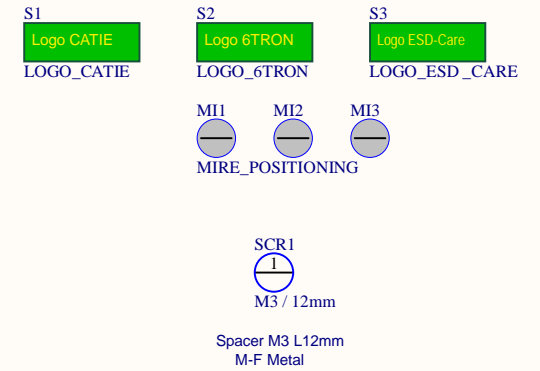
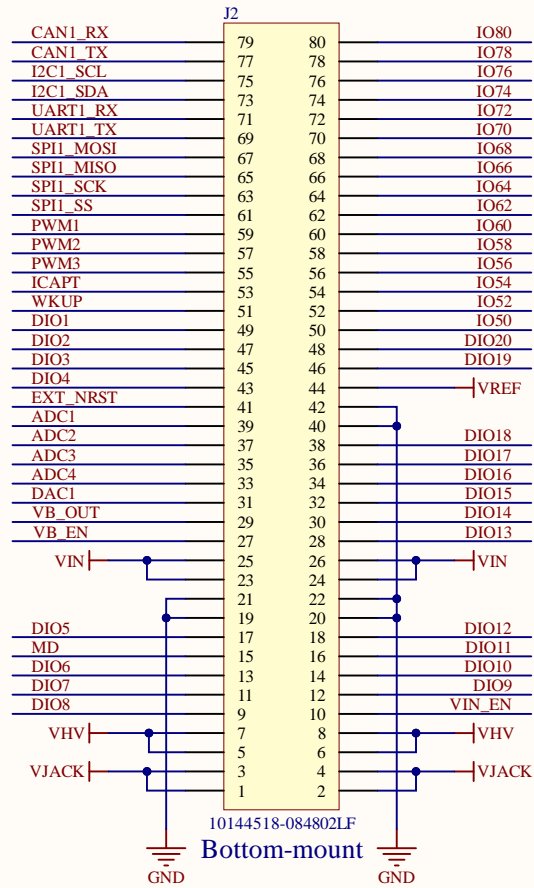


Title: <i>Block Diagram</i>	Version: <i>1.0.1</i>	
Board: <i>Zest_Sensor_CO2</i>	Size: <i>A4</i>	
Project: <i>6TRON</i>	Sheet: <i>1 of 3</i>	
Author: <i>SGA</i>	Date modified: <i>23/12/2021</i>	

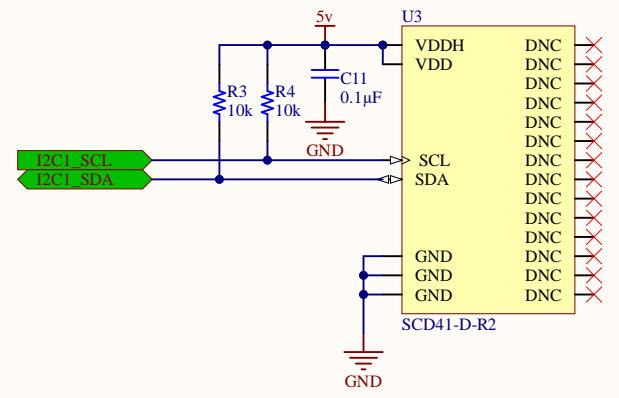
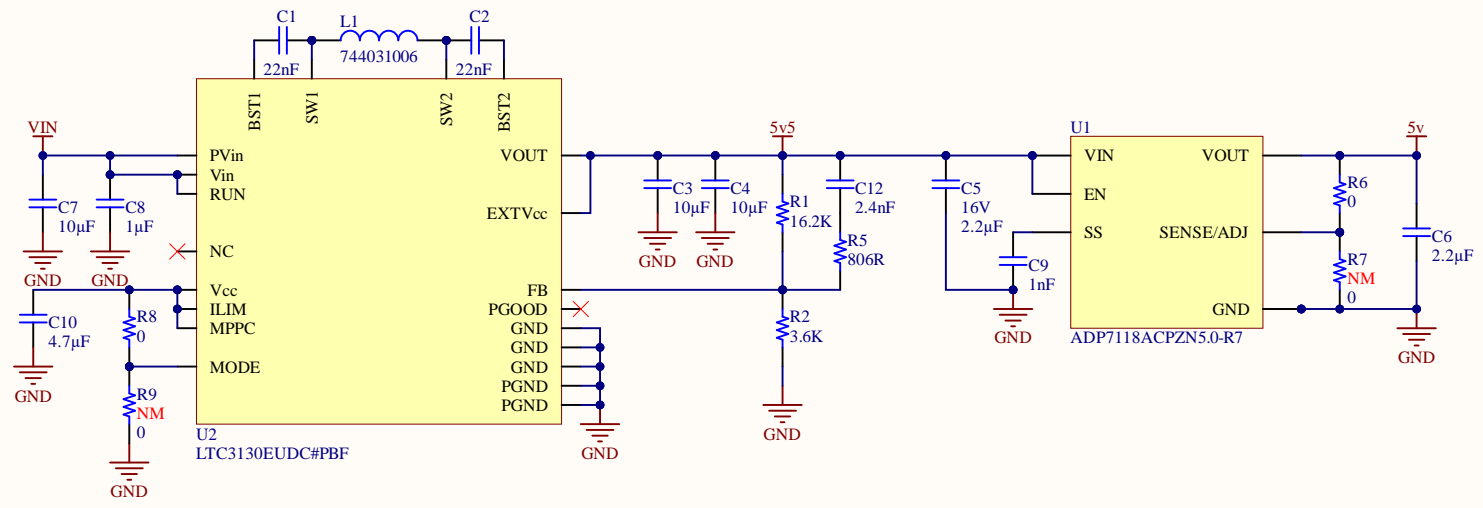




I2C1_SCL
I2C1_SDA



Title: <i>Interconnect</i>	Version: <i>1.0.1</i>	
Board: <i>Zest_Sensor_CO2</i>	Size: <i>A4</i>	
Project: <i>6TRON</i>	Sheet: <i>2 of 3</i>	
Author: <i>SGA</i>	Date modified: <i>04/01/2022</i>	

CC BY 4.0



Title: <i>Sensor</i>	Version: <i>1.0.1</i>	
Board: <i>Zest_Sensor_CO2</i>	Size: <i>A4</i>	
Project: <i>6TRON</i>	Sheet: <i>3 of 3</i>	
Author: <i>SGA</i>	Date modified: <i>04/01/2022</i>	