

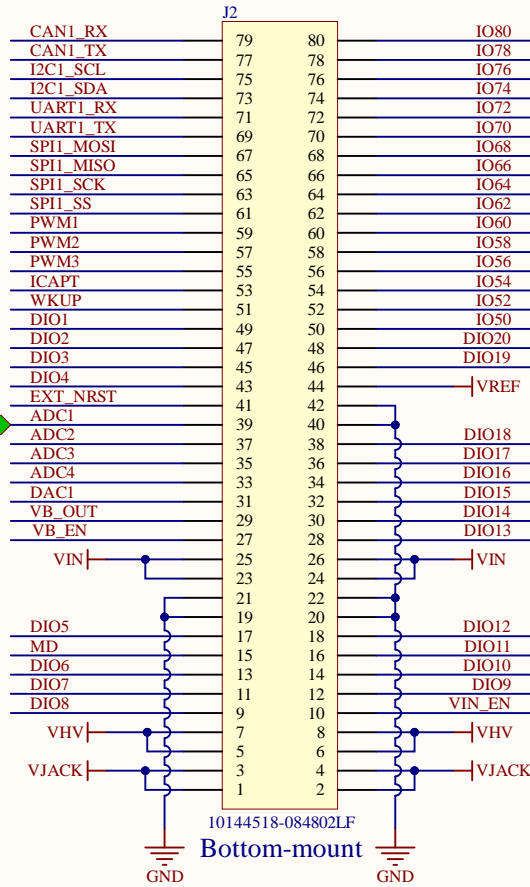
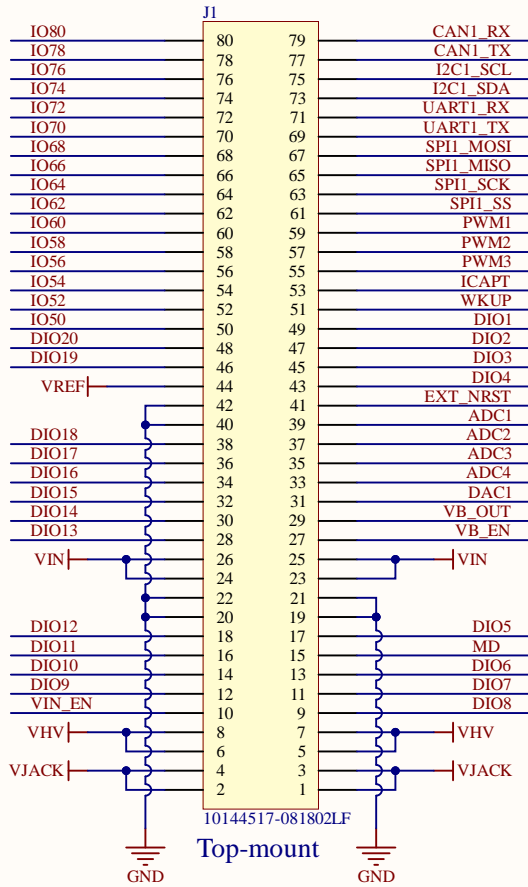


Title: <i>Diagram</i>	Version: <i>1.0.0</i>	
Board: <i>Zest_Sensor_Audio-PDM</i>	Size: <i>A4</i>	
Project: <i>6TRON</i>	Sheet: <i>1 of 4</i>	
Author: <i>Thomas Borie</i>	Date modified: <i>30/08/2021</i>	

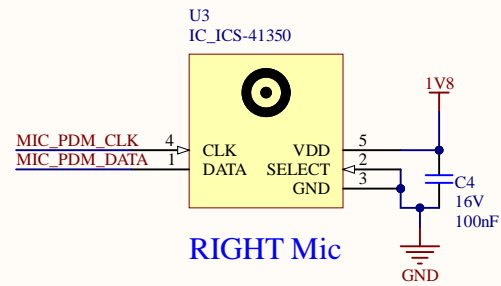
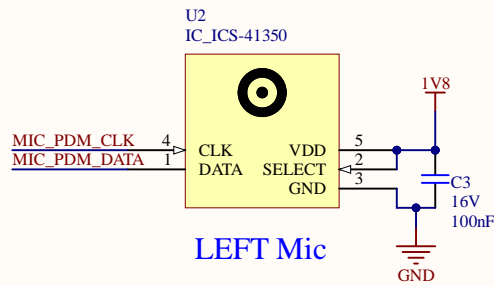
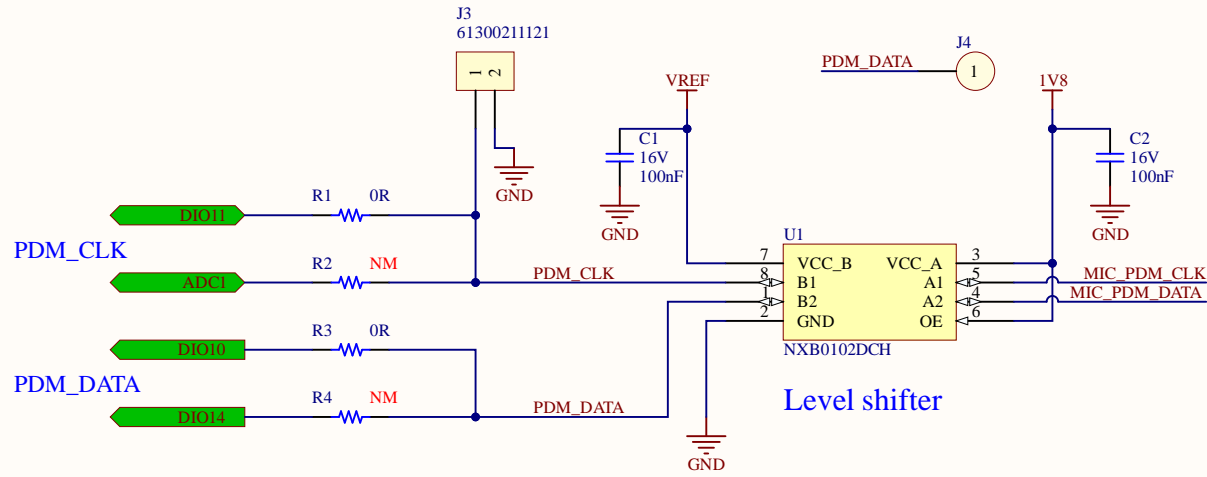


Compatible Zest_Core	Clock *		Data	
	R1	R2	R3	R4
Zest_Core_L4A6RG		X		X
After 6tron BUS 3.1 Zest_Core_L562VE	X		X	

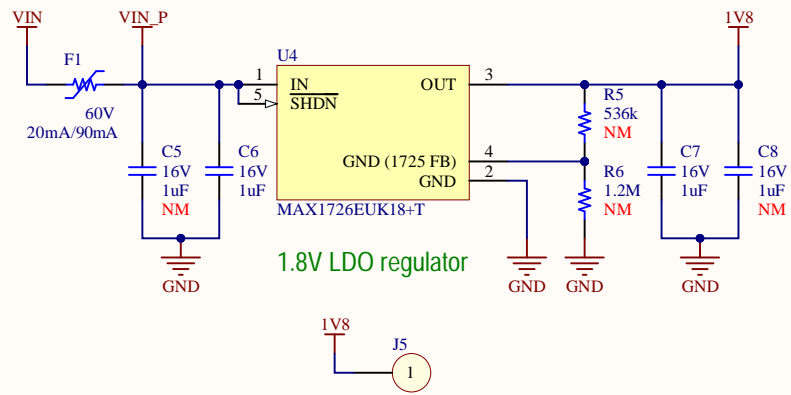
* If external clock in, do not mount R1 and R2





Title: <i>Interconnect</i>	Version: <i>1.0.0</i>	
Board: <i>Zest_Sensor_Audio-PDM</i>	Size: <i>A4</i>	
Project: <i>6TRON</i>	Sheet: <i>2 of 4</i>	
Author: <i>Thomas Borie</i>	Date modified: <i>31/08/2021</i>	



Title: <i>Microphones</i>	Version: <i>1.0.0</i>	
Board: <i>Zest_Sensor_Audio-PDM</i>	Size: <i>A4</i>	
Project: <i>6TRON</i>	Sheet: <i>3 of 4</i>	
Author: <i>Thomas Borie</i>	Date modified: <i>31/08/2021</i>	



1.8V LDO regulator

Title: <i>Power</i>	Version: <i>1.0.0</i>	
Board: <i>Zest_Sensor_Audio-PDM</i>	Size: <i>A4</i>	
Project: <i>6TRON</i>	Sheet: <i>4 of 4</i>	
Author: <i>Thomas Borie</i>	Date modified: <i>30/08/2021</i>	