

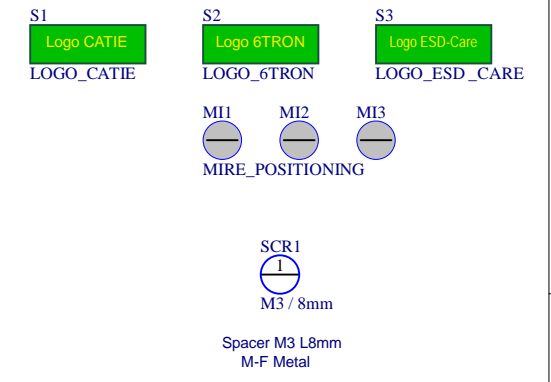
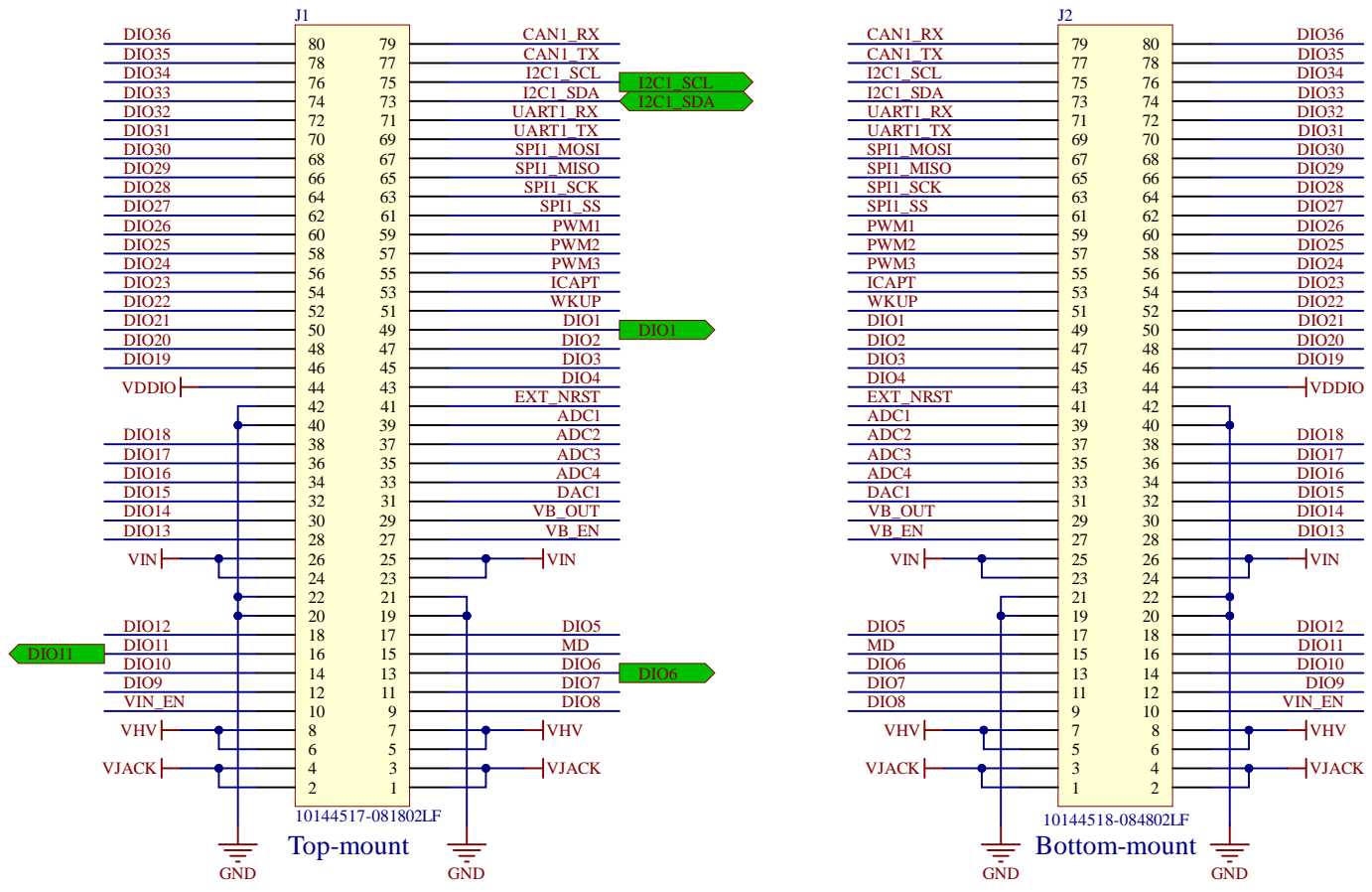


Title: <i>Block Diagram</i>	Version: <i>1.0.1</i>	
Board: <i>Zest_Security_SecureElement</i>	Size: <i>A4</i>	
Project: <i>6TRON</i>	Sheet: <i>1 of 3</i>	
Author: <i>SGA</i>	Date modified: <i>25/10/2022</i>	

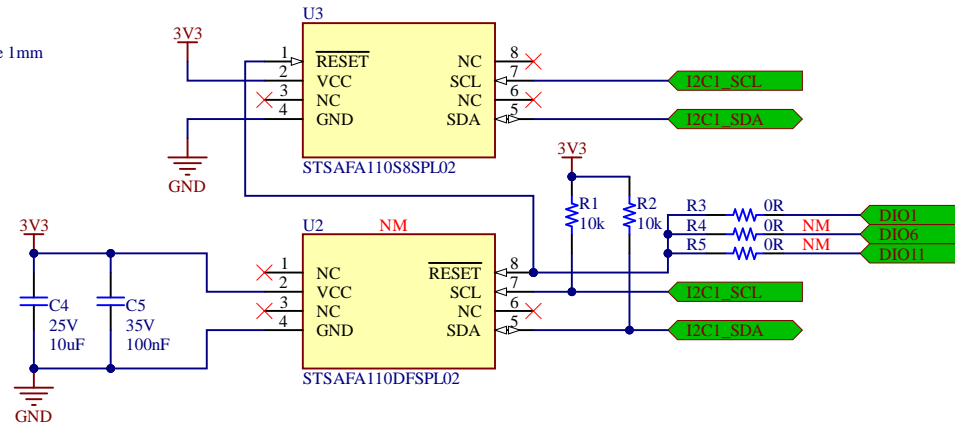
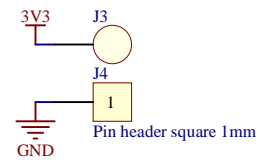
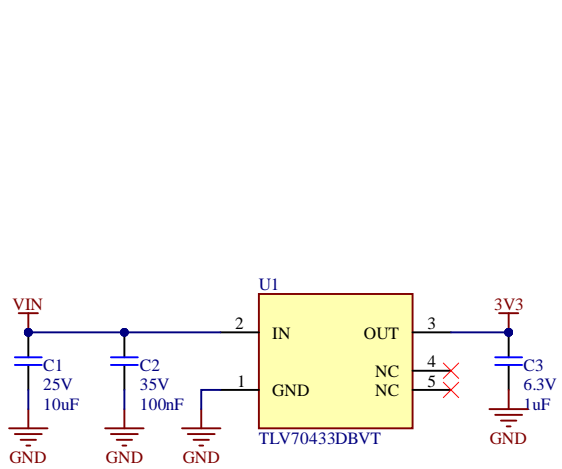


Signal	R3	R4	R5	Pin
/RESET	X*			DIO1
		X		DIO6
			X	DIO11



* : By default

Title: <i>Interconnect</i>	Version: <i>1.0.1</i>	
Board: <i>Zest_Security_SecureElement</i>	Size: <i>A4</i>	
Project: <i>6TRON</i>	Sheet: <i>2 of 3</i>	
Author: <i>SGA</i>	Date modified: <i>25/10/2022</i>	





I2C Address : 0x20

Title: IC	Version: 1.0.1	 
Board: Zest_Security_SecureElement	Size: A4	
Project: 6TRON	Sheet: 3 of 3	
Author: SGA	Date modified: 07/12/2022	