

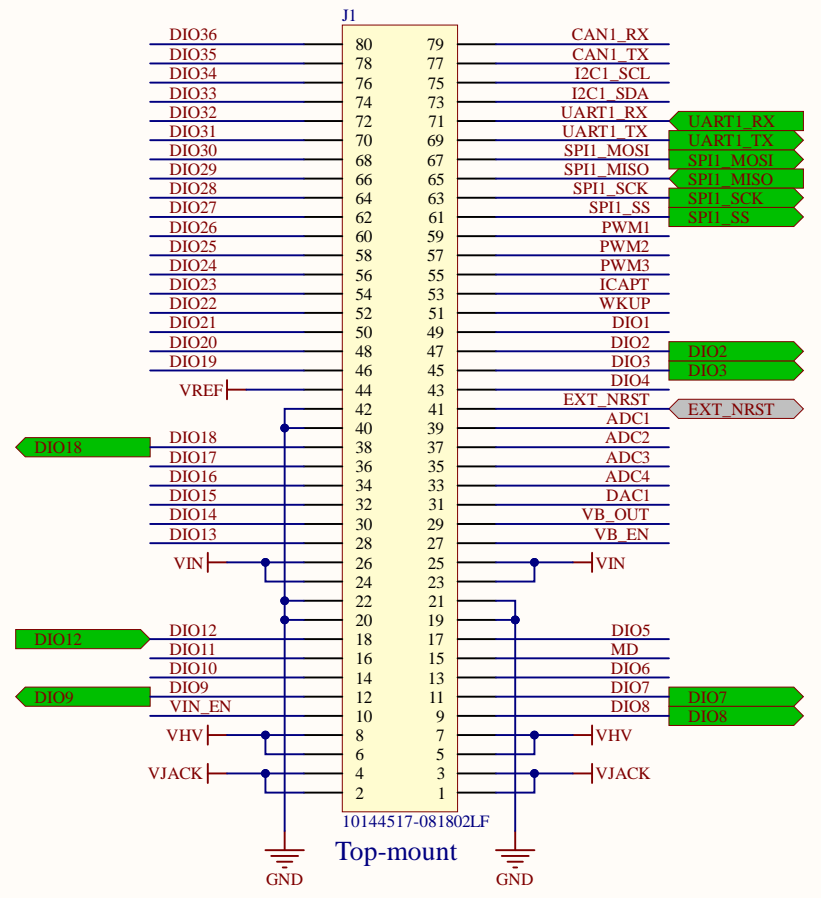
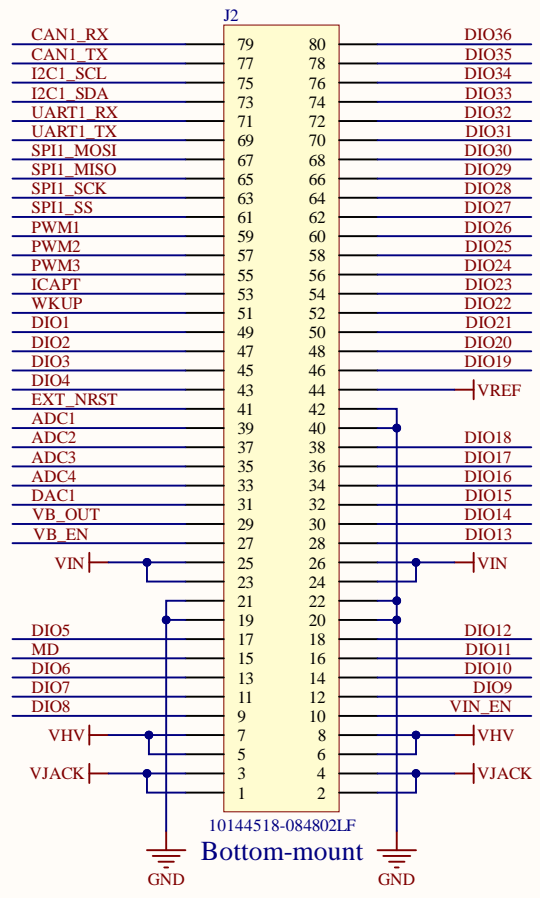


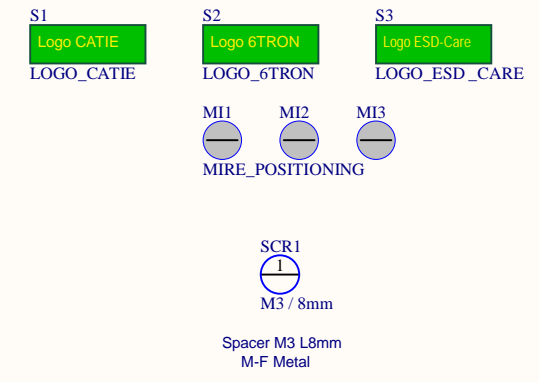
Title: <i>Block Diagram</i>	Version: <i>1.0.0</i>	
Board: <i>Zest_Radio_WiFi</i>	Size: <i>A4</i>	
Project: <i>6TRON</i>	Sheet: <i>1 of 3</i>	
Author: <i>SGA</i>	Date modified: <i>03/03/2022</i>	



10144517-081802LF
Top-mount



10144518-084802LF
Bottom-mount



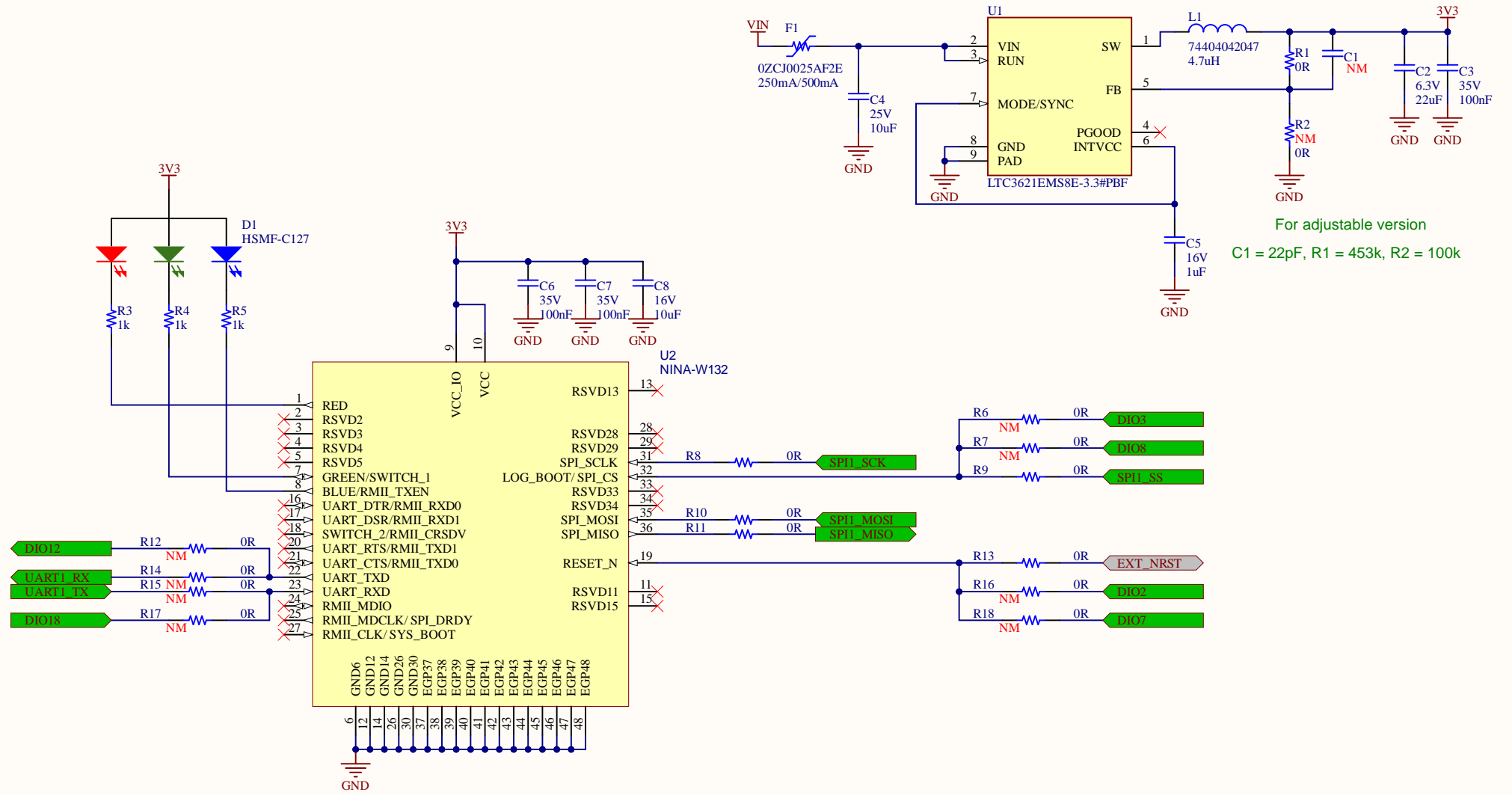
Signal	R13	R16	R18	Pin
RESET	X*			EXT_NRST
		X		DIO2
			X	DIO7

Signal	R6	R7	R9	Pin
SPI_CS	X			DIO3
		X		DIO8
			X*	SPI1_SS

Signal	R15	R17	Pin
UART_TX	X*		UART1_TX
		X	DIO18

Signal	R12	R14	Pin
UART_RX	X		DIO12
		X*	UART1_RX

* : By default



For adjustable version
 C1 = 22pF, R1 = 453k, R2 = 100k

Title: <i>Module</i>		Version: <i>1.0.0</i>	
Board: <i>Zest_Radio_WiFi</i>		Size: <i>A4</i>	
Project: <i>6TRON</i>		Sheet: <i>3 of 3</i>	
Author: <i>SGA</i>		Date modified: <i>17/03/2022</i>	

