



Title: <i>Diagram</i>	Version: <i>1.0.0</i>	 
Board: <i>Zest_Interface_RS485_Isolated</i>	Size: <i>A4</i>	
Project: <i>6Tron</i>	Sheet: <i>1 of 4</i>	
Author: <i>AND</i>	Date modified: <i>05/06/2020</i>	

A

B

C

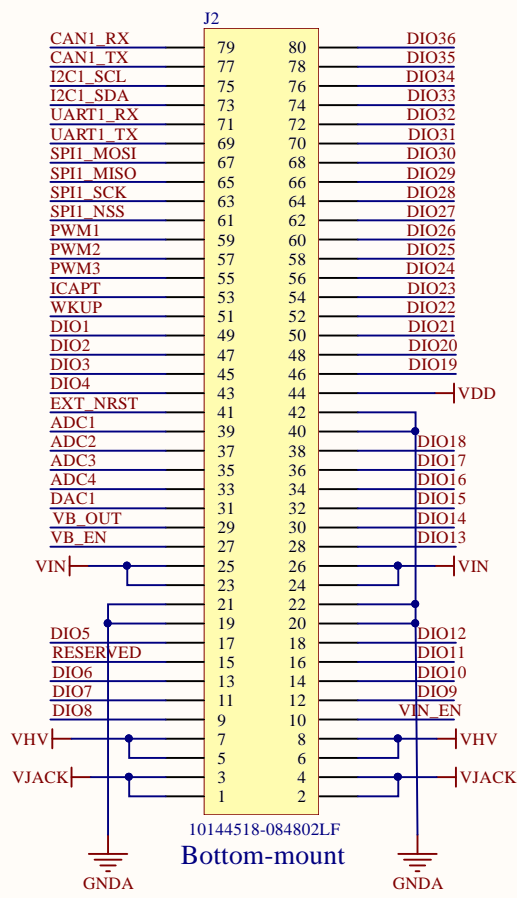
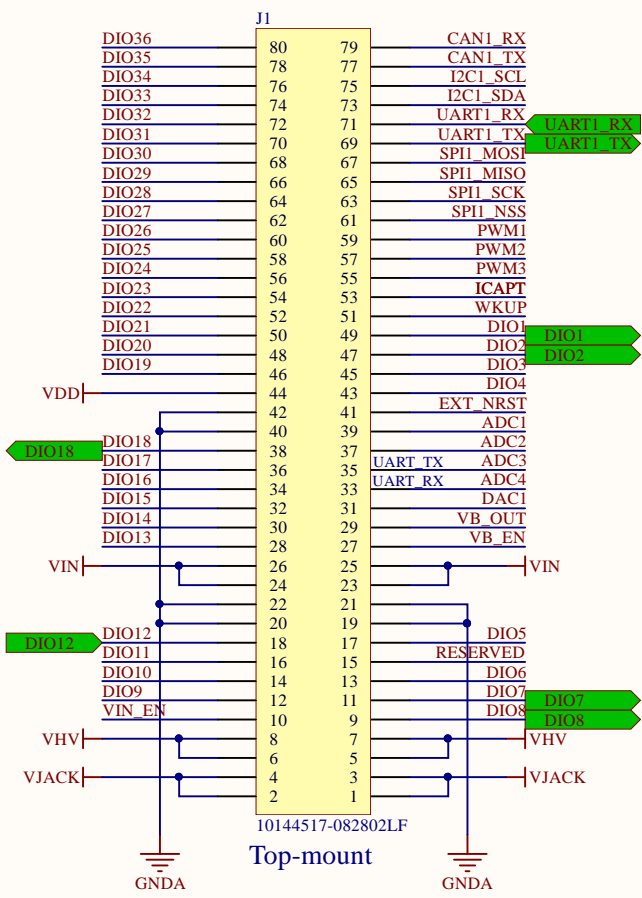
D

A

B

C

D



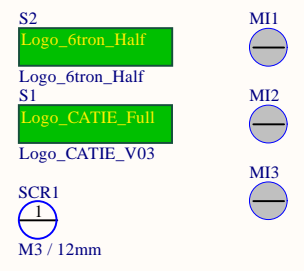
CONFIGURATION

TXD	R4	R6	UART1_TX
	0R	NM	DIO18

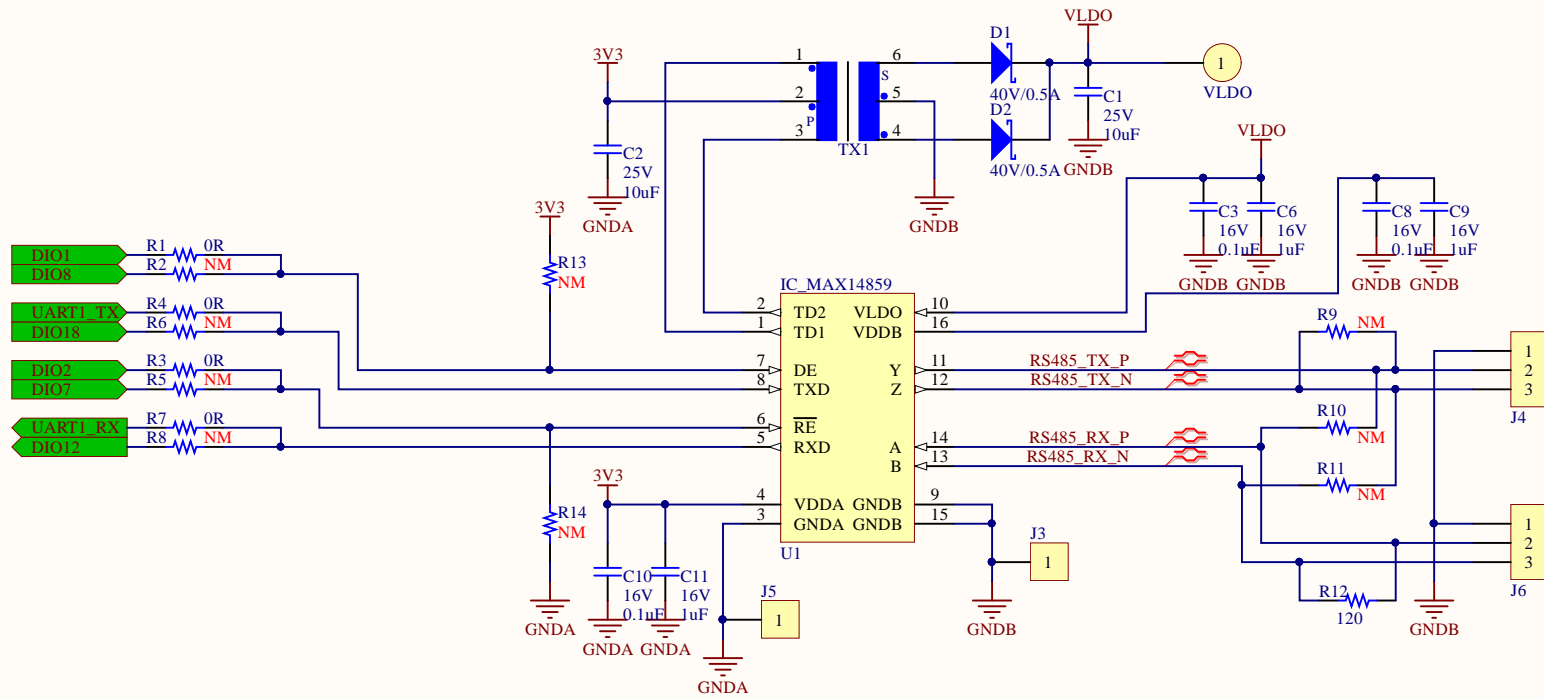
RXD	R7	R8	UART1_RX
	0R	NM	DIO12



DE	R1	R2	DIO1
	0R	NM	DIO8

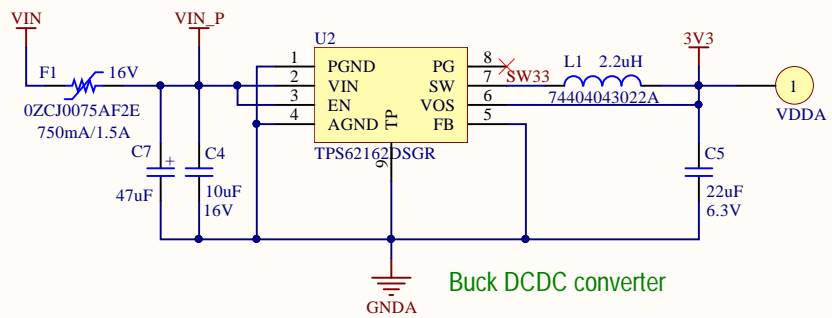
/RE	R3	R5	DIO2
	0R	NM	DIO7





Title: <i>Interconnect</i>	Version: <i>1.0.0</i>	
Board: <i>Zest_Interface_RS485_Isolated</i>	Size: <i>A4</i>	
Project: <i>6Tron</i>	Sheet: <i>2 of 4</i>	
Author: <i>AND</i>	Date modified: <i>09/09/2020</i>	



Title: Drivers	Version: 1.0.0	 
Board: Zest_Interface_RS485_Isolated	Size: A4	
Project: 6Tron	Sheet: 3 of 4	
Author: AND	Date modified: 09/09/2020	



Title: <i>Power</i>	Version: <i>1.0.0</i>	
Board: <i>Zest_Interface_RS485_Isolated</i>	Size: <i>A4</i>	
Project: <i>6Tron</i>	Sheet: <i>4 of 4</i>	
Author: <i>AND</i>	Date modified: <i>05/08/2020</i>	