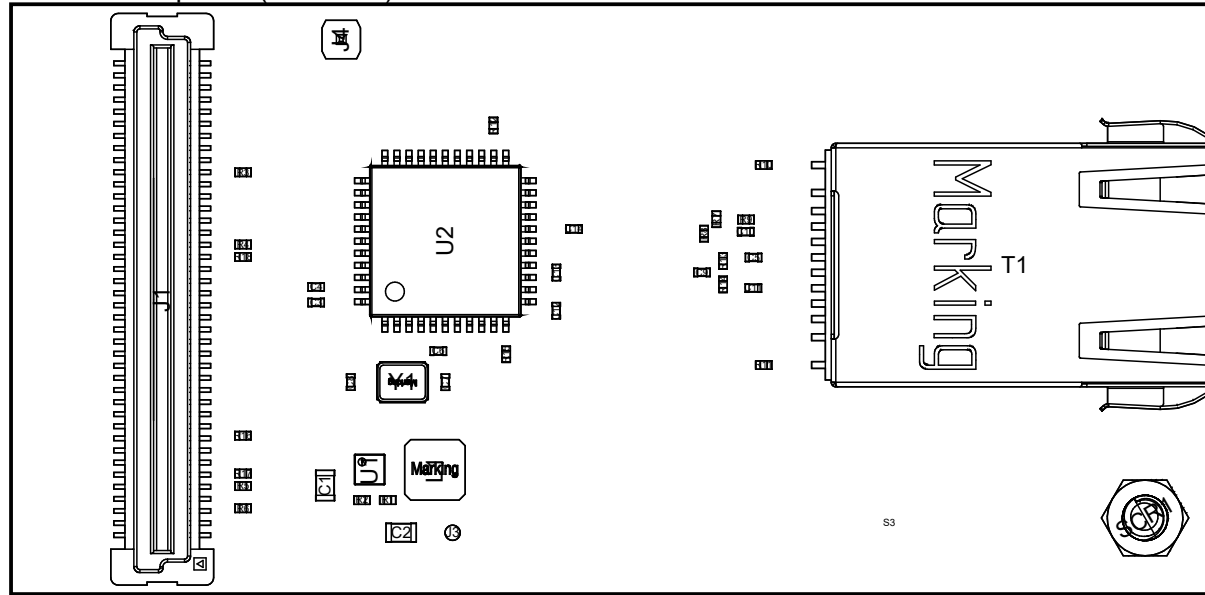

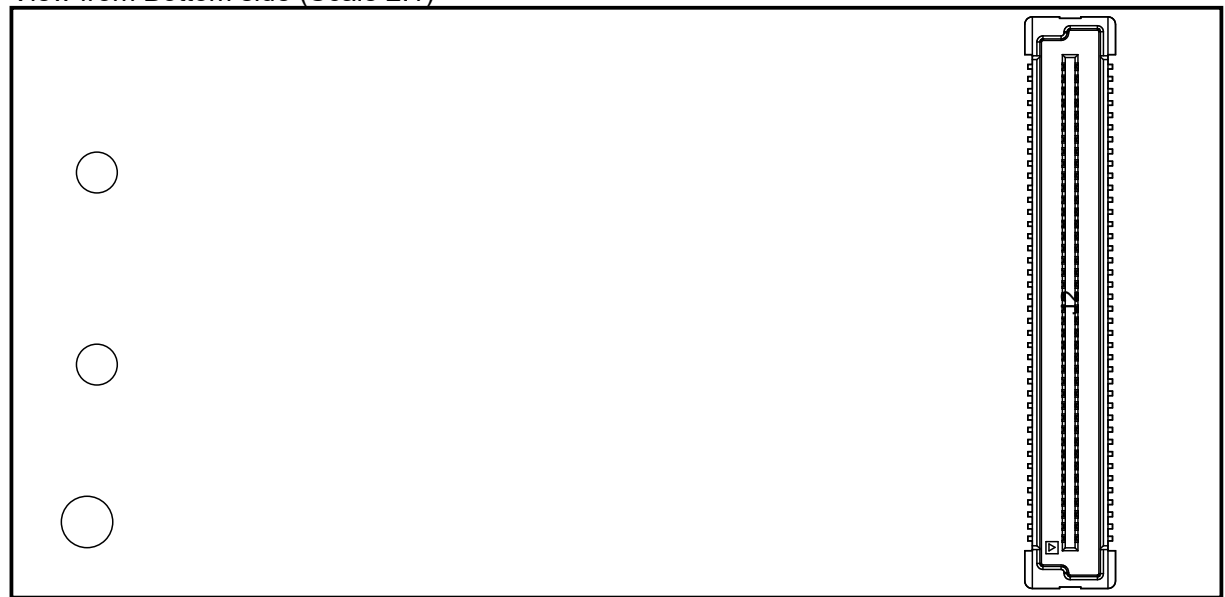



View from Top side (Scale 2:1)

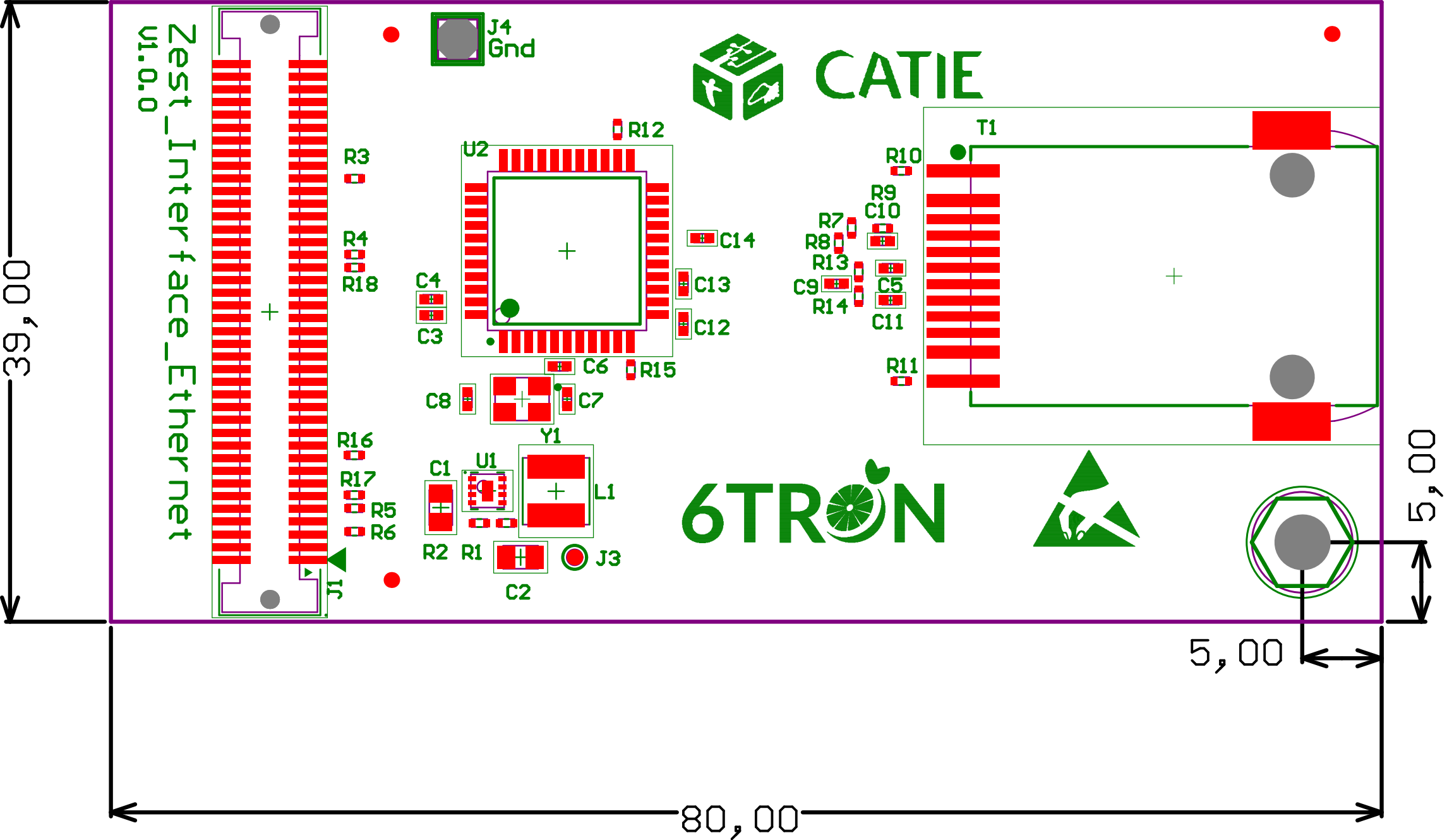


| | | |
|---------------------------------------|------------------|---|
| Title: <i>Assembly Drawing</i> | Version: 1.0.0 |  |
| Board: <i>Zest_Interface_Ethernet</i> | Size: A4 | |
| Project: <i>6TRON</i> | Sheet: 1 of 2 | |
| Author: <i>SGA</i> | Date: 14/12/2020 | |

View from Bottom side (Scale 2:1)



| | | |
|---------------------------------------|-------------------------|---|
| Title: <i>Assembly Drawing</i> | Version: <i>1.0.0</i> |  |
| Board: <i>Zest_Interface_Ethernet</i> | Size: <i>A4</i> | |
| Project: <i>6TRON</i> | Sheet: <i>2 of 2</i> | |
| Author: <i>SGA</i> | Date: <i>14/12/2020</i> | |



Top Overlay

Zest_Interface_Ethernet V1.0.0

Board Edge

Board thickness : 1.55mm

Mecanical

Nbr Layers: 4

Copper finish: 35u

Min track width/clearance: 0.20mm

Min finished hole diameter: 0.15mm

Min drilling diameter: 0.25mm

Min Annular ring: 0.125mm

Hole density < 1500/dm²

Min milling tool diameter: 0.5mm

Surface finish: Ni/Au selective

Soldermask: Blue

Board Edge

Test_Interface_Ethernet V1.0.0

Mechanical

Board thickness : 1.5mm Nbr Layers: 4

Copper finish: 35u

Min track width\clearance: 0.20mm

Min finished hole diameter: 0.15mm

Min drilling diameter: 0.25mm

Min Annular ring: 0.125mm

Hole density > 1500\dm²

Min milling tool diameter: 0.5mm

Surface finish: Ni\Au selective

Soldermask: Blue

Bottom Overlay

