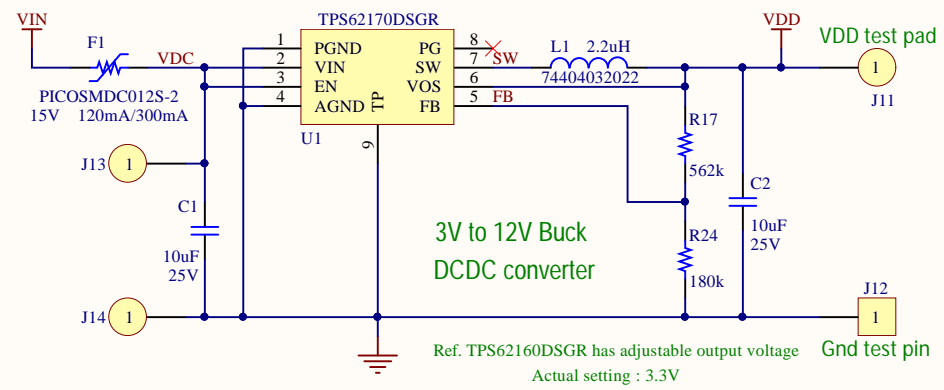
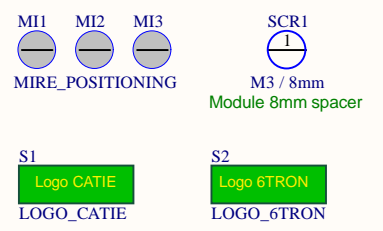


Footprint is compatible with 6-pin and 7-pin SPI.  
 For standard 6-pin SPI, mount ref:  
 - Header: SM06B-NSHSS-TB (LF)(SN)  
 - Female housing: NSHR-06V-S  
 For special 7-pin SPI, mount ref:  
 - Header: SM07B-NSHSS-TB (LF)(SN)  
 - Female housing: NSHR-07V-S



Title: <i>Interface</i>	Version: <i>1.0.0</i>	
Board: <i>Zest_Extension_SPI</i>	Size: <i>A4</i>	
Project: <i>6TRON</i>	Sheet: <i>1 of 1</i>	
Author: <i>OC</i>	Date modified: <i>28/10/2019</i>	

