

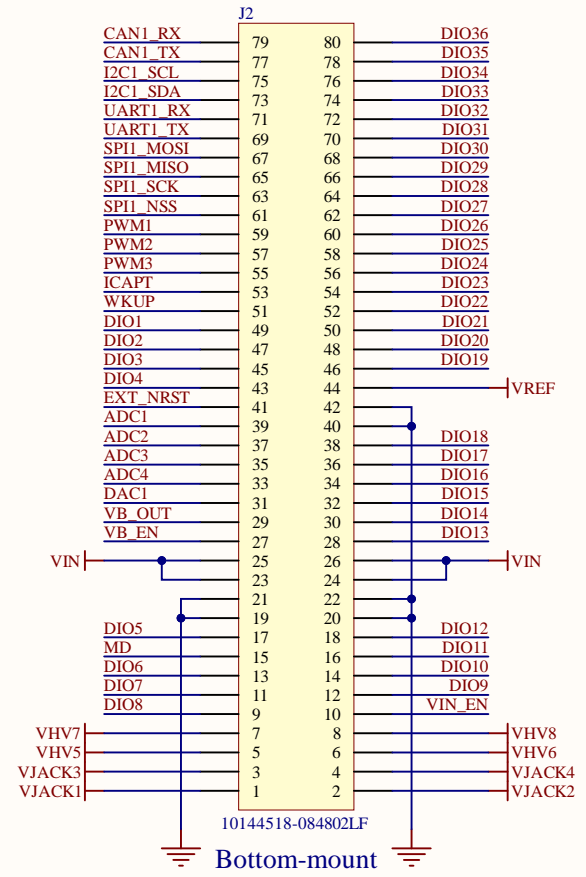
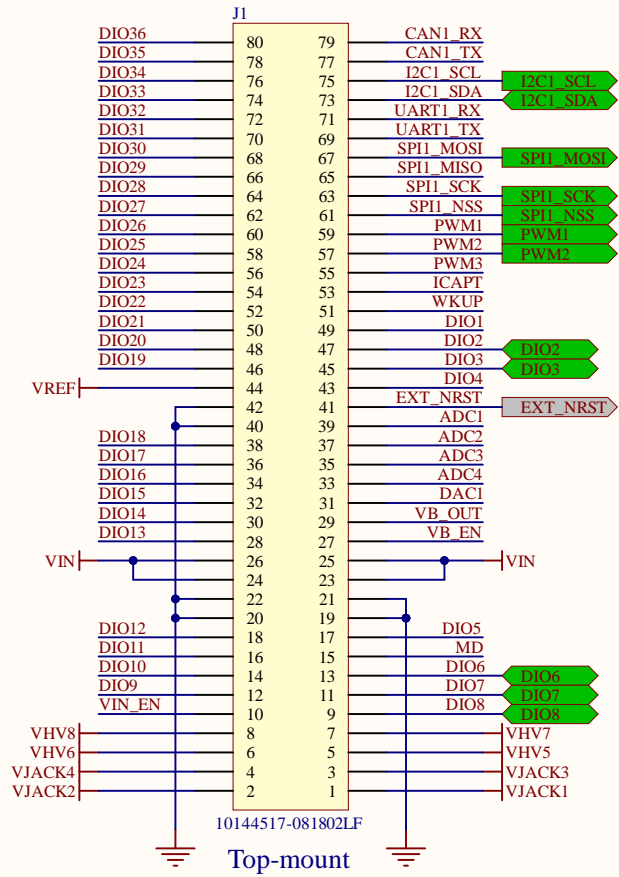


Title: <i>Block Diagram</i>	Version: <i>1.1.0</i>	 
Board: <i>Zest_Display_LCD</i>	Size: <i>A4</i>	
Project: <i>6TRON</i>	Sheet: <i>1 of 4</i>	
Author: <i>SGA</i>	Date modified: <i>19/05/2022</i>	



Signal	R7	R8	Pin
LCD_SPI_NSS	X*		SPI1_NSS
		X	DIO8

Signal	R12	R13	Pin
LCD_SPI_D/CX	X*		DIO2
		X	DIO6

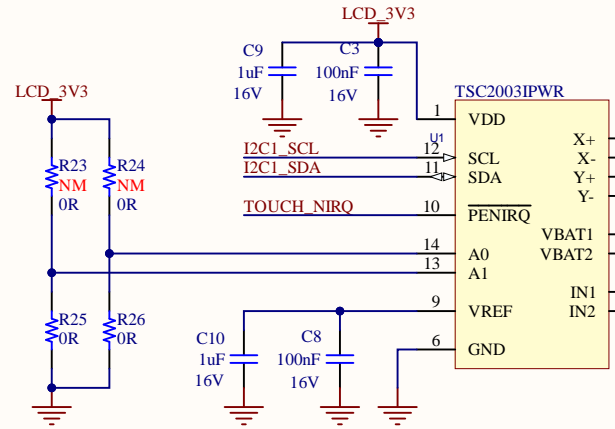
Signal	R14	R17	Pin
TOUCH_NIRQ	X*		DIO3
		X	DIO7

Signal	R19	R20	Pin
LCD_PWM	X*		PWM1
		X	PWM2

* : By default

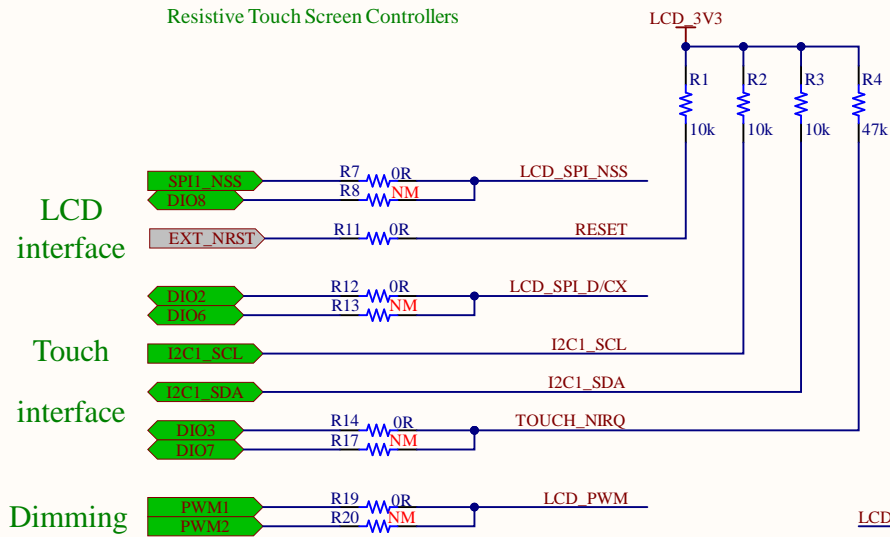


Title: <i>Interconnect</i>	Version: <i>1.1.0</i>	
Board: <i>Zest_Display_LCD</i>	Size: <i>A4</i>	
Project: <i>6TRON</i>	Sheet: <i>2 of 4</i>	
Author: <i>SGA</i>	Date modified: <i>26/01/2022</i>	



I2C Address configuration

Resistive Touch Screen Controllers

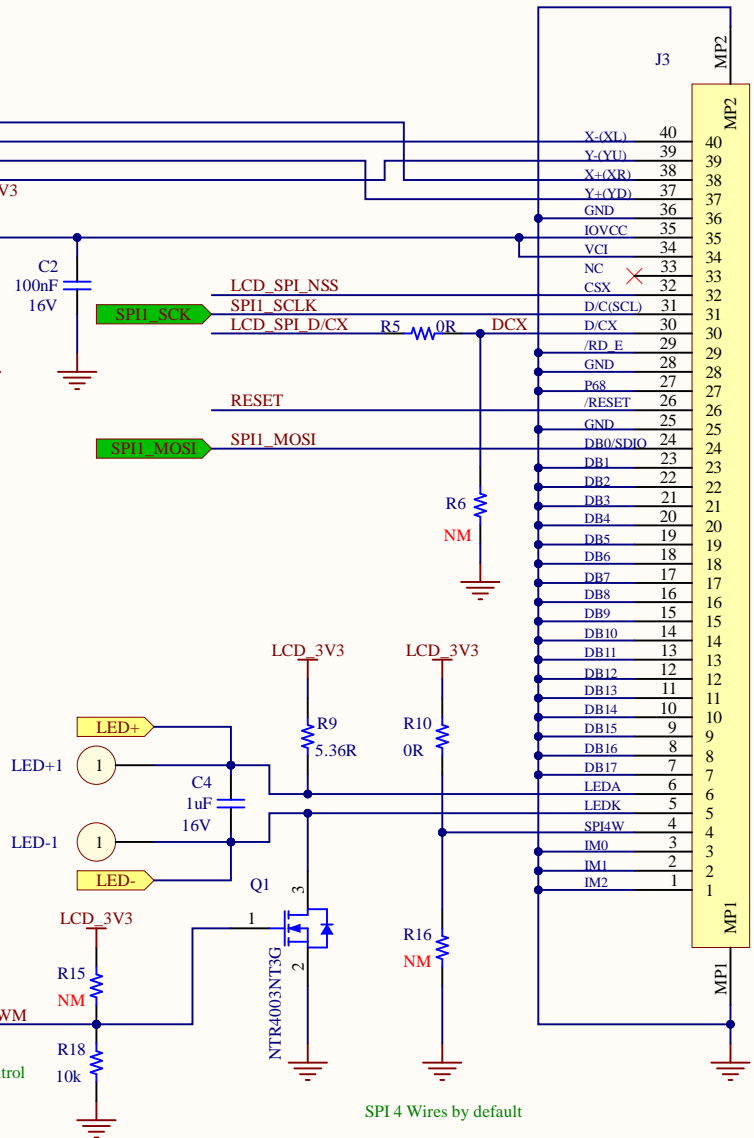


LCD interface

Touch interface

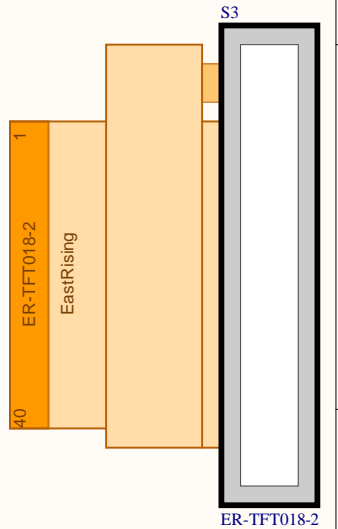
Dimming

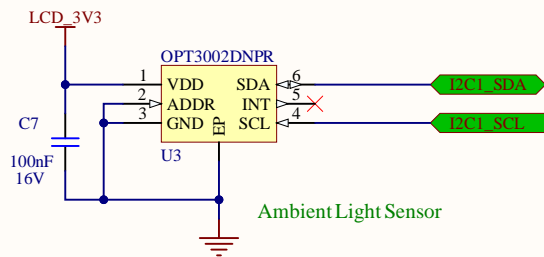
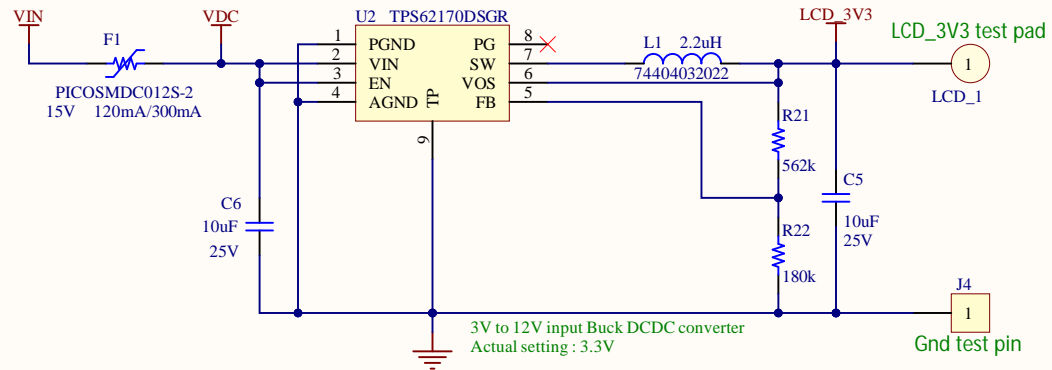
Optional PWM control
 ILED = 80mA





SPI 4 Wires by default

LCD Display 40-pin Top_contact interface header





Title: <i>Power</i>	Version: <i>1.1.0</i>	
Board: <i>Zest_Display_LCD</i>	Size: <i>A4</i>	
Project: <i>6TRON</i>	Sheet: <i>4 of 4</i>	
Author: <i>SGA</i>	Date modified: <i>26/01/2022</i>	