

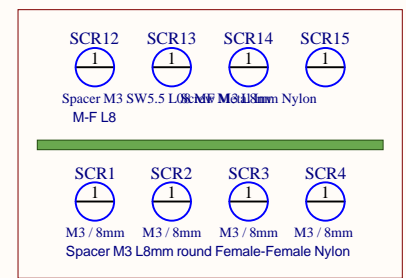
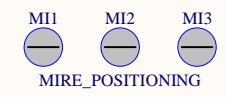
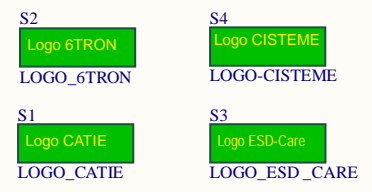
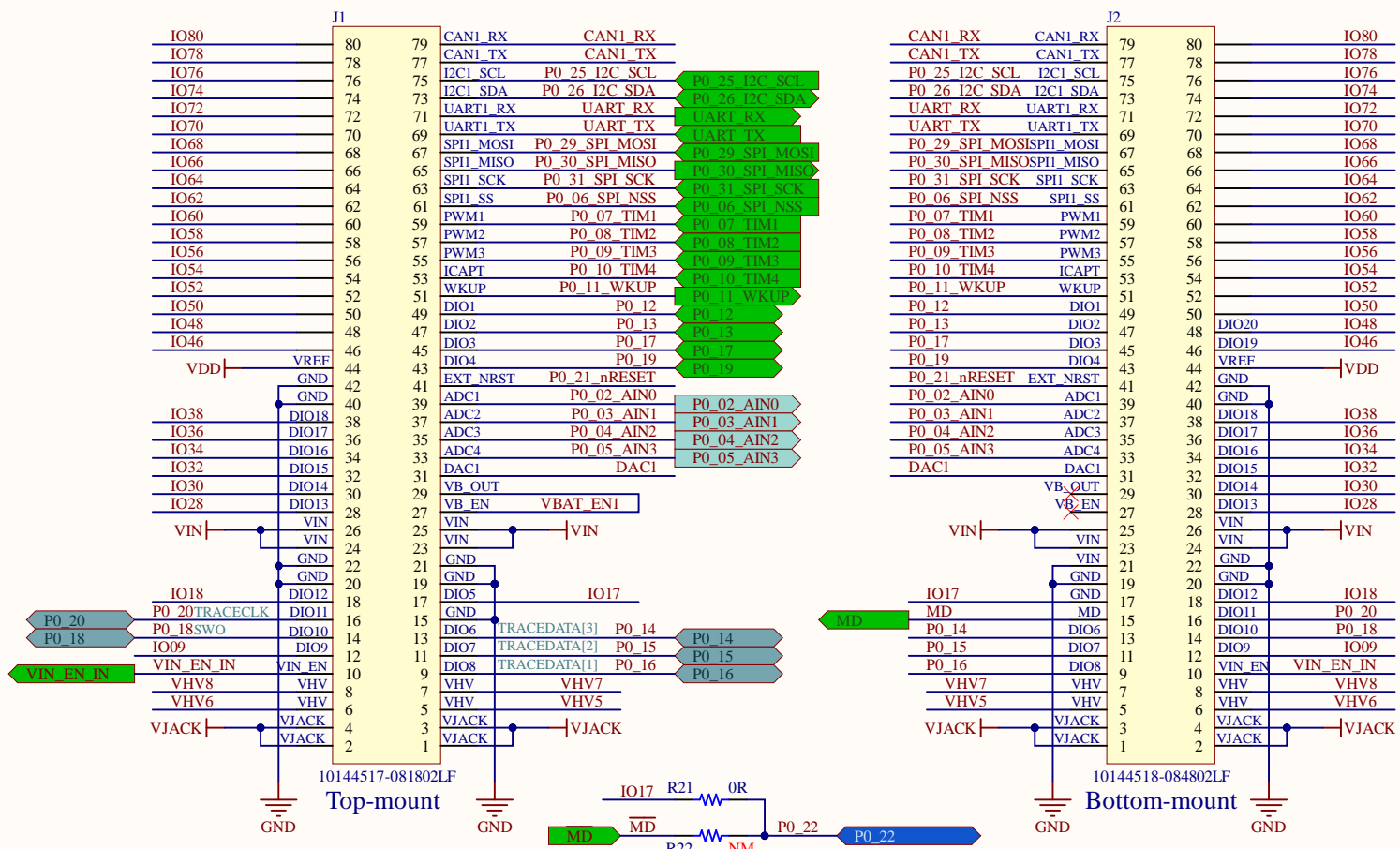
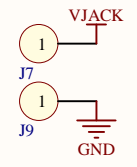
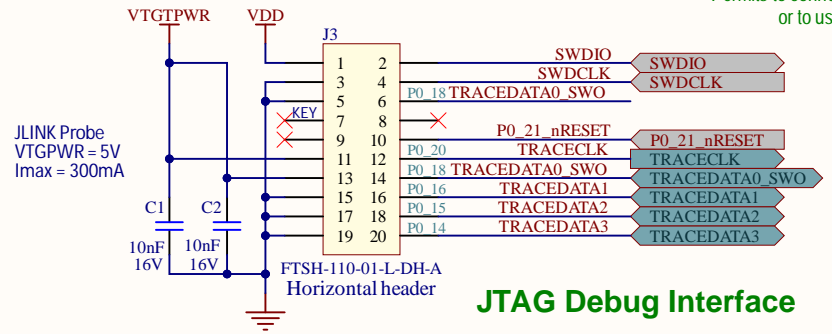


Title: <i>Block definition</i>	Version: <i>1.2.0</i>	
Board: <i>Zest_Core_nRF52832-QFAA</i>	Size: <i>A4</i>	
Project: <i>6TRON</i>	Sheet: <i>1 of 5</i>	
Author: <i>SGA</i>	Date modified: <i>06/04/2022</i>	

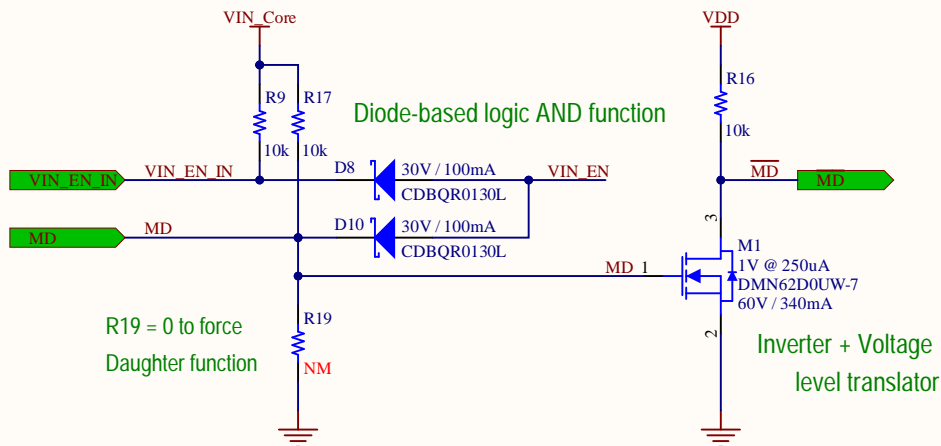
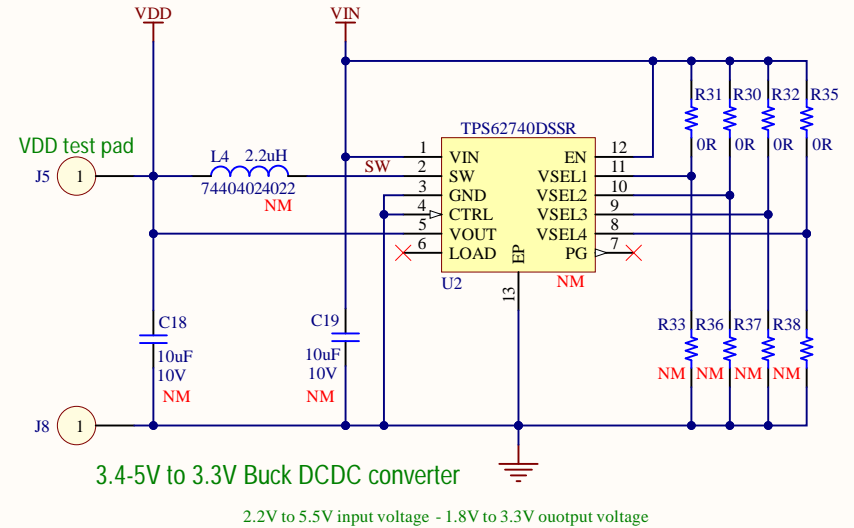
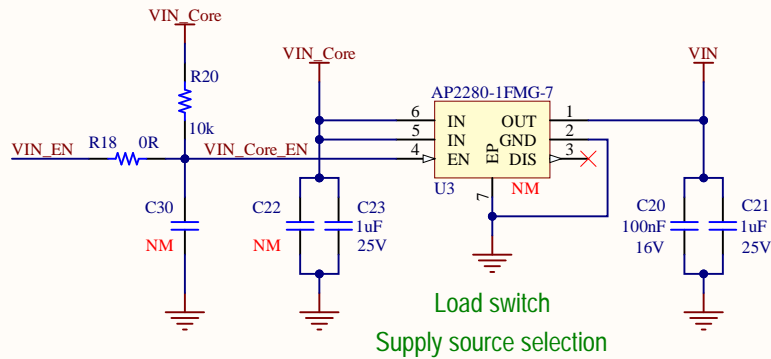
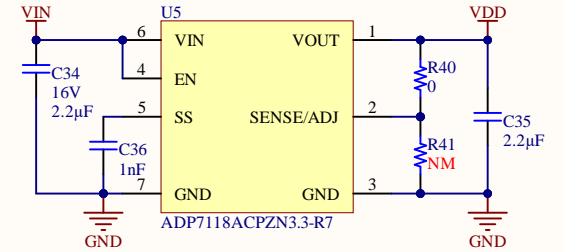
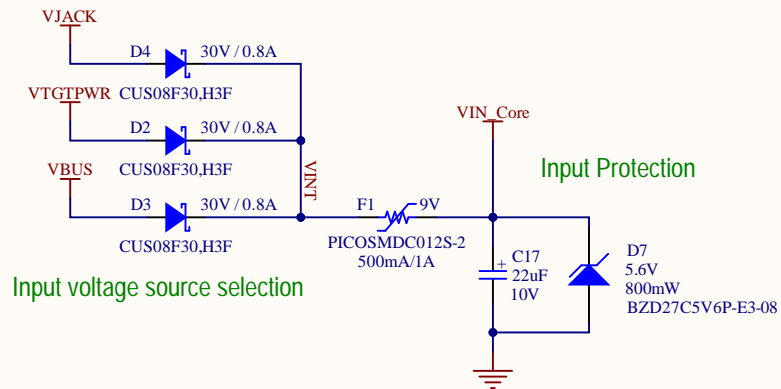
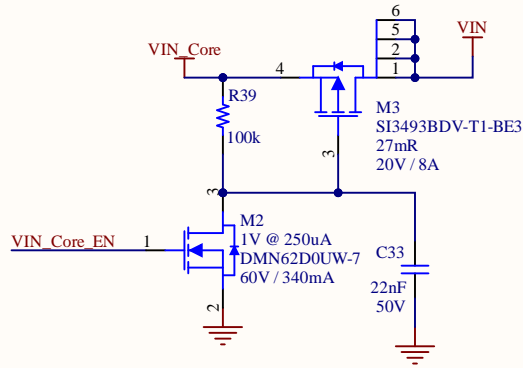


Permits to connect MD signal to pin P0.22 of U1 or to use pin P0.22 as a GPIO



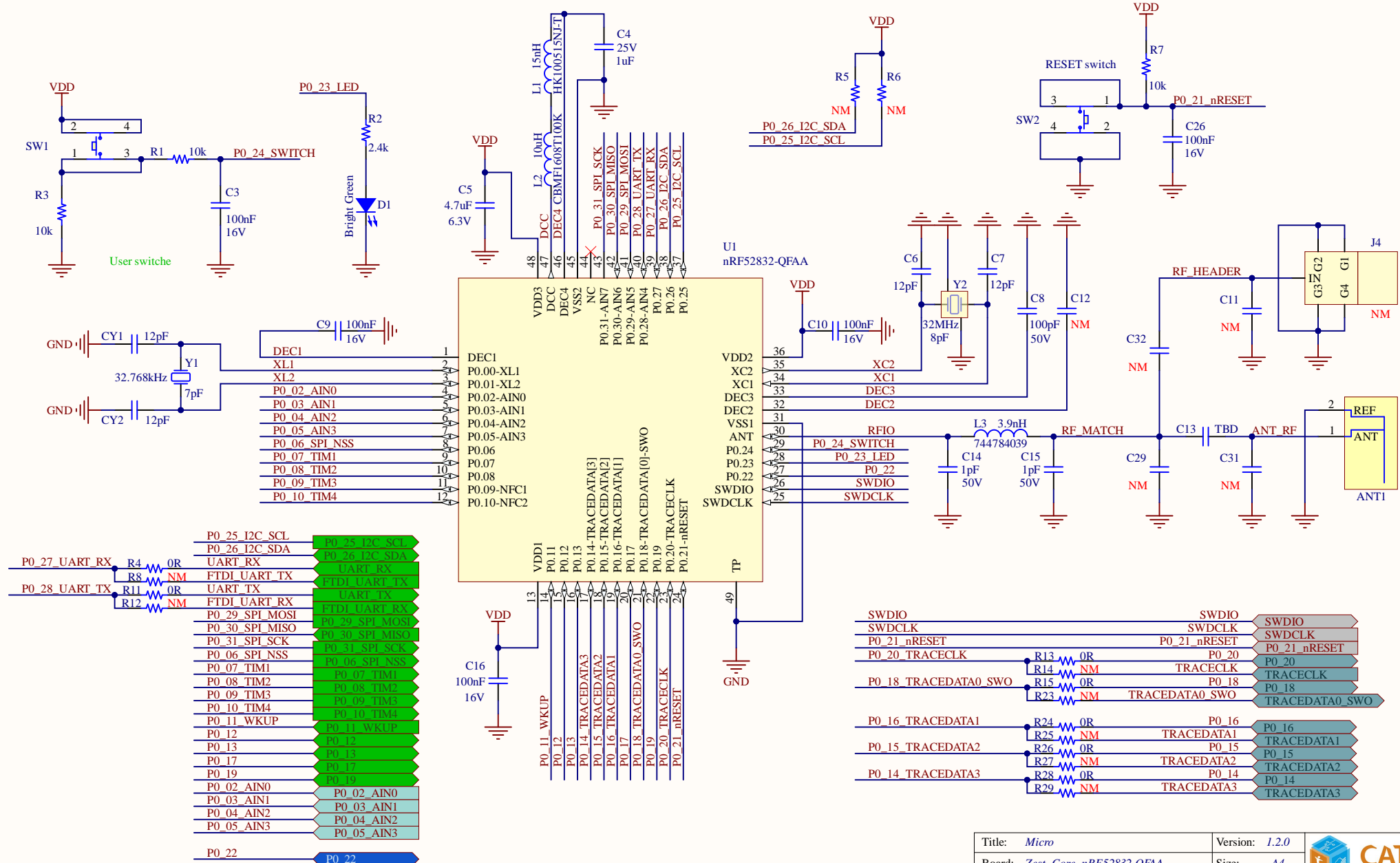
Title: <i>Interconnect</i>	Version: <i>1.2.0</i>	
Board: <i>Zest_Core_nRF52832-QFAA</i>	Size: <i>A4</i>	
Project: <i>6TRON</i>	Sheet: <i>2 of 5</i>	
Author: <i>SGA</i>	Date modified: <i>06/04/2022</i>	

CC BY 4.0



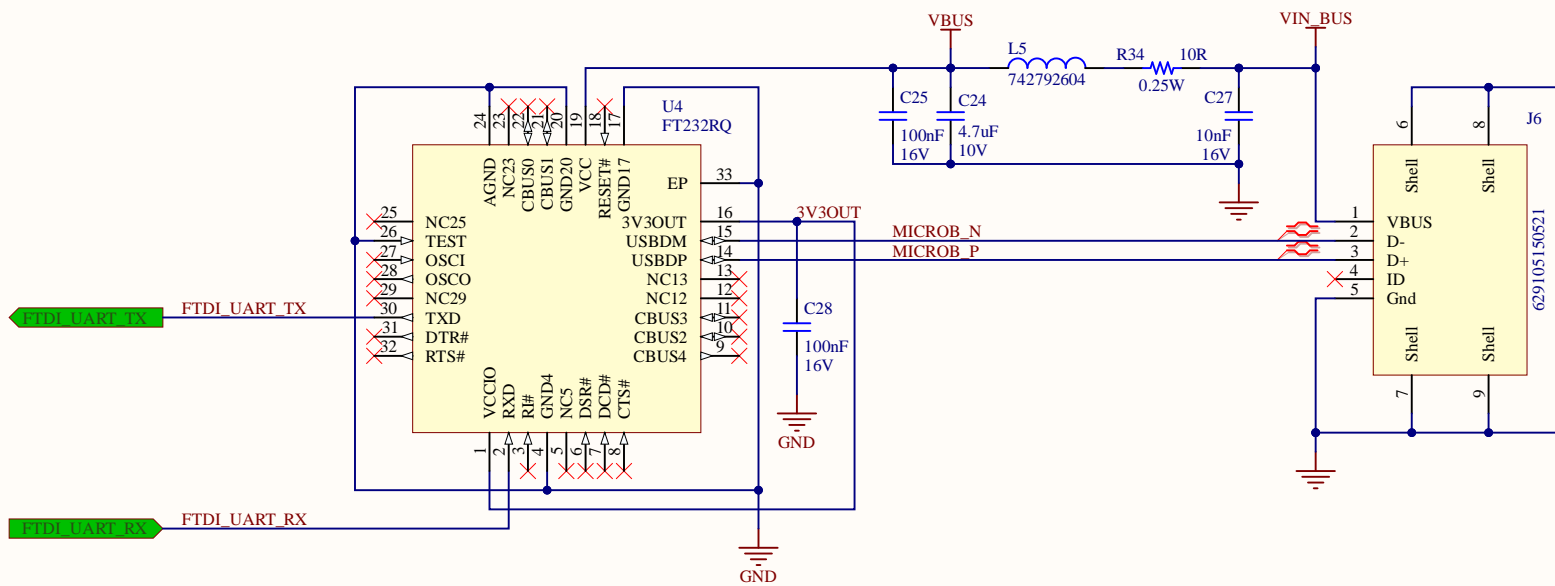
Title: Power Supply	Version: 1.2.0	
Board: Zest_Core_nRF52832-QFAA	Size: A4	
Project: 6TRON	Sheet: 3 of 5	
Author: SGA	Date modified: 25/04/2022	







Title: <i>Micro</i>	Version: <i>1.2.0</i>	
Board: <i>Zest_Core_nRF52832-QFAA</i>	Size: <i>A4</i>	
Project: <i>6TRON</i>	Sheet: <i>4 of 5</i>	
Author: <i>SGA</i>	Date modified: <i>06/04/2022</i>	





Title: <i>USB Device FS</i>	Version: <i>1.2.0</i>	
Board: <i>Zest_Core_nRF52832-QFAA</i>	Size: <i>A4</i>	
Project: <i>6TRON</i>	Sheet: <i>5 of 5</i>	
Author: <i>SGA</i>	Date modified: <i>06/04/2022</i>	