

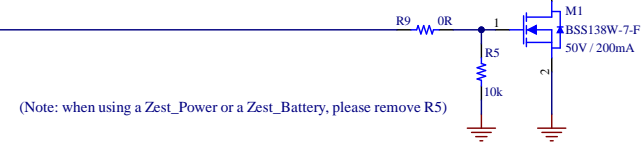
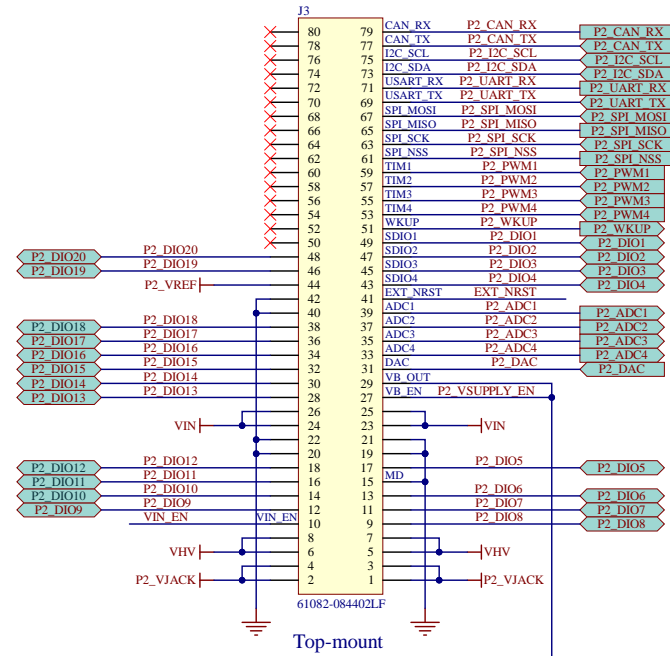
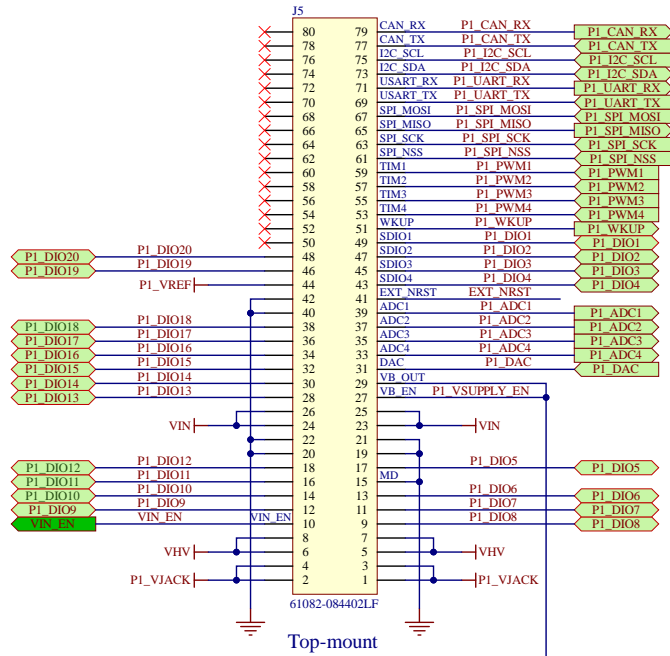
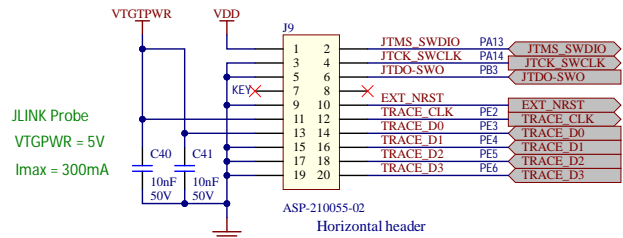


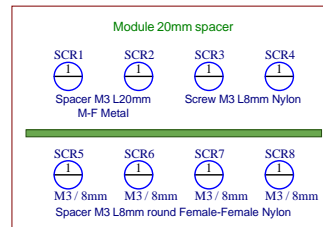
Title: <i>Block Diagram</i>	Version: 2.0.0	 
Board: <i>Zest_Core_STM32H753ZI</i>	Size: A4	
Project: <i>6TRON</i>	Sheet: 1 of 7	
Author: <i>SGA</i>	Date modified: 29/09/2022	



(Note: when using a Zest\_Power or a Zest\_Battery, please remove R5)



### SWD/TRACE Debug Interface



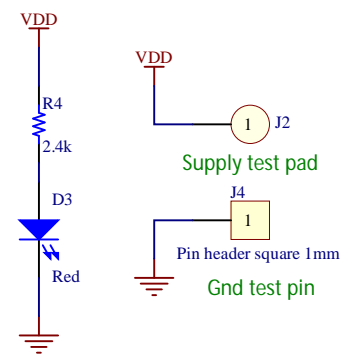
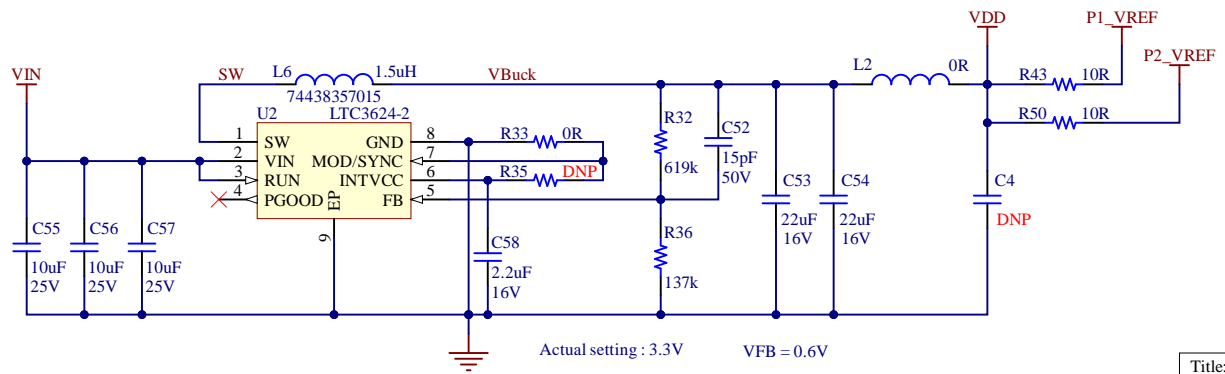
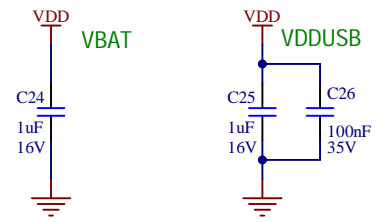
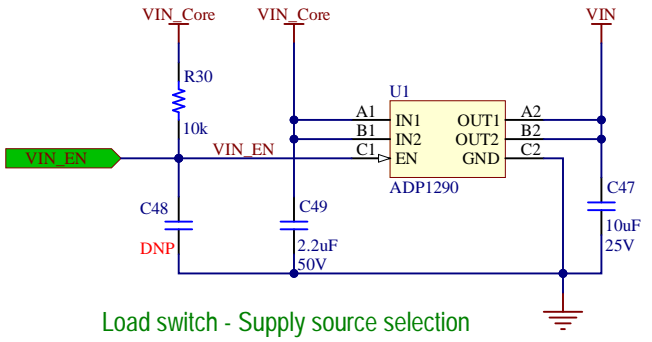
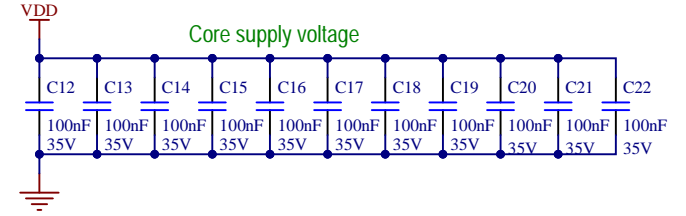
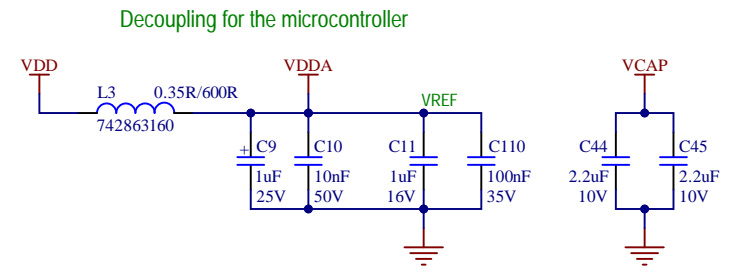
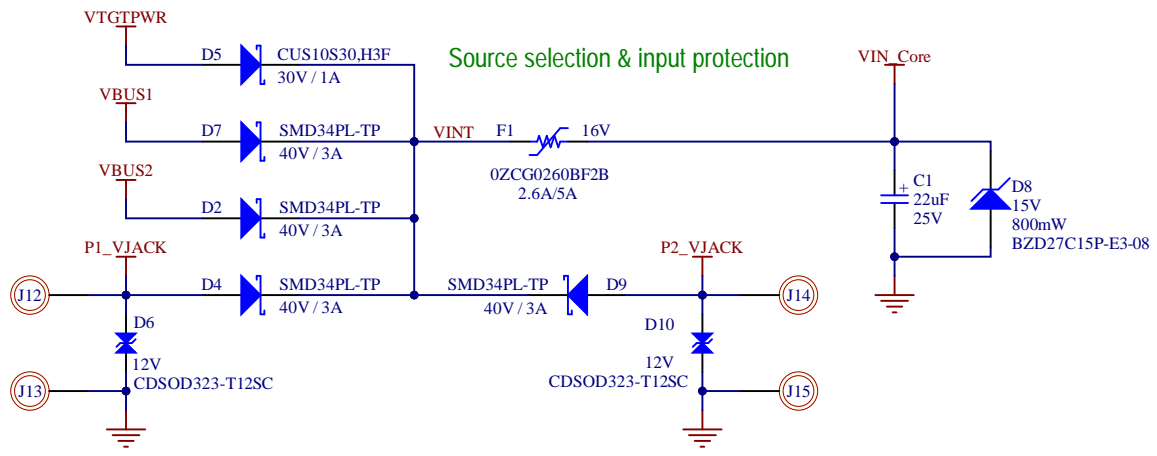
Signal	R57	R58	Pin
SW3	X*		PD10
		X	BOOT0

Signal	R57	R56	Pin
PD10	X*		SW3
		X	DIO20

\*: By default

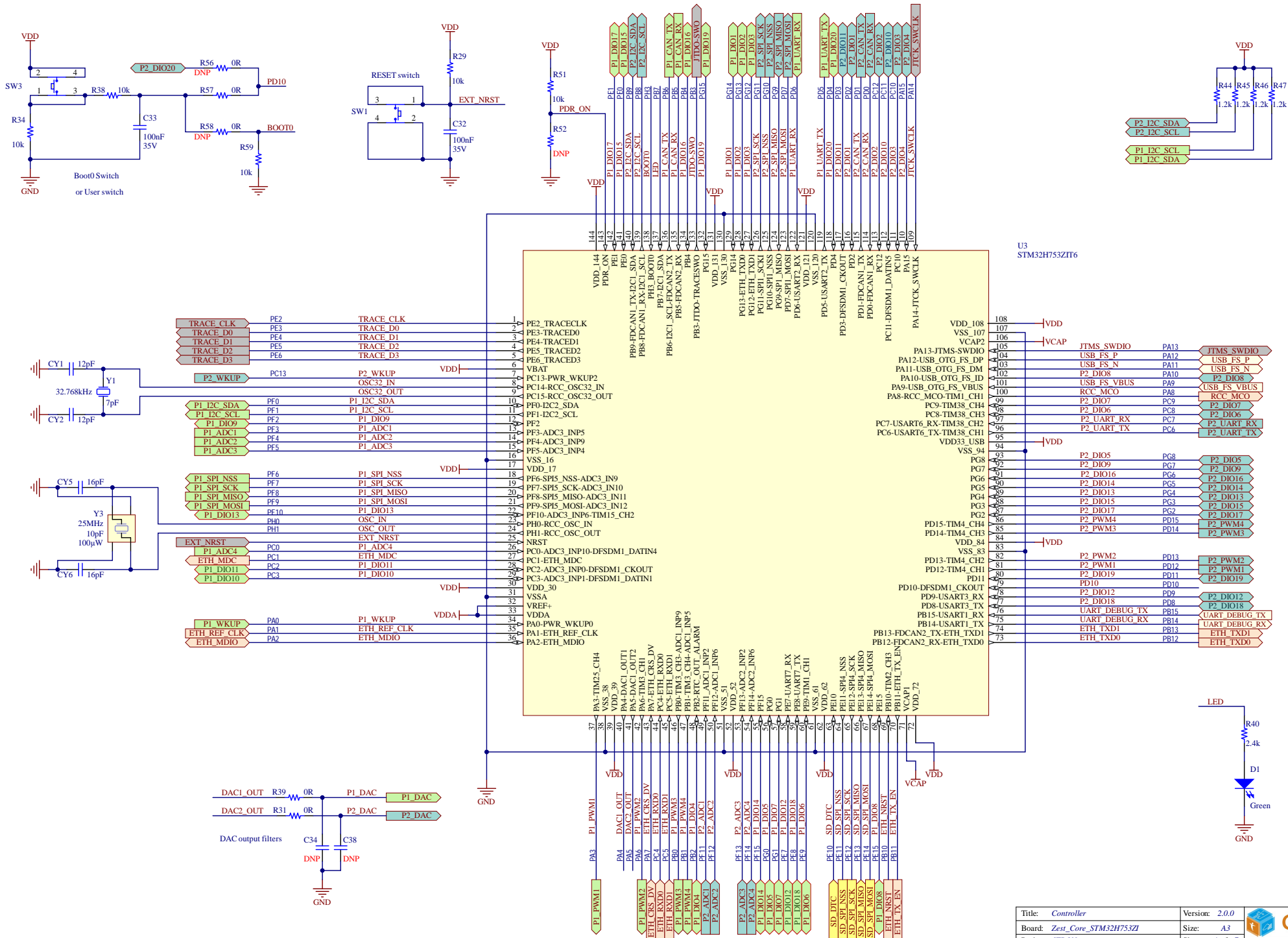
Title: Interconnect	Version: 2.0.0
Board: Zest_Core_STM32H753ZI	Size: A3
Project: 6TRON	Sheet: 2 of 7
Author: SGA	Date modified: 29/09/2022

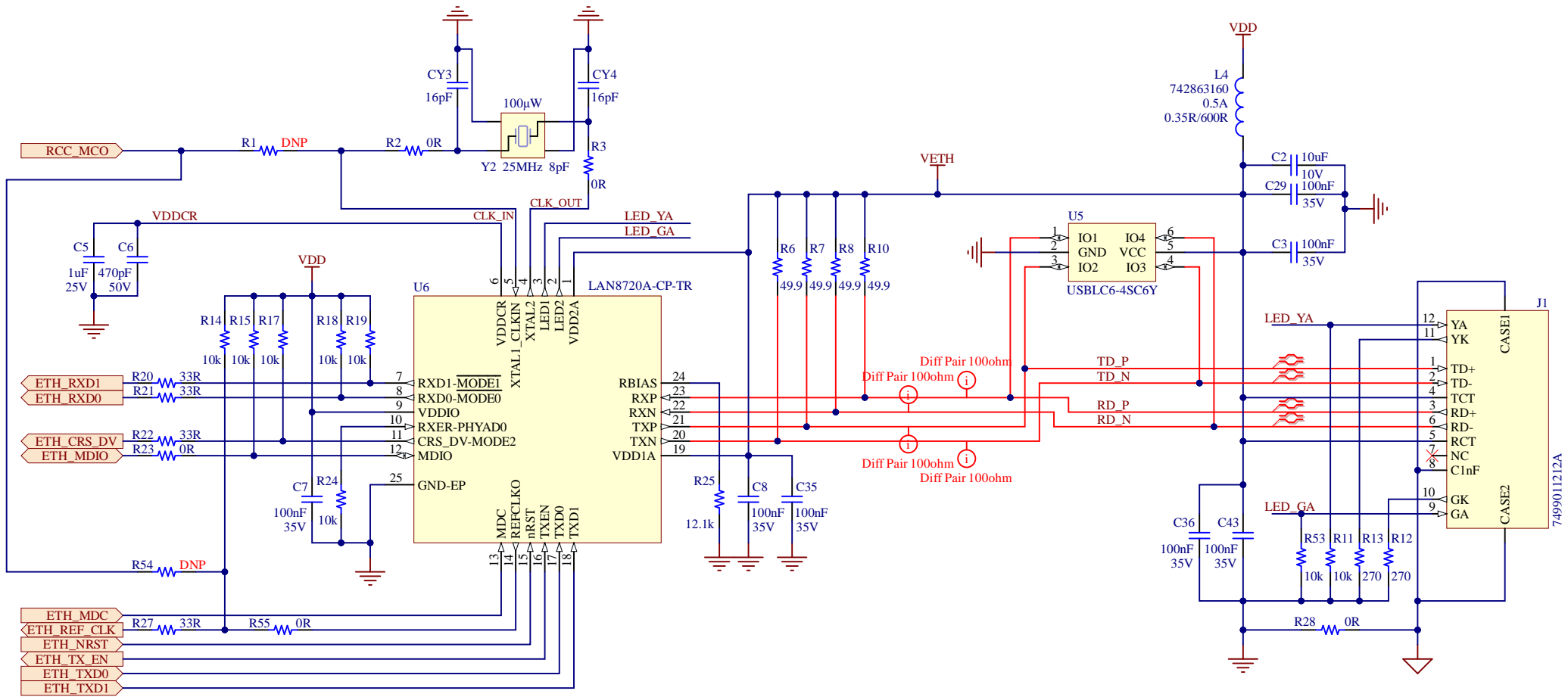




Title: <i>Power Supply</i>	Version: <i>2.0.0</i>	
Board: <i>Zest_Core_STM32L496</i>	Size: <i>A4</i>	
Project: <i>6TRON</i>	Sheet: <i>3 of 7</i>	
Author: <i>SGA</i>	Date modified: <i>29/09/2022</i>	

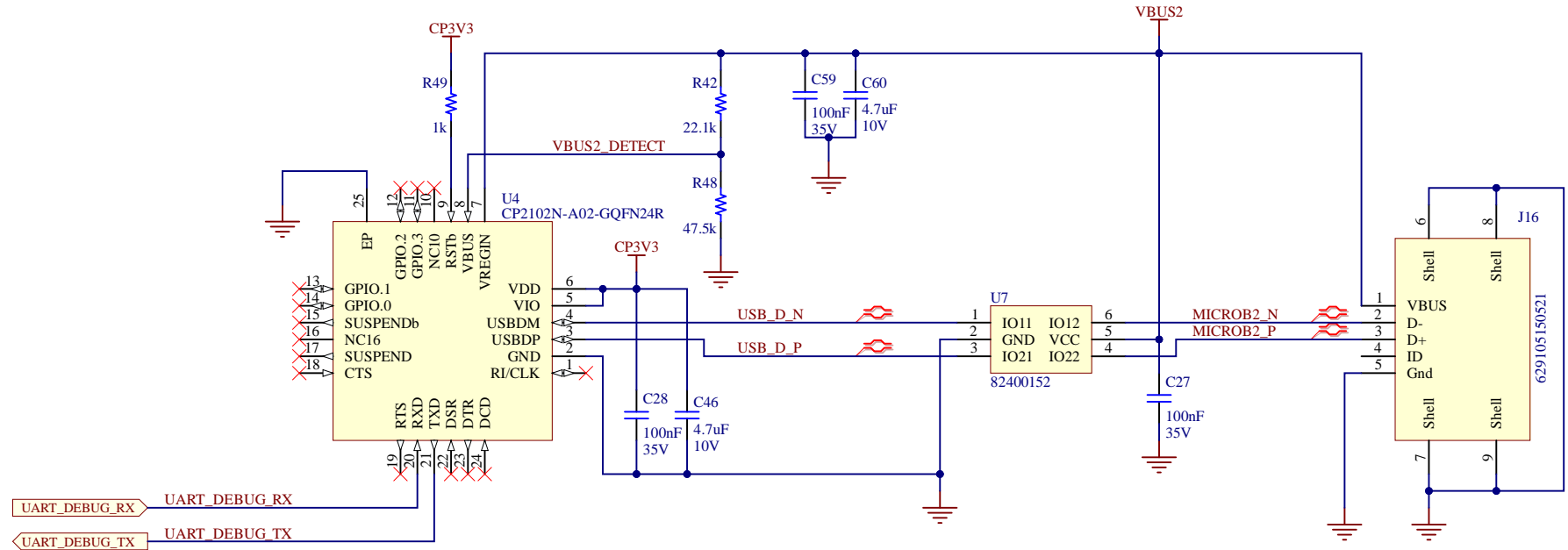
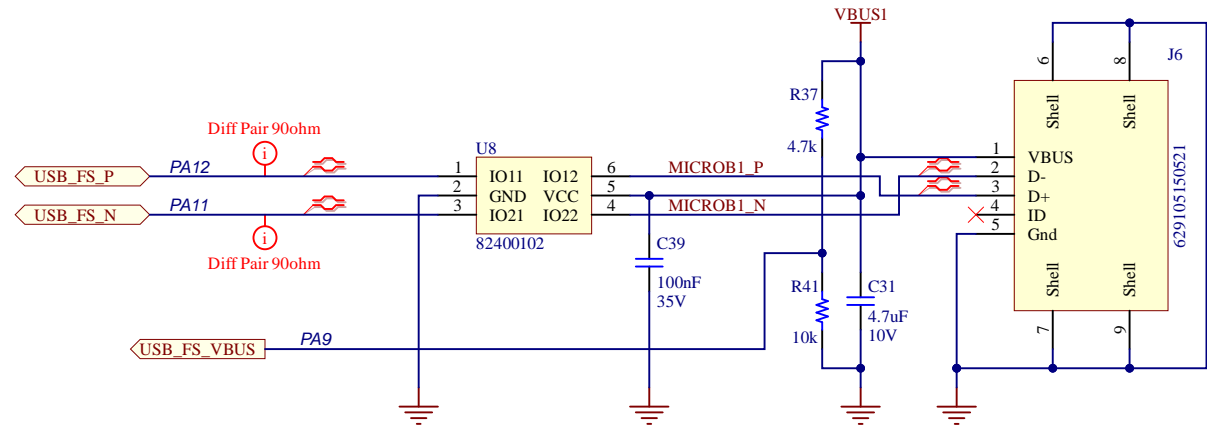
CC BY 4.0





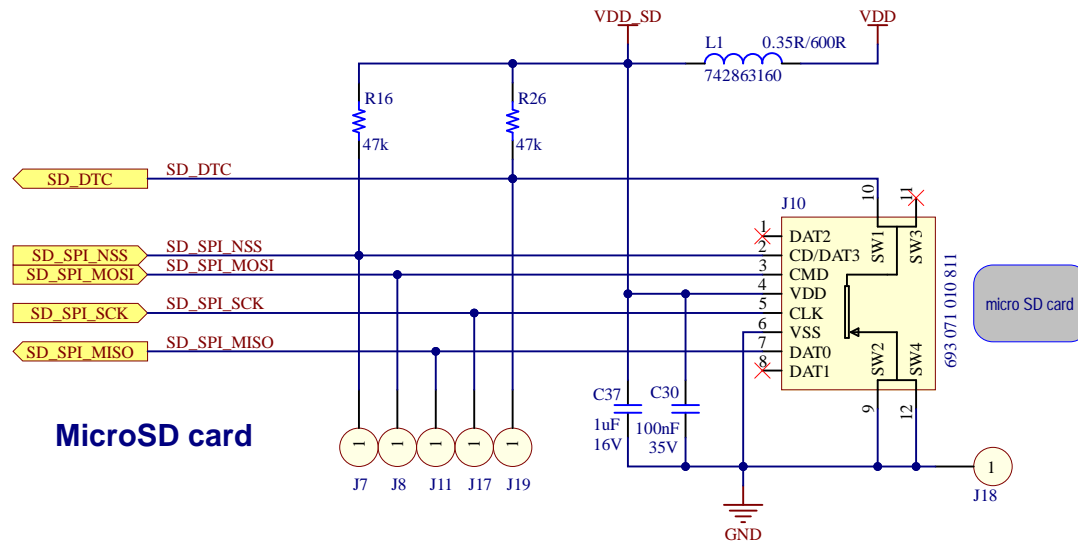


Title: Ethernet	Version: 2.0.0
Board: Zest_Core_STM32H753ZI	Size: A4
Project: 6TRON	Sheet: 5 of 7
Author: SGA	Date modified: 29/09/2022







Title: <i>USB Device FS</i>	Version: 2.0.0	 
Board: <i>Zest_Core_STM32H753ZI</i>	Size: A4	
Project: <i>6TRON</i>	Sheet: 6 of 7	
Author: <i>SGA</i>	Date modified: 29/09/2022	



MicroSD card

micro SD card

Title: <i>Memory</i>	Version: 2.0.0	
Board: <i>Zest_Core_STM32L496</i>	Size: A4	
Project: <i>6TRON</i>	Sheet: 7 of 7	
Author: <i>SGA</i>	Date modified: 29/09/2022	