

A

A

B

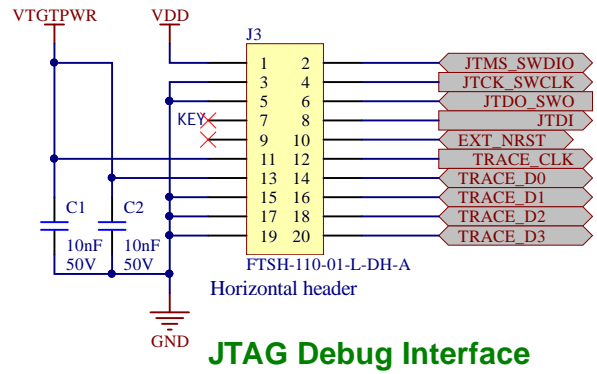
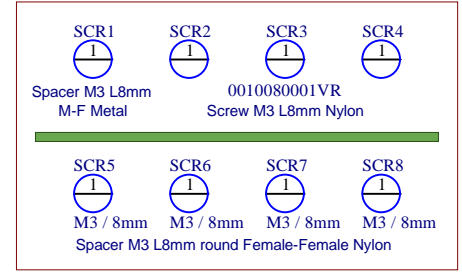
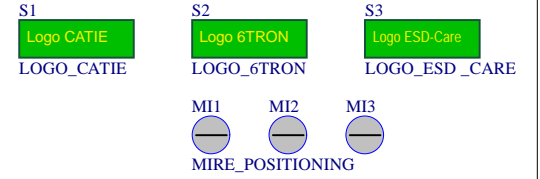
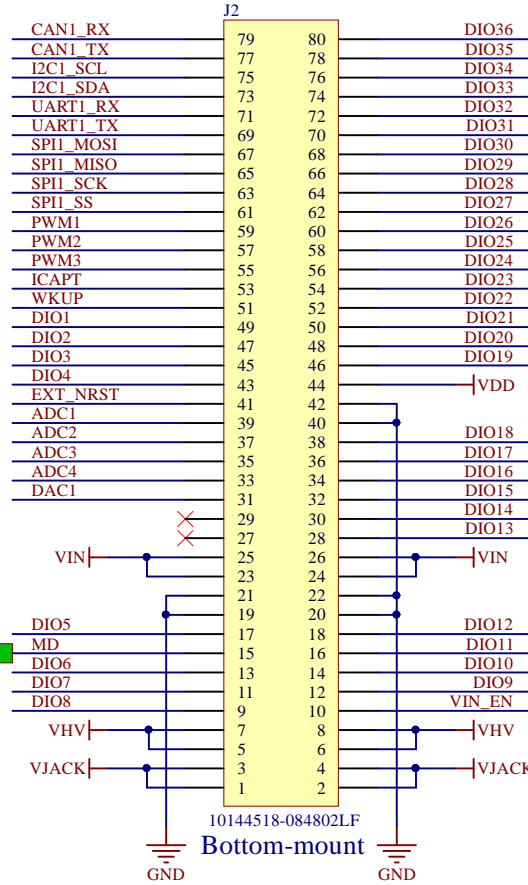
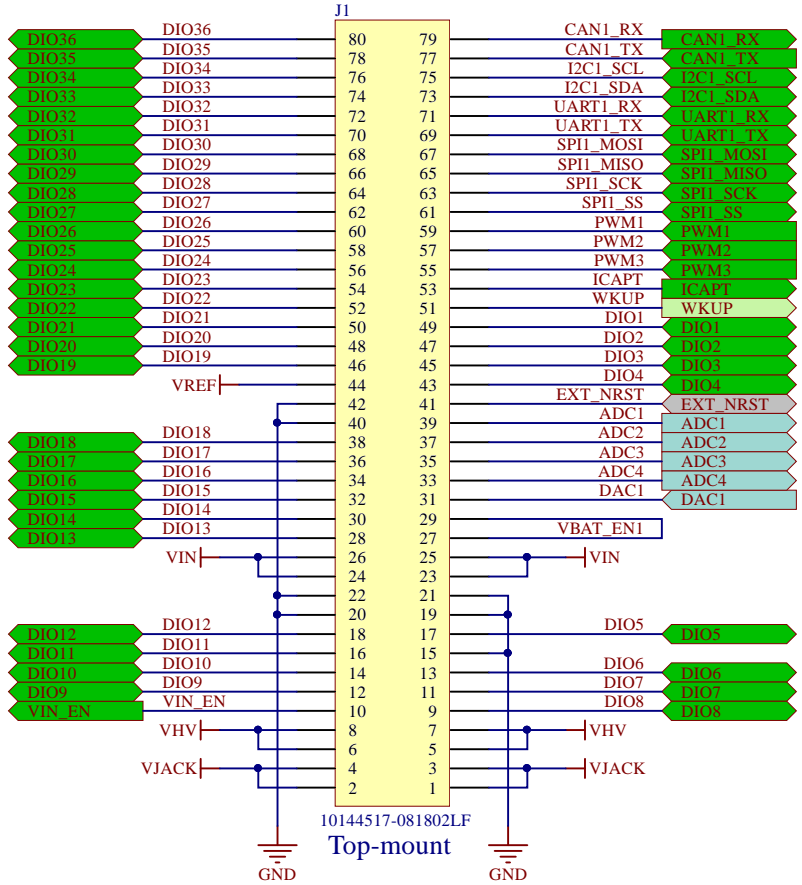
B

C

C

D

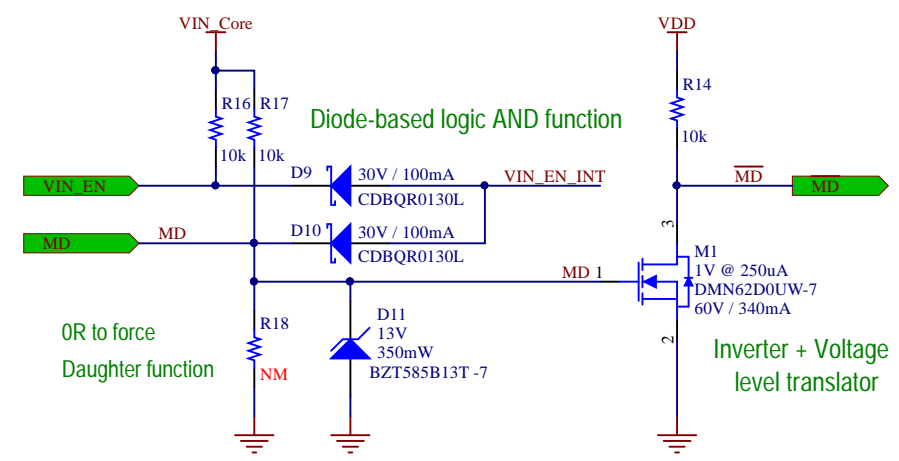
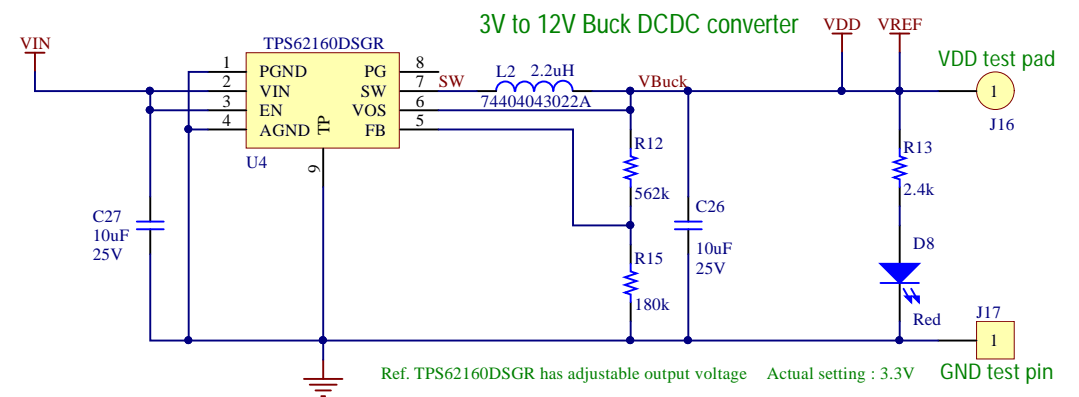
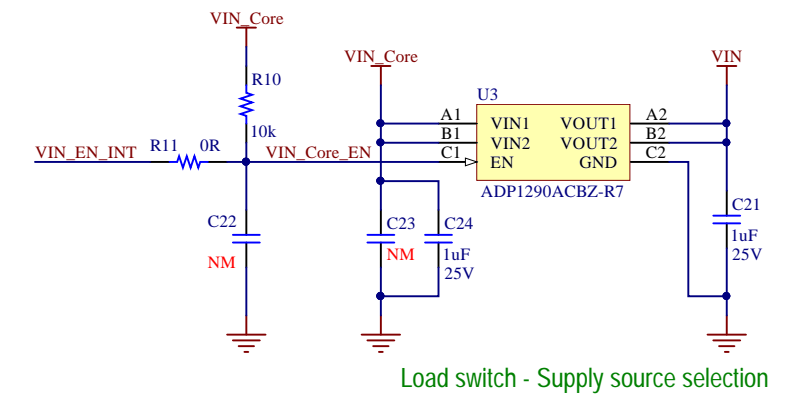
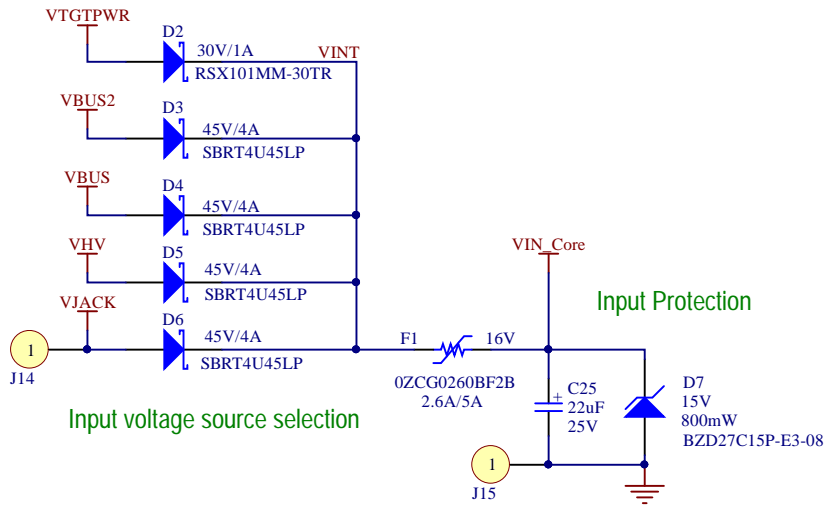
D



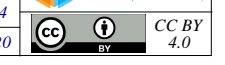
	R8	R9	
PD15	x		/MD
		x	DIO5

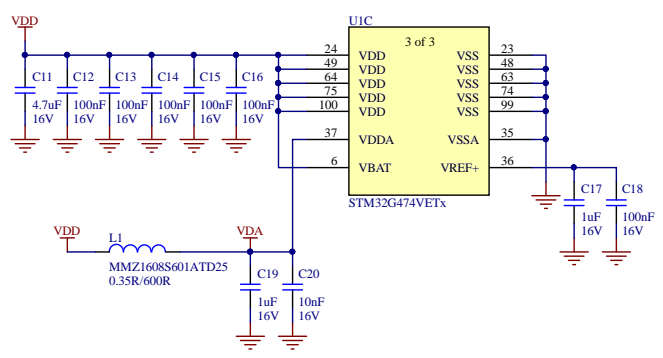
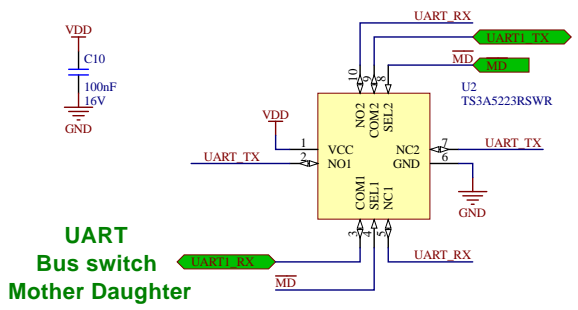
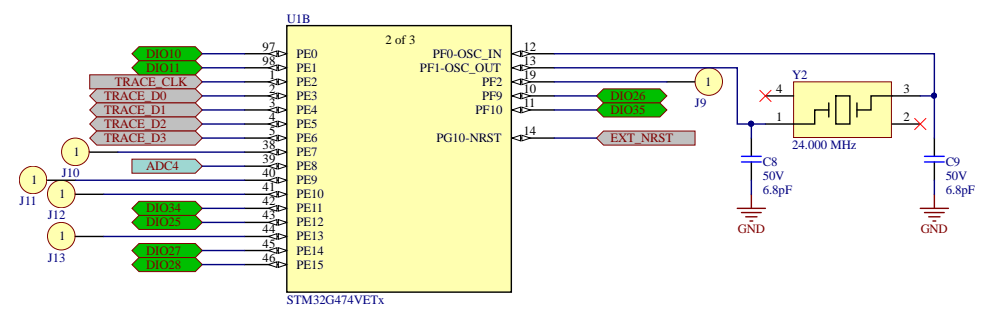
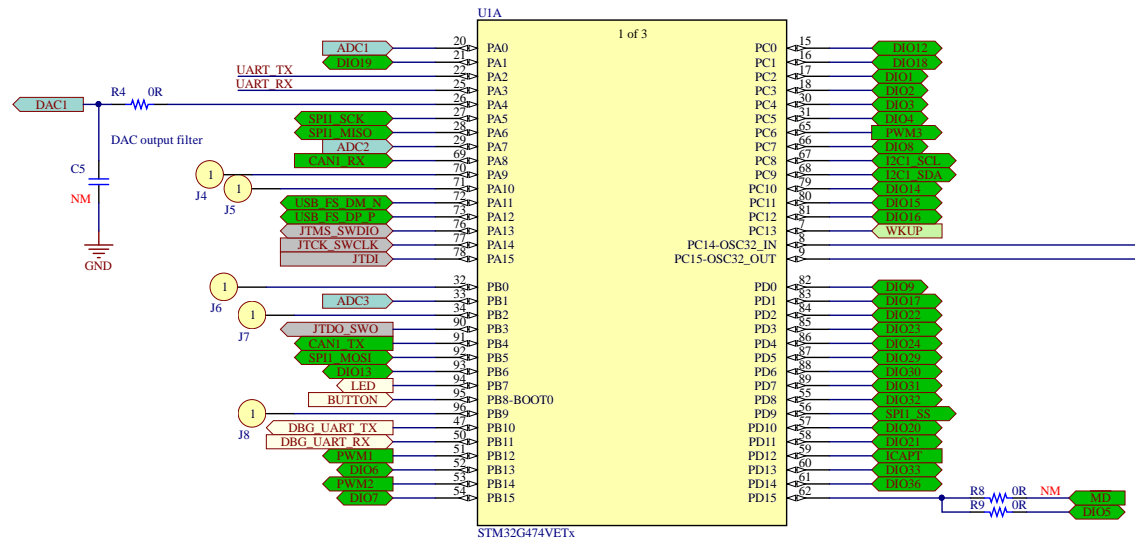
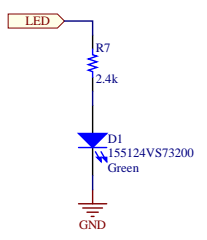
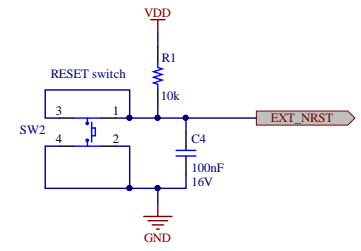
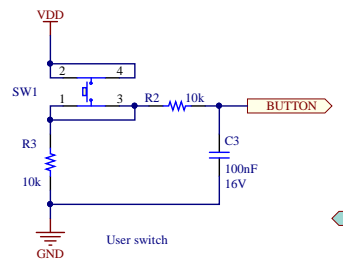
Title: <i>Interconnect</i>	Version: <i>1.0.0</i>	
Board: <i>Zest_Core_STM32G474VET</i>	Size: <i>A4</i>	
Project: <i>6TRON</i>	Sheet: <i>1 of 4</i>	
Author: <i>SGA</i>	Date modified: <i>04/06/2020</i>	

CC BY 4.0



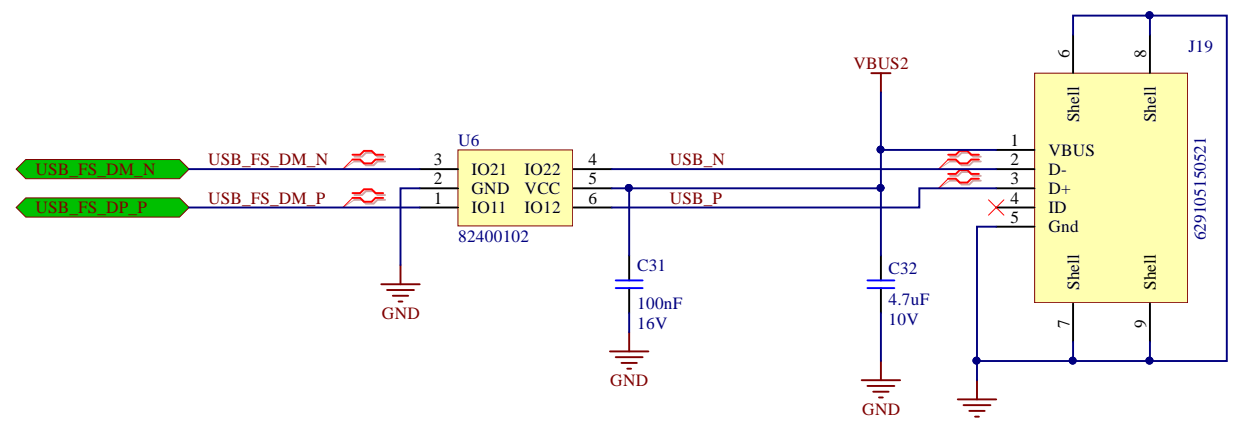
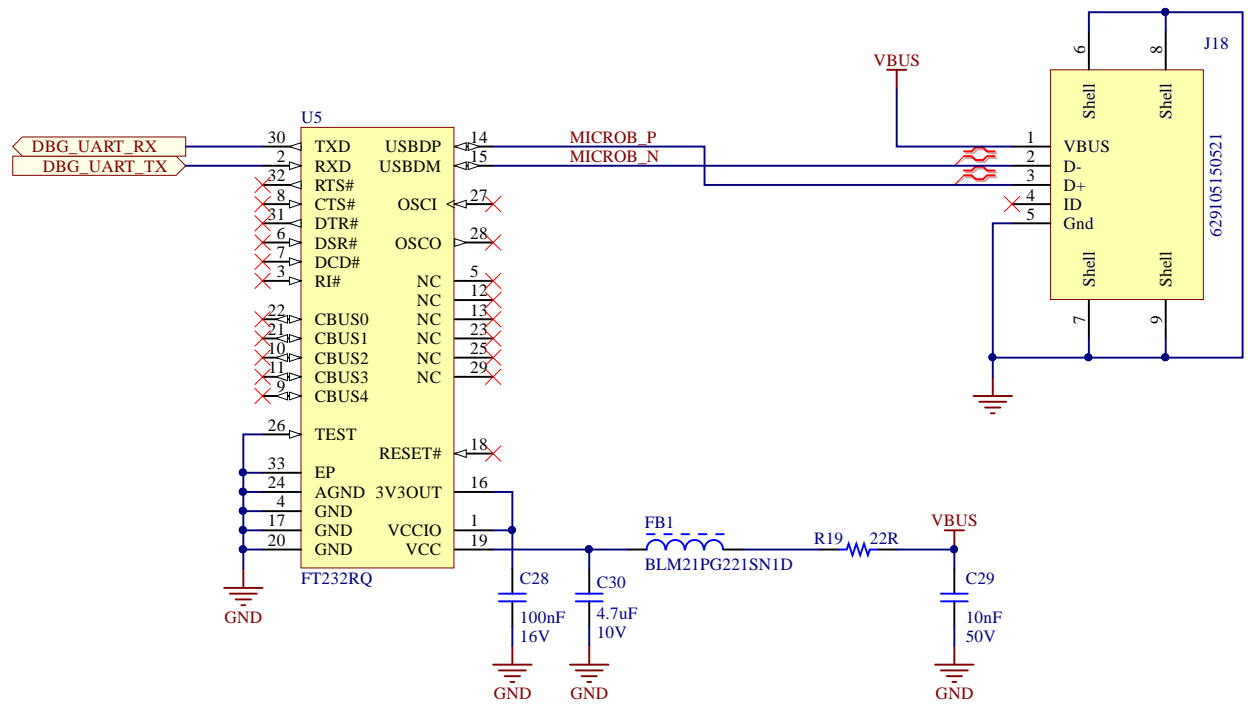
Title: Power Supply	Version: 1.0.0	 Solutions pour le secteur numérique
Board: Zest_Core_STM32G474VET	Size: A4	
Project: 6TRON	Sheet: 2 of 4	
Author: SGA	Date modified: 02/06/2020	






Title: Micro	Version: 1.0.0	
Board: Zest_Core_STM32G474VET	Size: A3	
Project: 6TRON	Sheet: 3 of 4	
Author: SGA	Date modified: 04/06/2020	





Title: <i>USB</i>	Version: <i>1.0.0</i>	
Board: <i>Zest_Core_STM32G474VET</i>	Size: <i>A4</i>	
Project: <i>6TRON</i>	Sheet: <i>4 of 4</i>	
Author: <i>SGA</i>	Date modified: <i>02/06/2020</i>	
		