

A

B

C

D

A

B

C

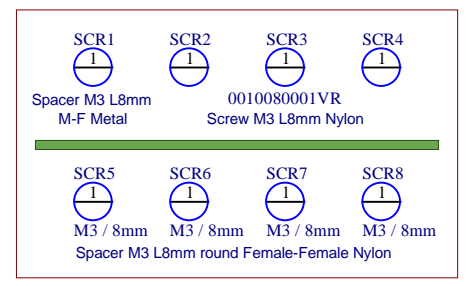
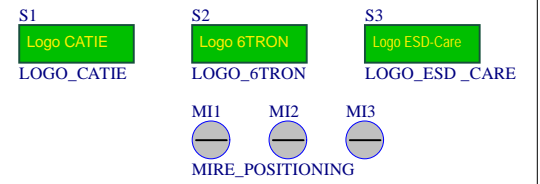
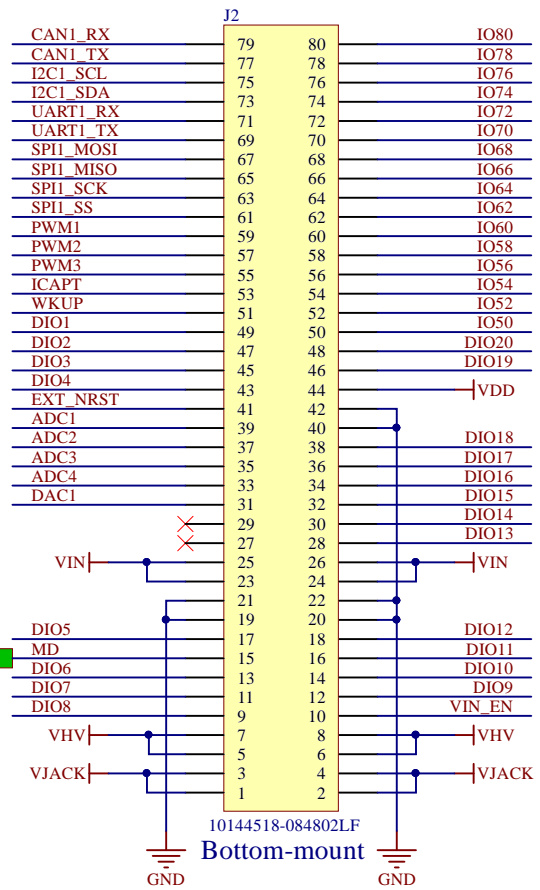
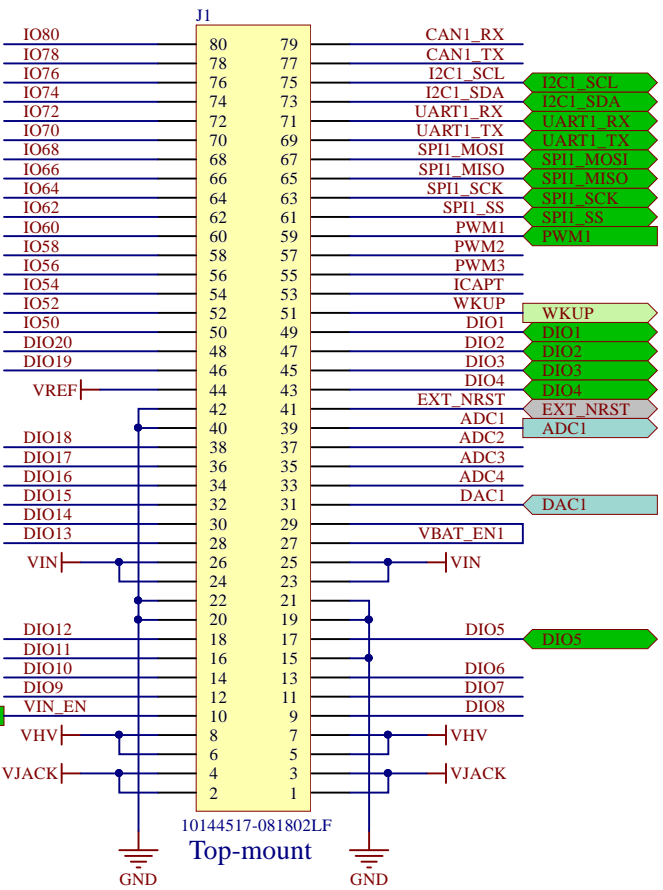
D

1

2

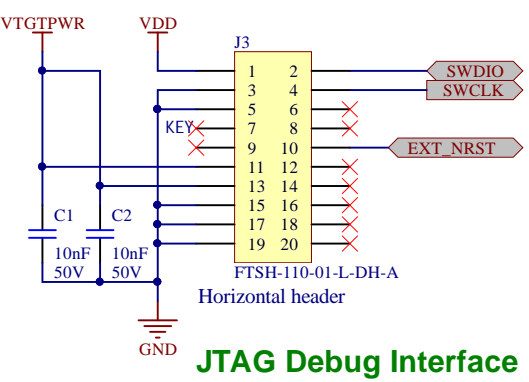
3

4



VIN\_EN

MD



|                                |                                  |  |
|--------------------------------|----------------------------------|--|
| Title: <i>Interconnect</i>     | Version: <i>1.0.0</i>            | <br><b>CATIE</b><br><small>Solutions pour le secteur numérique</small> |
| Board: <i>Zest_Core_MTXDOT</i> | Size: <i>A4</i>                  |  |
| Project: <i>6TRON</i>          | Sheet: <i>1 of 4</i>             |  |
| Author: <i>SGA</i>             | Date modified: <i>02/04/2020</i> |  |

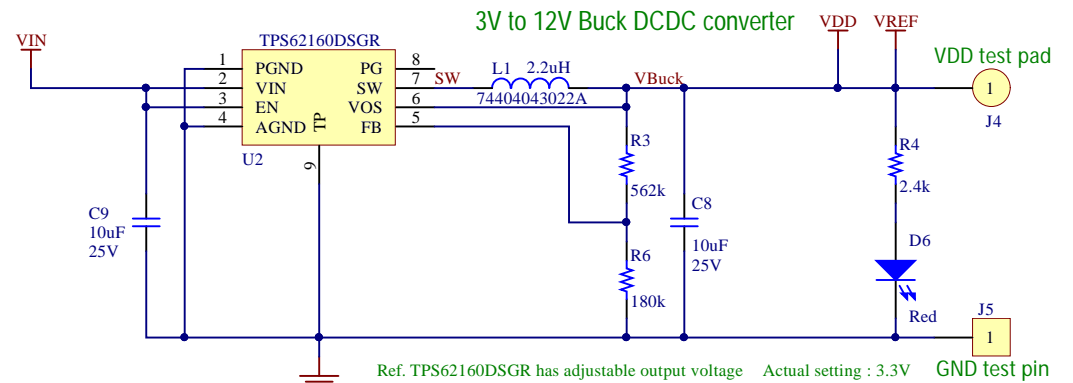
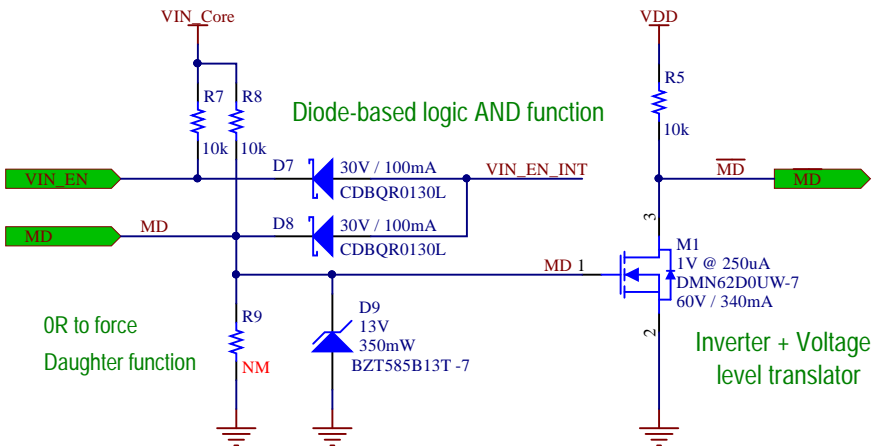
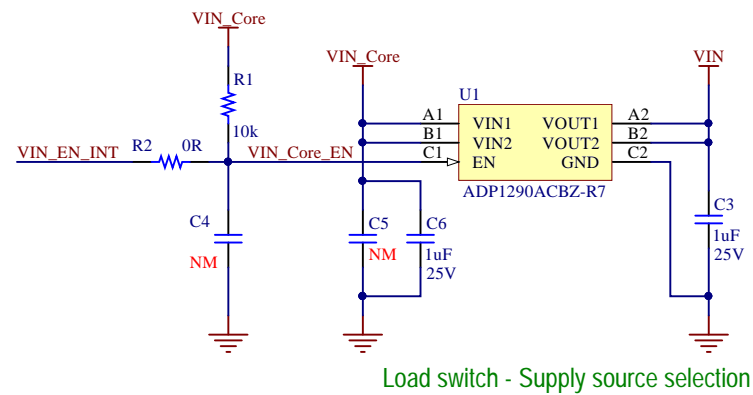
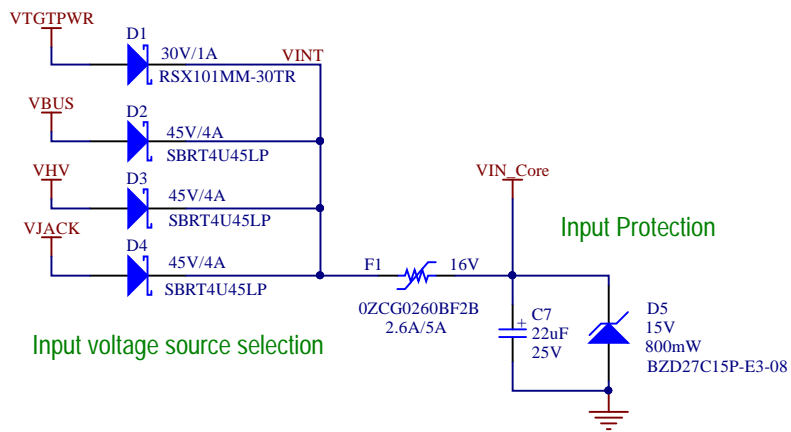
CC BY 4.0



1

2

3

4



|                                |                                  |   |
|--------------------------------|----------------------------------|---|
| Title: <i>Power Supply</i>     | Version: <i>1.0.0</i>            |  |
| Board: <i>Zest_Core_MTXDOT</i> | Size: <i>A4</i>                  |   |
| Project: <i>6TRON</i>          | Sheet: <i>2 of 4</i>             |  |
| Author: <i>SGA</i>             | Date modified: <i>02/04/2020</i> |   |

