

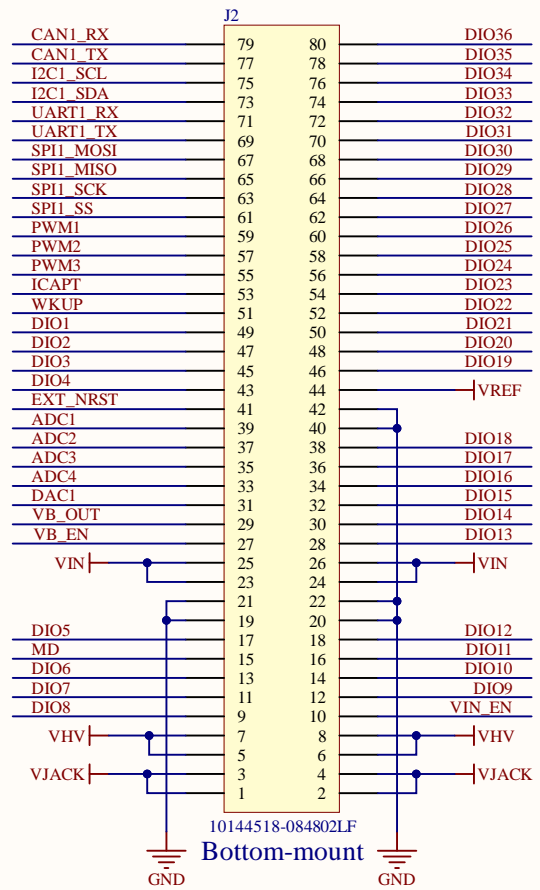
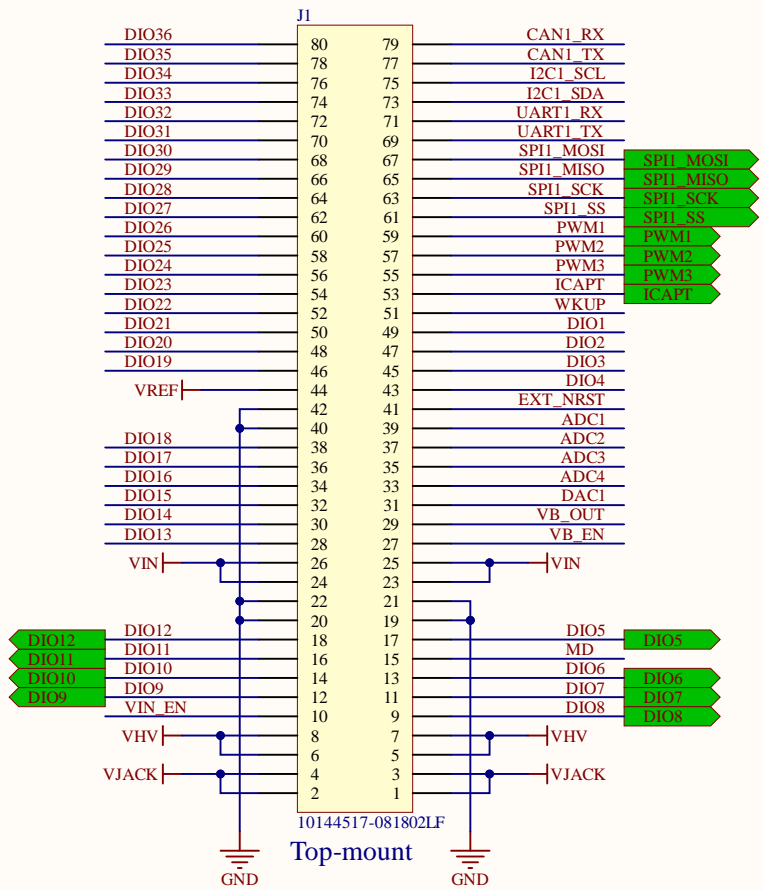
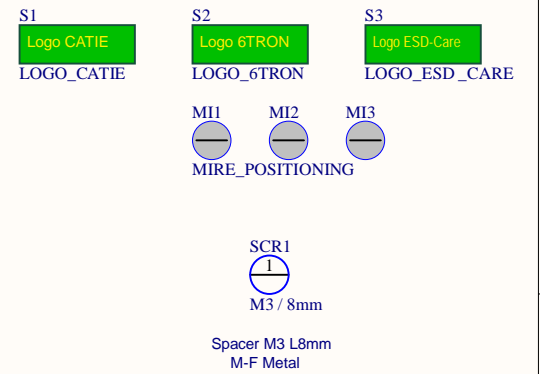


Title: <i>Block Diagram</i>	Version: <i>1.1.0</i>	
Board: <i>Zest_Actuator_OpenDrain</i>	Size: <i>A4</i>	
Project: <i>6TRON</i>	Sheet: <i>1 of 2</i>	
Author: <i>SGA</i>	Date modified: <i>12/01/2023</i>	



	R27	R28	R29	R30	
VPW	X*				3V3
		X			VIN
			X		VJACK
				X	External



Signal	R11	R15	Pin
Out1	X*		PWM1
		X	DIO5

Signal	R12	R16	Pin
Out2	X*		PWM2
		X	DIO6

Signal	R13	R17	Pin
Out3	X*		PWM3
		X	DIO7

Signal	R14	R18	Pin
Out4	X*		ICAPT
		X	DIO8

Signal	R19	R23	Pin
Out5	X*		SPI1_MOSI
		X	DIO9

Signal	R20	R24	Pin
Out6	X*		SPI1_MISO
		X	DIO10

Signal	R21	R25	Pin
Out7	X*		SPI1_SCK
		X	DIO11

Signal	R22	R26	Pin
Out8	X*		SPI1_SS
		X	DIO12

* : By default

Title: <i>Interconnect</i>	Version: <i>1.1.0</i>	
Board: <i>Zest_Actuator_OpenDrain</i>	Size: <i>A4</i>	
Project: <i>6TRON</i>	Sheet: <i>2 of 3</i>	
Author: <i>SGA</i>	Date modified: <i>12/01/2023</i>	

A

A

B

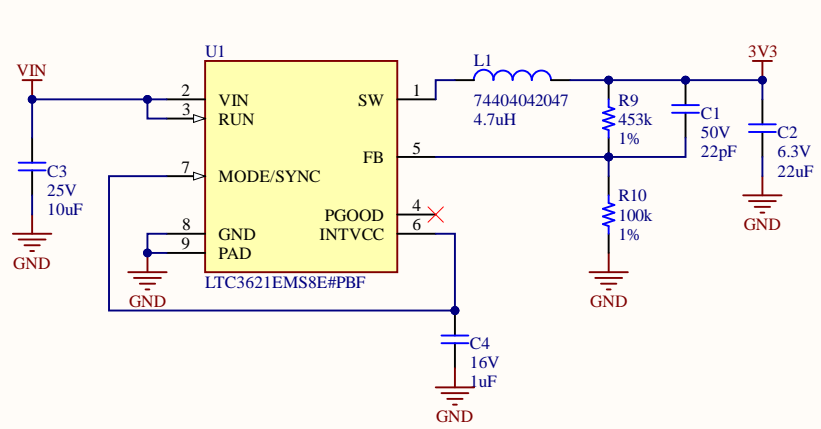
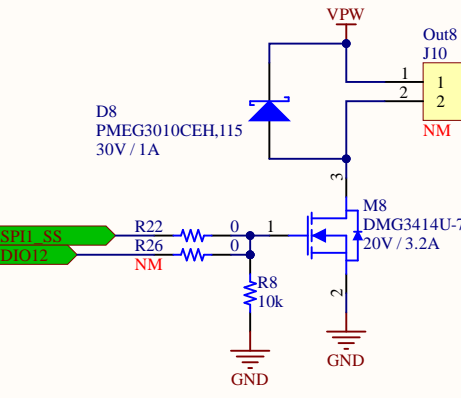
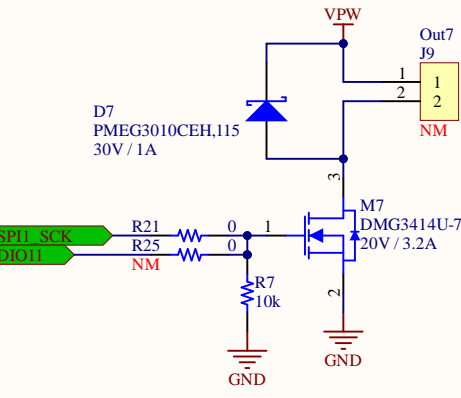
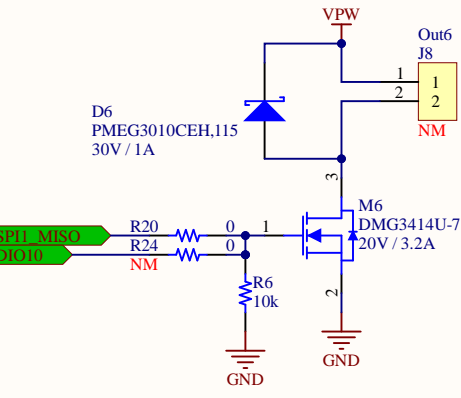
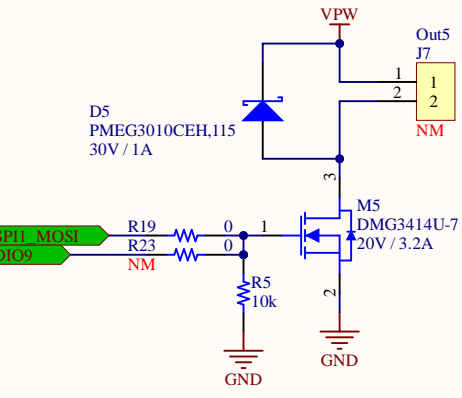
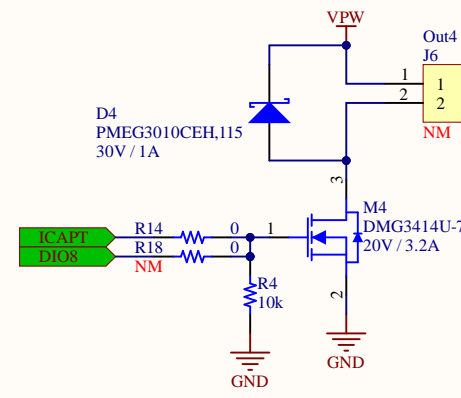
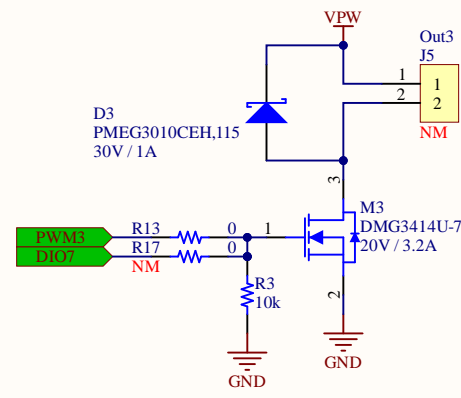
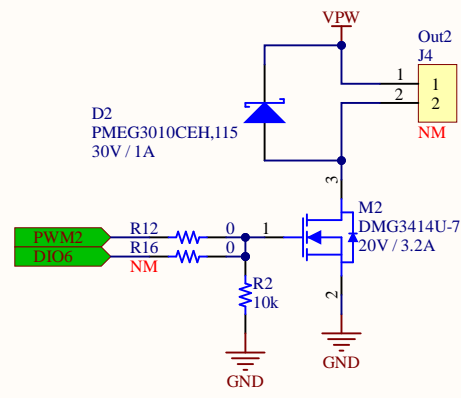
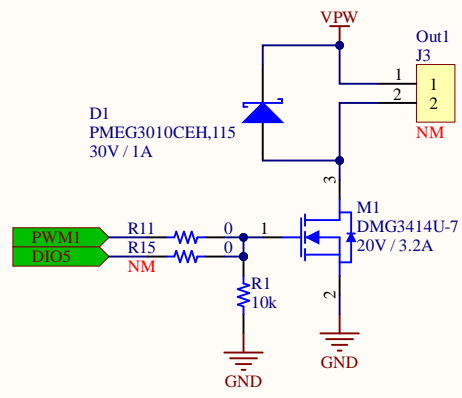
B

C

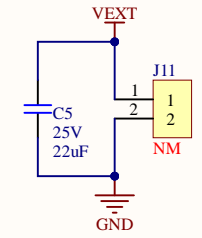
C

D

D



12V/1A max per channel, 4A total (external supply)
 12V/1A max per channel, 3A total (VIN/VJACK supply)
 3.3V/1A max per channel, 1A total (internal 3.3V supply)



Title: <i>Transistors</i>	Version: <i>1.1.0</i>	
Board: <i>Zest_Actuator_OpenDrain</i>	Size: <i>A4</i>	
Project: <i>6TRON</i>	Sheet: <i>3 of 3</i>	
Author: <i>SGA</i>	Date modified: <i>01/02/2023</i>	