

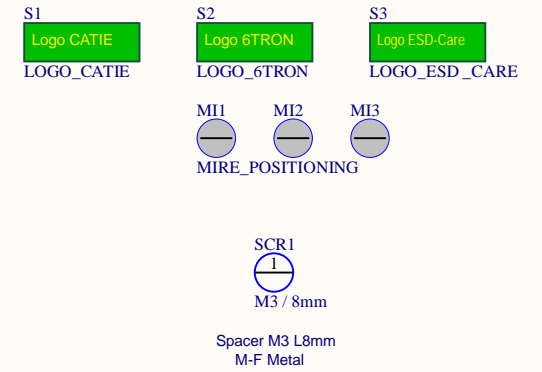
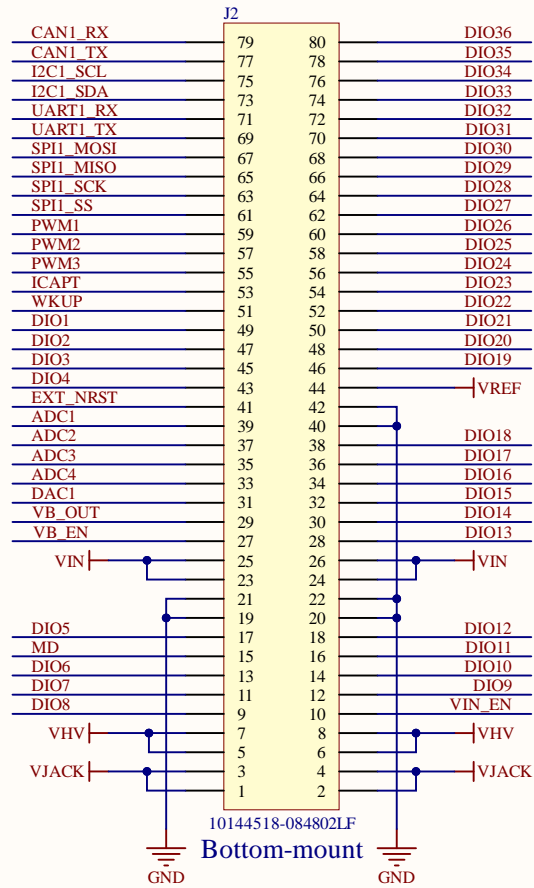
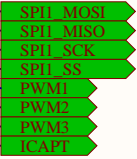
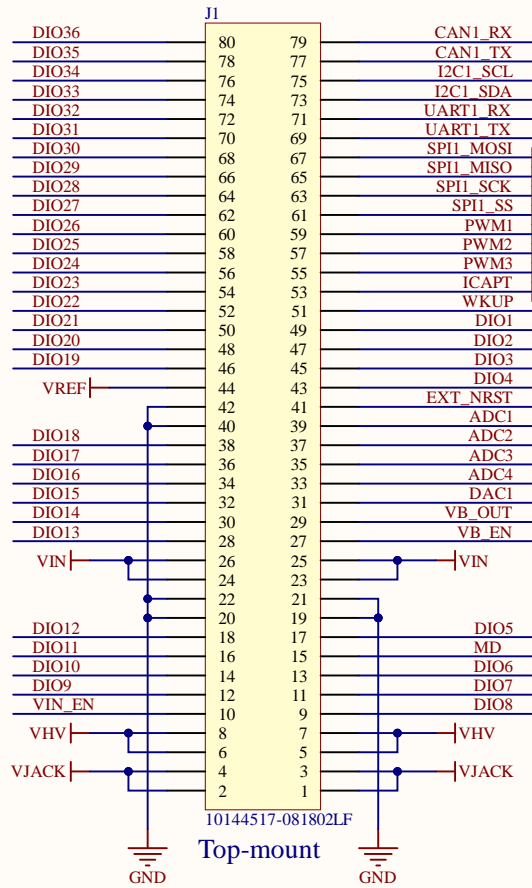
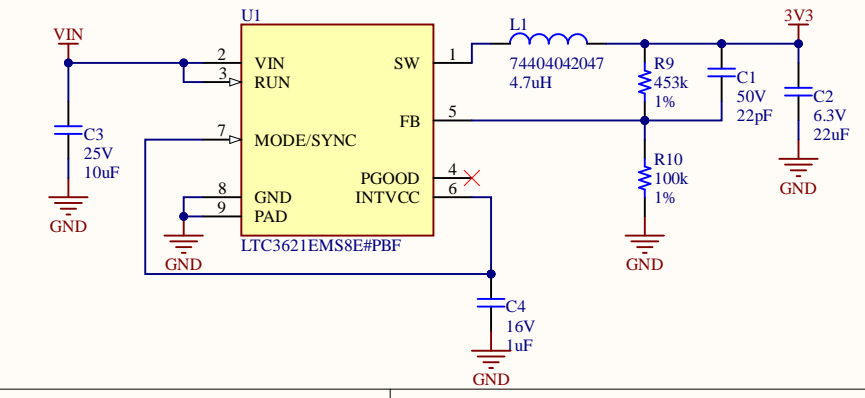
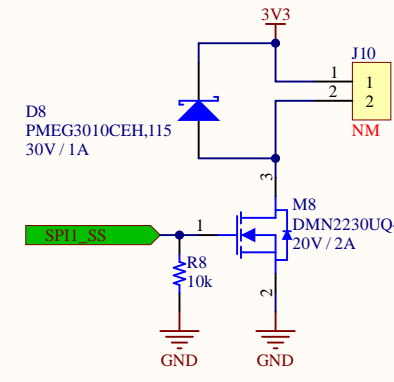
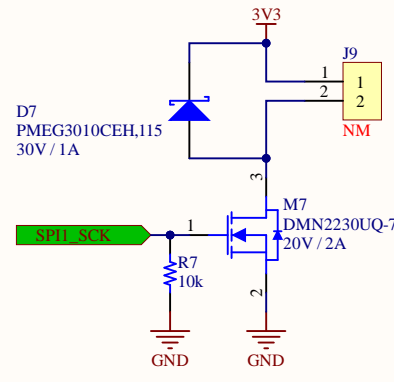
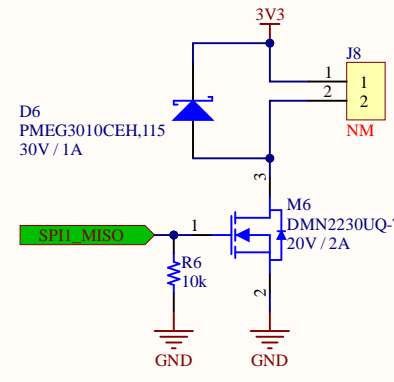
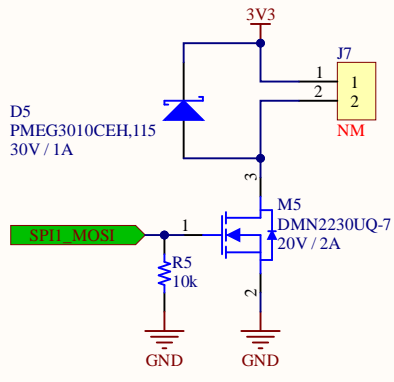
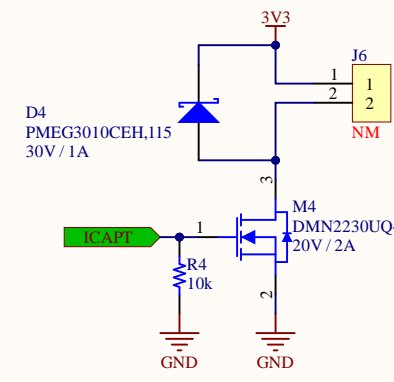
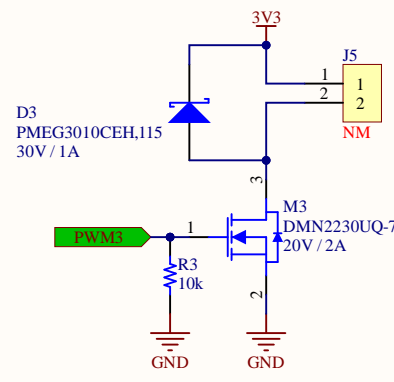
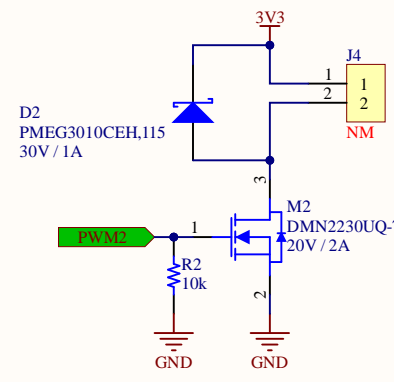
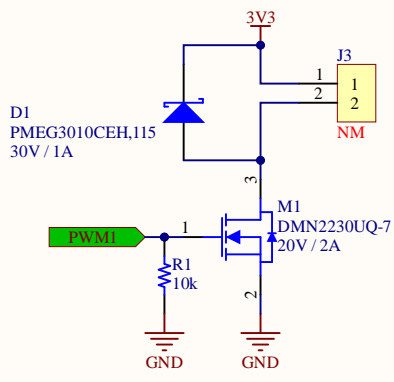




Title: <i>Block Diagram</i>	Version: <i>1.0.0</i>	
Board: <i>Zest_Actuator_OpenDrain</i>	Size: <i>A4</i>	
Project: <i>6TRON</i>	Sheet: <i>1 of 2</i>	
Author: <i>SGA</i>	Date modified: <i>18/05/2022</i>	



Title: <i>Interconnect</i>	Version: <i>1.0.0</i>	
Board: <i>Zest_Actuator_OpenDrain</i>	Size: <i>A4</i>	
Project: <i>6TRON</i>	Sheet: <i>2 of 3</i>	
Author: <i>SGA</i>	Date modified: <i>18/05/2022</i>	



Title: <i>Transistors</i>	Version: <i>1.0.0</i>	 
Board: <i>Zest_Actuator_OpenDrain</i>	Size: <i>A4</i>	
Project: <i>6TRON</i>	Sheet: <i>3 of 3</i>	
Author: <i>SGA</i>	Date modified: <i>18/05/2022</i>	