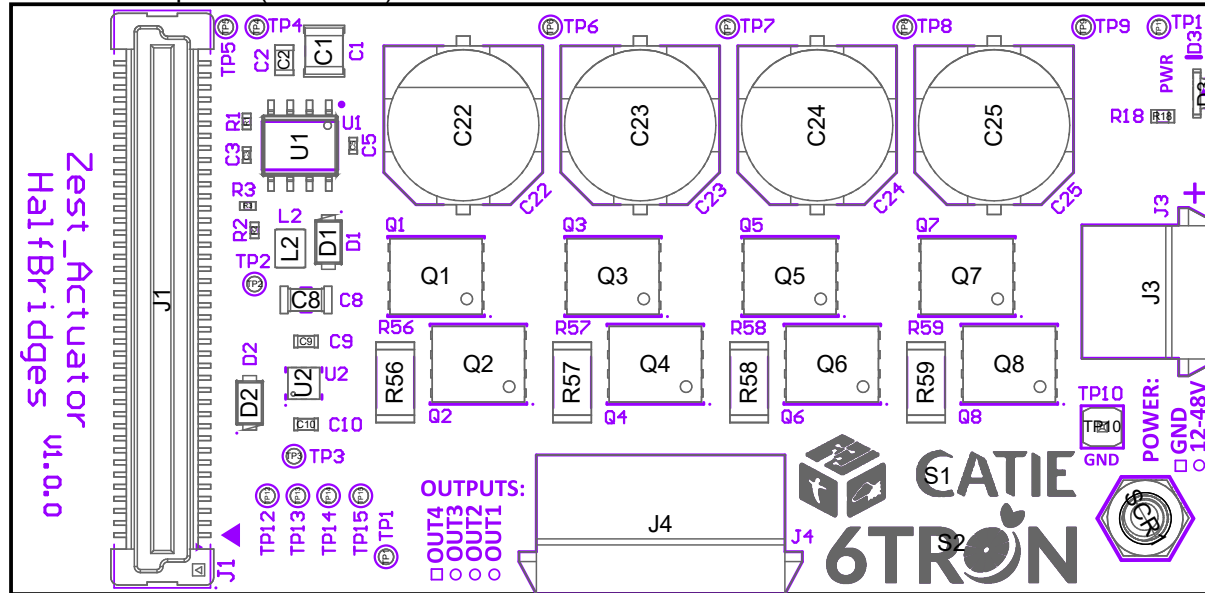
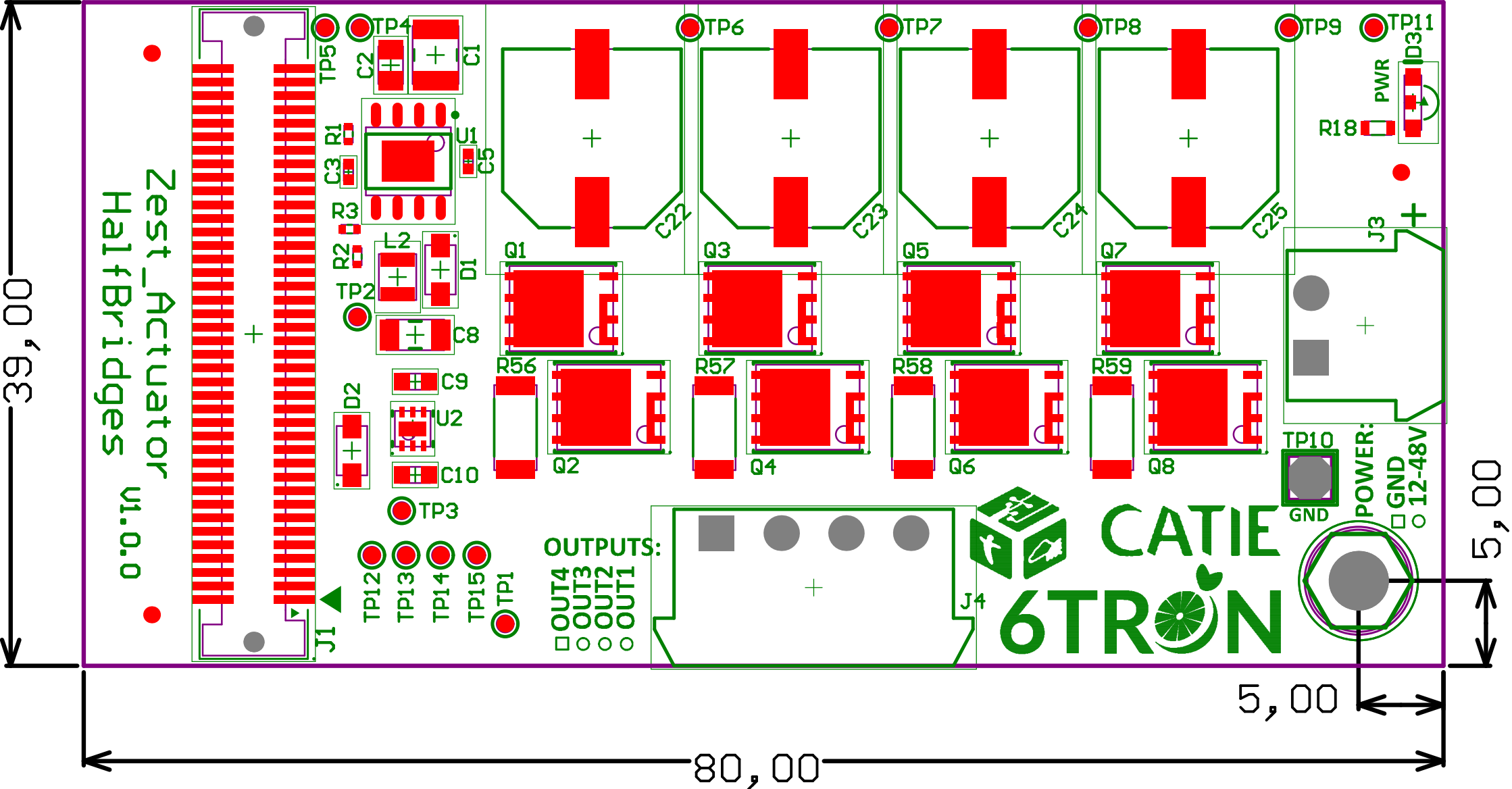


View from Top side (Scale 2:1)



Title: Assembly Drawing	Version: 1.0.0
Board: zest_actuator_halfbridges	Size: A4
Project: 6TRON	Sheet: 1 of 2
Author: ACH	Date: 23/12/2020





6TRON zest_actuator_halfbridges 1.0.0

Board Edge

Top Overlay

Board thickness : 1.55mm

Mechanical
Nbr Layers: 4

Copper finish: 35u (1 oz)

Min track width (and clearance): 0.20mm

Min finished hole diameter: 0.15mm

Min drilling diameter: 0.25mm

Min Annular ring: 0.150mm

Hole density < 2000/dm²

Min milling tool diameter: 0.5mm

Surface finish: Ni/Au selective

Soldermask: Blue

Soldermask: Blue

Surface finish: Ni/Au selective

Min milling tool diameter: 0.5mm

Hole density > 2000\pμm²

Min annular ring: 0.150mm

Min drilling diameter: 0.25mm

Min finished hole diameter: 0.15mm

Min track width (and clearance): 0.20mm

Copper finish: 35μ (1 oz)

Board thickness : 1.5mm

Mechanical

Board Edge

TRON test_actuator_halfbridges 1.0.0

Bottom Overlay

