

S1
Logo CATIE
LOGO_CATIE

S2
Logo 6TRON
LOGO_6TRON

S3
WP5-7-2G
TAKACHI
WP5-7-2G



SCR1
394112X4

Attachment
screws

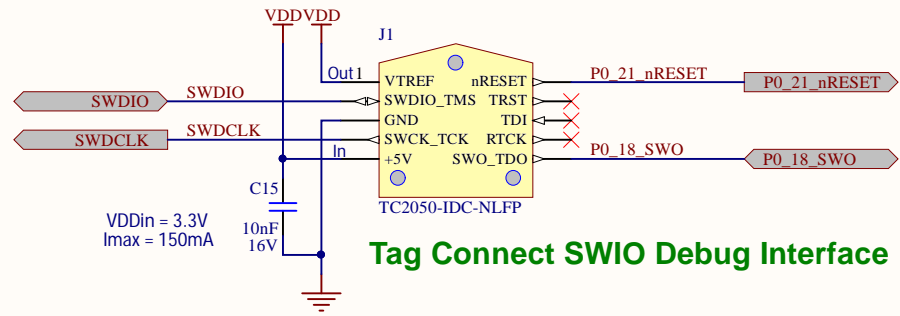
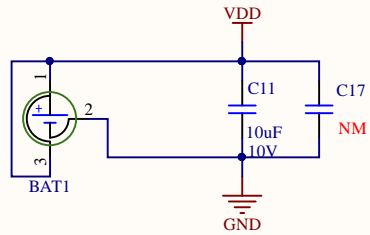
SCR2
394112X4

SCR3
394112X4

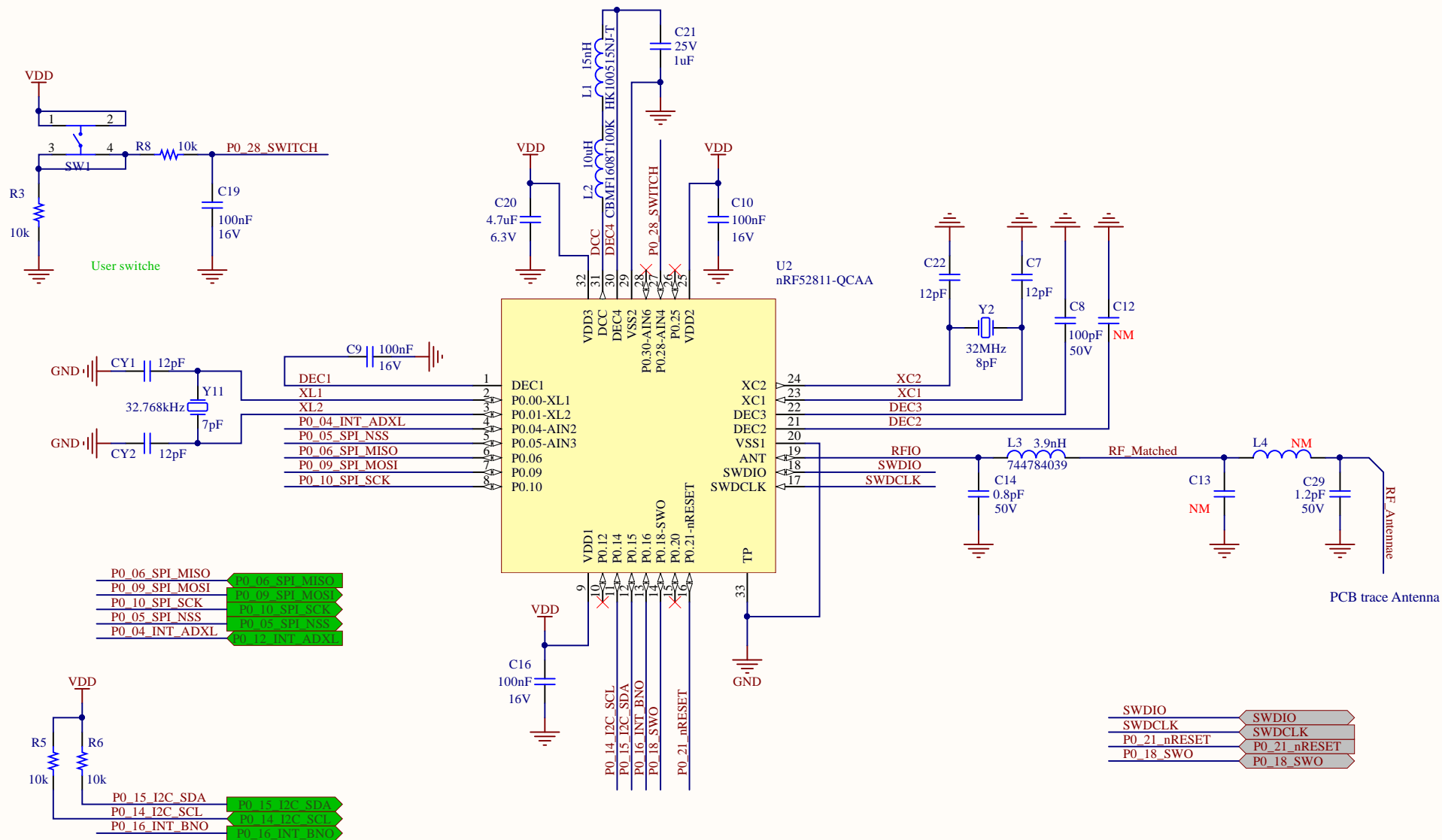
MI1 MI2 MI3
MIRE_POSITIONING

Title: <i>Block definition</i>	Version: <i>1.0.0</i>	 
Board: <i>Z_Beacon</i>	Size: <i>A4</i>	
Project: <i>6TRON</i>	Sheet: <i>1 of 4</i>	
Author: <i>Olivier Chevalerias</i>	Date modified: <i>25/08/2020</i>	

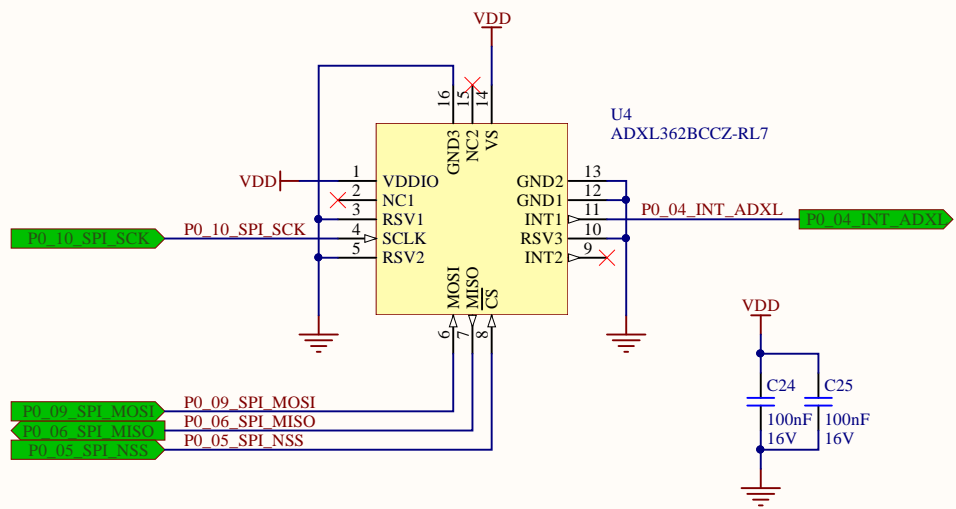
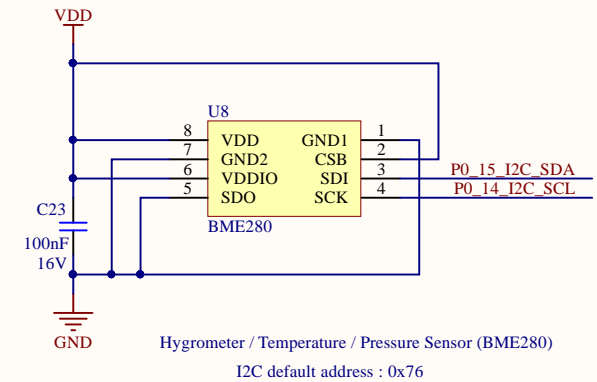
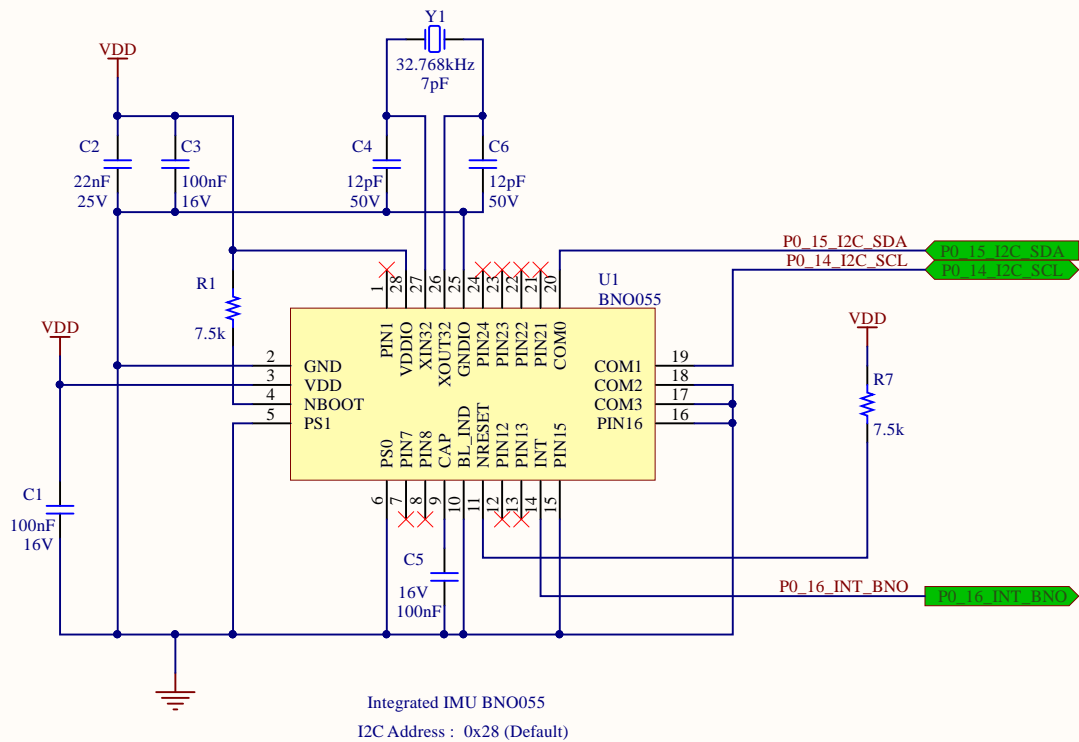
BAT2
CR2450
3V / 620mAh
24mm x 5mm
Ansmann



Title: <i>Power & Programming</i>	Version: <i>1.0.0</i>	
Board: <i>Z_Beacon</i>	Size: <i>A4</i>	
Project: <i>6TRON</i>	Sheet: <i>2 of 4</i>	
Author: <i>Olivier Chevalerias</i>	Date modified: <i>25/08/2020</i>	



Title: <i>Micro & Radio</i>	Version: <i>1.0.0</i>	
Board: <i>Z_Beacon</i>	Size: <i>A4</i>	
Project: <i>6TRON</i>	Sheet: <i>3 of 4</i>	
Author: <i>Olivier Chevalerias</i>	Date modified: <i>25/08/2020</i>	



Title: <i>Sensors</i>	Version: <i>1.0.0</i>	
Board: <i>Z_Beacon</i>	Size: <i>A4</i>	
Project: <i>6TRON</i>	Sheet: <i>4 of 4</i>	
Author: <i>Olivier Chevalerias</i>	Date modified: <i>25/08/2020</i>	