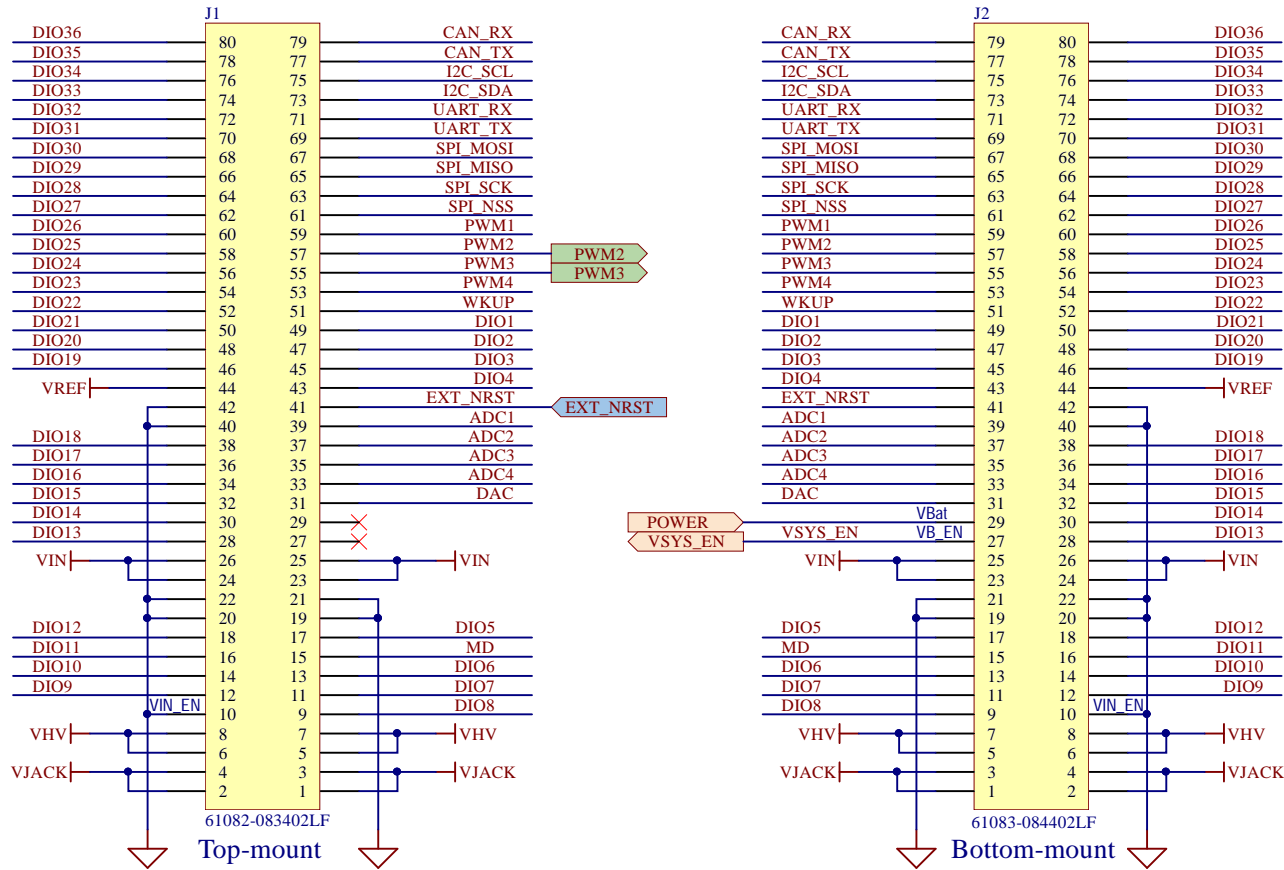


Title: <i>Block Diagram</i>	Version: <i>1.1.0</i>	
Board: <i>Zest_Power_12-48V-to-10V</i>	Size: <i>A4</i>	
Project: <i>6TRON</i>	Sheet: <i>1 of 3</i>	
Author: <i>Olivier Chevalerias</i>	Date modified: <i>09/08/2021</i>	



	R7	R8	R10	R11	Mode
Operating					PFM
Mode	X				DCM
Settings		X			Synchro PWM2
			X		Synchro PWM3
				X*	PWM

X* : Default setting

S1 Logo CATIE
LOGO_CATIE

S2 Logo 6TRON
LOGO_6TRON

S3 Logo ESD-Care
LOGO_ESD_CARE

M11 M12 M13
MIRE_POSITIONING

SCR1
M3 / 16mm
Spacer M3 L16mm
M-F Metal

J17
Gnd pin connect

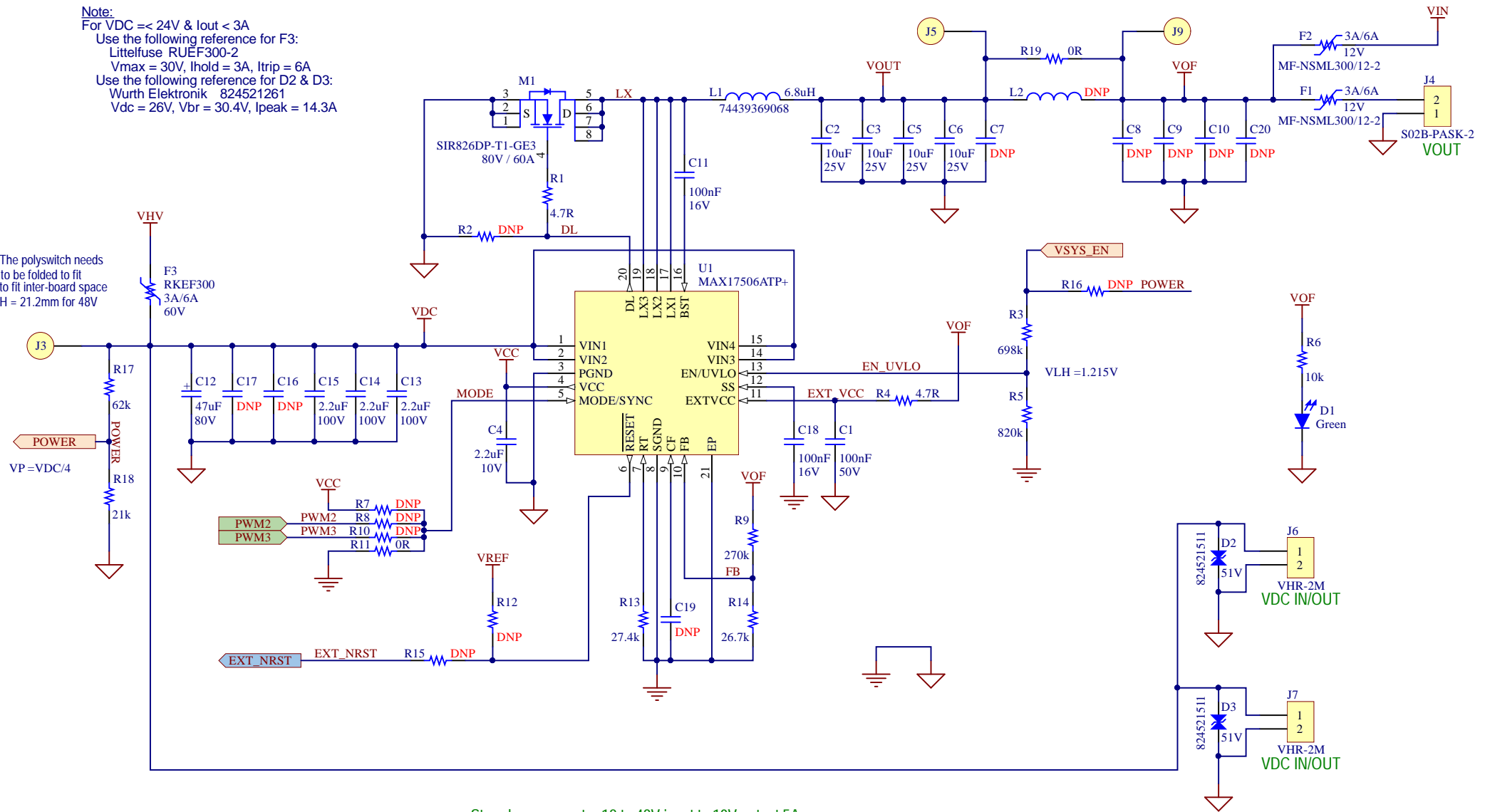
Title: <i>Interconnect</i>	Version: <i>1.1.0</i>	
Board: <i>Zest_Power_12-48V-to-10V</i>	Size: <i>A4</i>	
Project: <i>6TRON</i>	Sheet: <i>2 of 3</i>	
Author: <i>Olivier Chevalerias</i>	Date modified: <i>27/08/2021</i>	

CC BY 4.0

Note:
 For VDC ≤ 24V & Iout < 3A
 Use the following reference for F3:
 Littelfuse RUEF300-2
 Vmax = 30V, Ihold = 3A, Itrip = 6A
 Use the following reference for D2 & D3:
 Würth Elektronik 824521261
 Vdc = 26V, Vbr = 30.4V, Ipeak = 14.3A

The polyswitch needs to be folded to fit to inter-board space
 H = 21.2mm for 48V

Step-down converter 12 to 48V input to 10V output 5A



Title: Power Supply	Version: 1.1.0	
Board: Zest_Power_12-48V-to-10V	Size: A4	
Project: 6TRON	Sheet: 3 of 3	
Author: Olivier Chevalerias	Date modified: 03/02/2022	