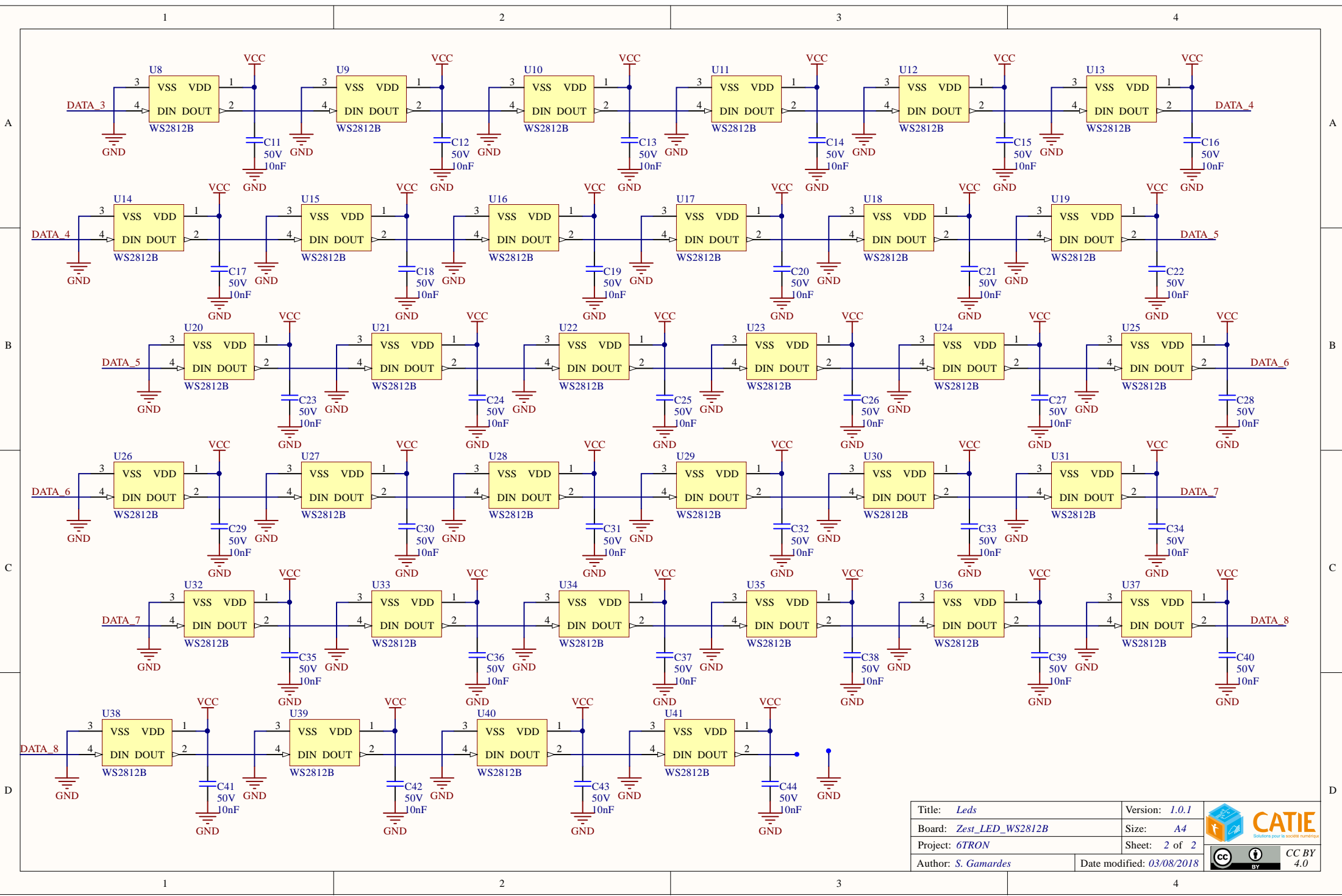



Title: <i>Interface & PSU</i>	Version: <i>1.0.1</i>
Board: <i>Zest_LED_WS2812B</i>	Size: <i>A4</i>
Project: <i>6TRON</i>	Sheet: <i>1 of 2</i>
Author: <i>S. Gamardes</i>	Date modified: <i>26/12/2018</i>





Title: <i>Leds</i>	Version: <i>1.0.1</i>	
Board: <i>Zest_LED_WS2812B</i>	Size: <i>A4</i>	
Project: <i>6TRON</i>	Sheet: <i>2 of 2</i>	
Author: <i>S. Gamardes</i>	Date modified: <i>03/08/2018</i>	

