

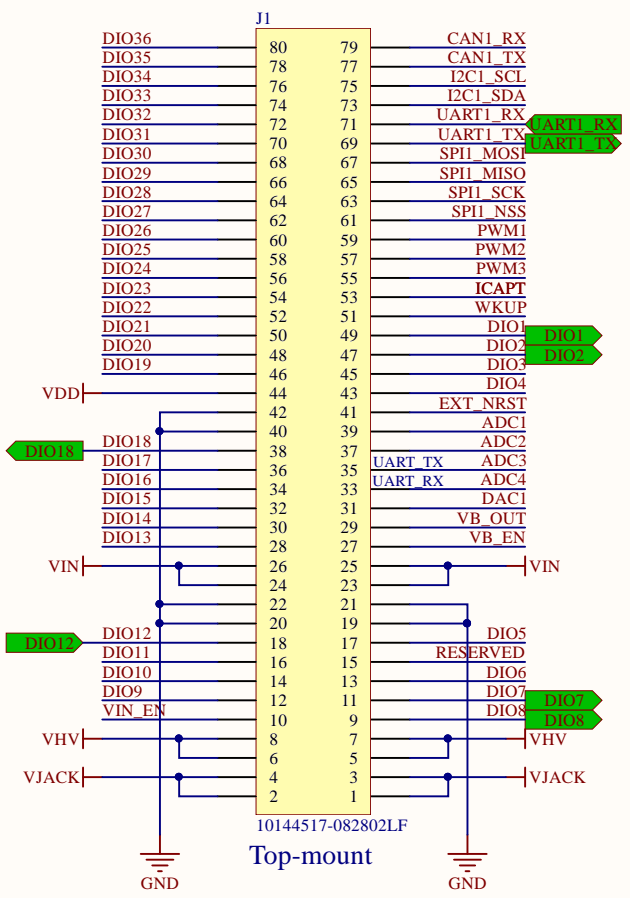
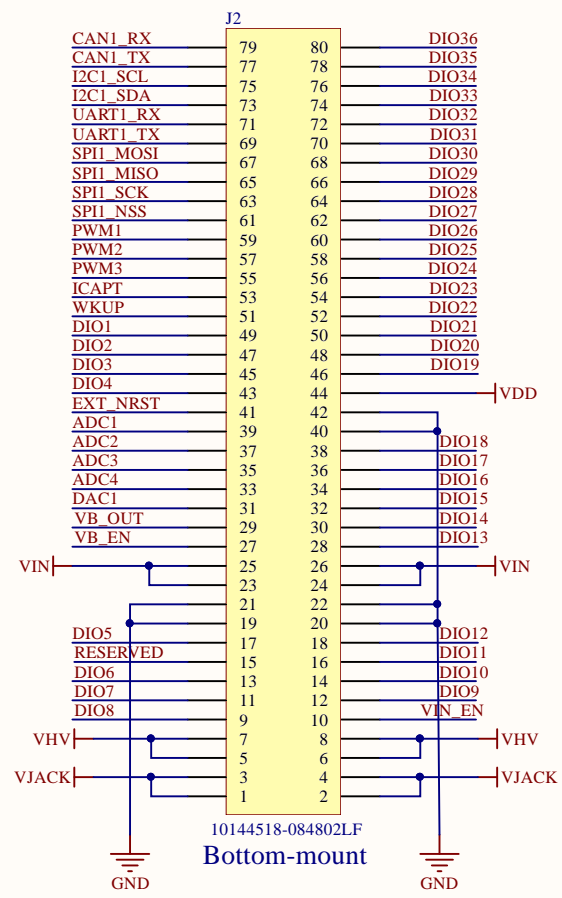


Title: <i>Synoptique</i>	Version: <i>1.0.0</i>	 
Board: <i>Zest_Interface_RS485_No_Isolated</i>	Size: <i>A4</i>	
Project: <i>6Tron</i>	Sheet: <i>1 of 4</i>	
Author: <i>AND</i>	Date modified: <i>10/09/2020</i>	



10144517-082802LF  
Top-mount



10144518-084802LF  
Bottom-mount

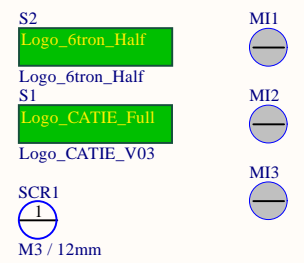
CONFIGURATION

TXD	R4	R6	UART1_TX
	0R	NM	DIO18

RXD	R7	R8	UART1_RX
	0R	NM	DIO12

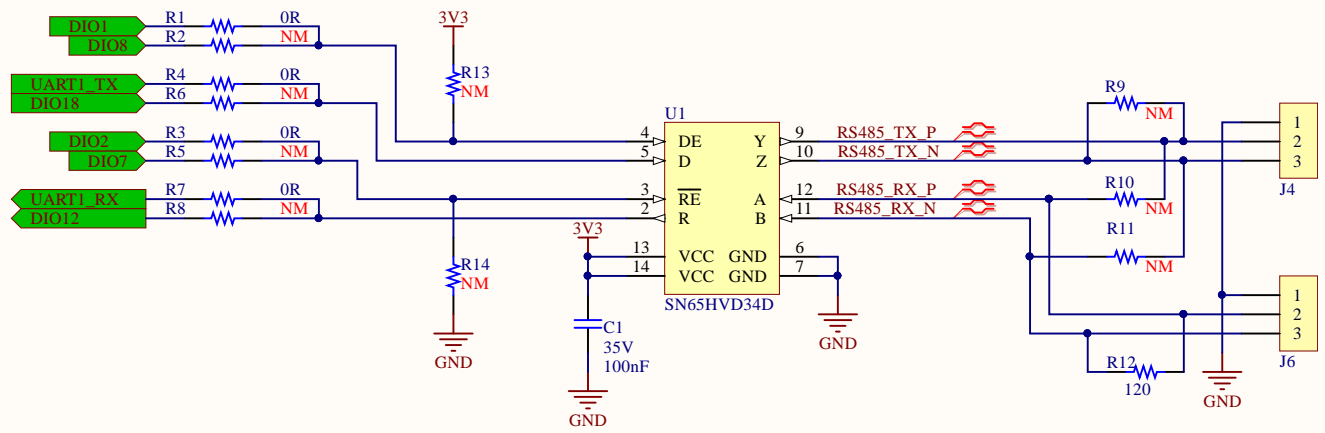
DE	R1	R2	DIO1
	0R	NM	DIO8



/RE	R3	R5	DIO2
	0R	NM	DIO7

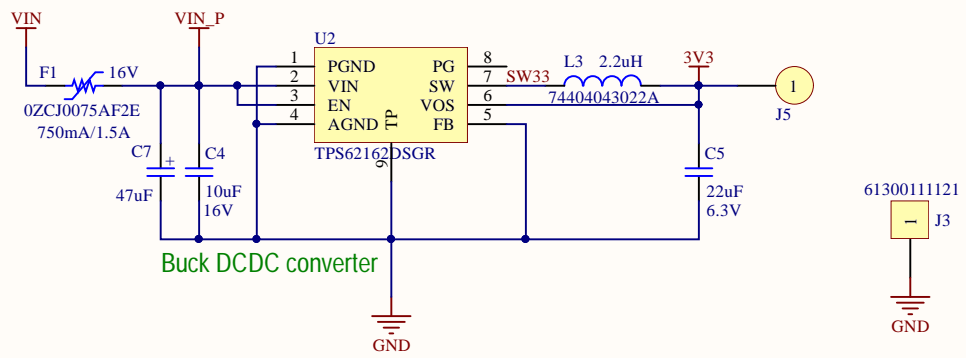




Title: <i>Interconnect</i>	Version: <i>1.0.0</i>	
Board: <i>Zest_Interface_RS485_No_Isolated</i>	Size: <i>A4</i>	
Project: <i>6Tron</i>	Sheet: <i>2 of 4</i>	
Author: <i>AND</i>	Date modified: <i>10/09/2020</i>	





Title: <i>Driver</i>	Version: <i>1.0.0</i>	 
Board: <i>Zest_Interface_RS485_No_Isolated</i>	Size: <i>A4</i>	
Project: <i>6Tron</i>	Sheet: <i>3 of 4</i>	
Author: <i>AND</i>	Date modified: <i>10/09/2020</i>	



Title: <i>Power</i>	Version: <i>1.0.0</i>	
Board: <i>Zest_Interface_RS485_No_Isolated</i>	Size: <i>A4</i>	
Project: <i>6Tron</i>	Sheet: <i>4 of 4</i>	
Author: <i>AND</i>	Date modified: <i>24/08/2020</i>	