

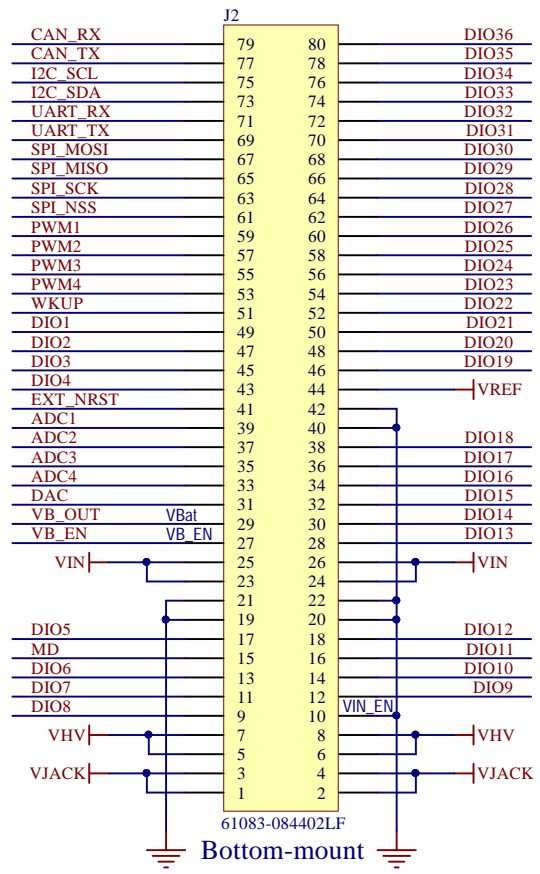
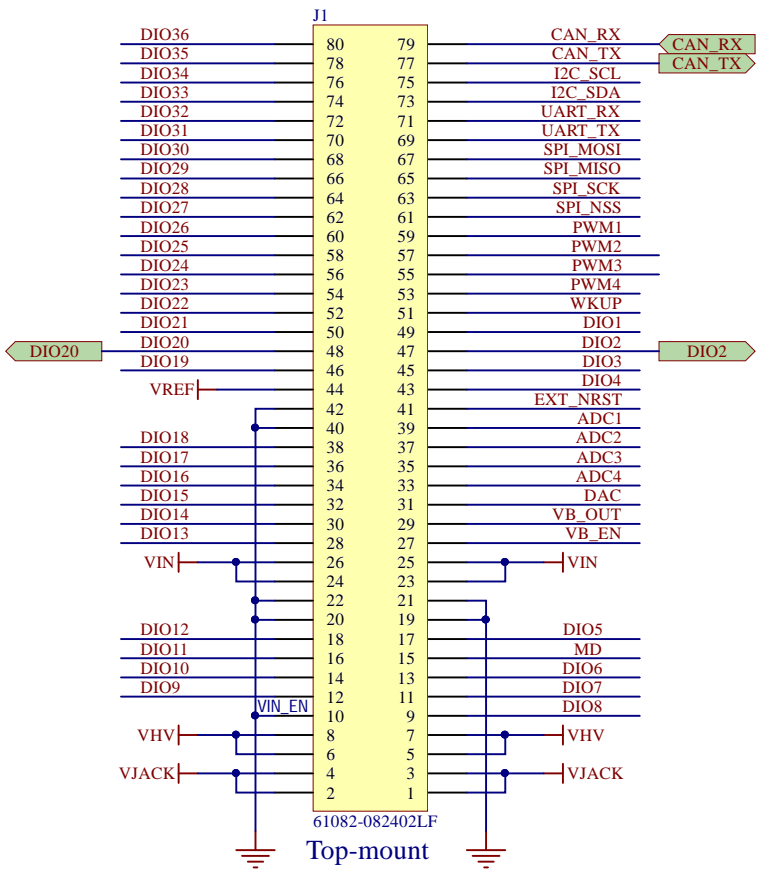


| | | |
|------------------------------------|----------------------------------|--|
| Title: <i>Block Diagram</i> | Version: <i>1.0.0</i> |   |
| Board: <i>Zest_Interface_FDCAN</i> | Size: <i>A4</i> | |
| Project: <i>6TRON</i> | Sheet: <i>1 of 4</i> | |
| Author: <i>Olivier Chevalerias</i> | Date modified: <i>06/09/2021</i> | |

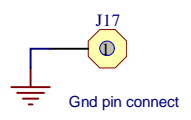
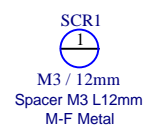
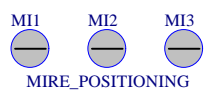


| | J6 | J8 | R13 | R14 | Selection |
|-----------------|-----|-----|-----|-----|-------------|
| Module position | DNP | DNP | X | X | Mid-Node |
| | X* | X* | DNP | DNP | Termination |

| | R10 | R11 | Selection |
|--------|-----|-----|-----------|
| SILENT | X* | | DIO2 |
| | | X | DIO20 |

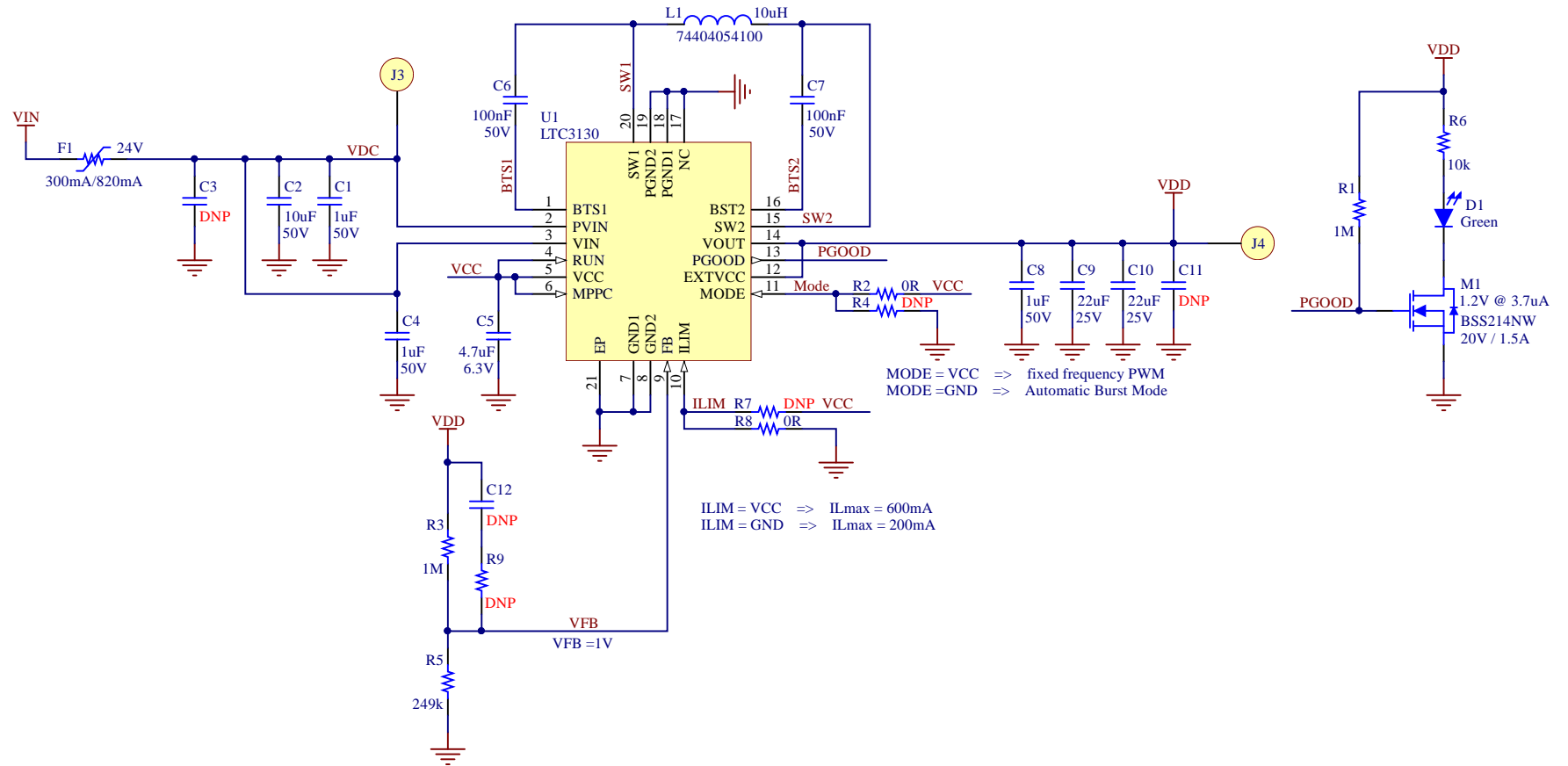
| | R18 | R19 | Selection |
|---------|-----|-----|-----------|
| VSupply | X* | | VHV |
| | | X | VIN |

X* : Default setting

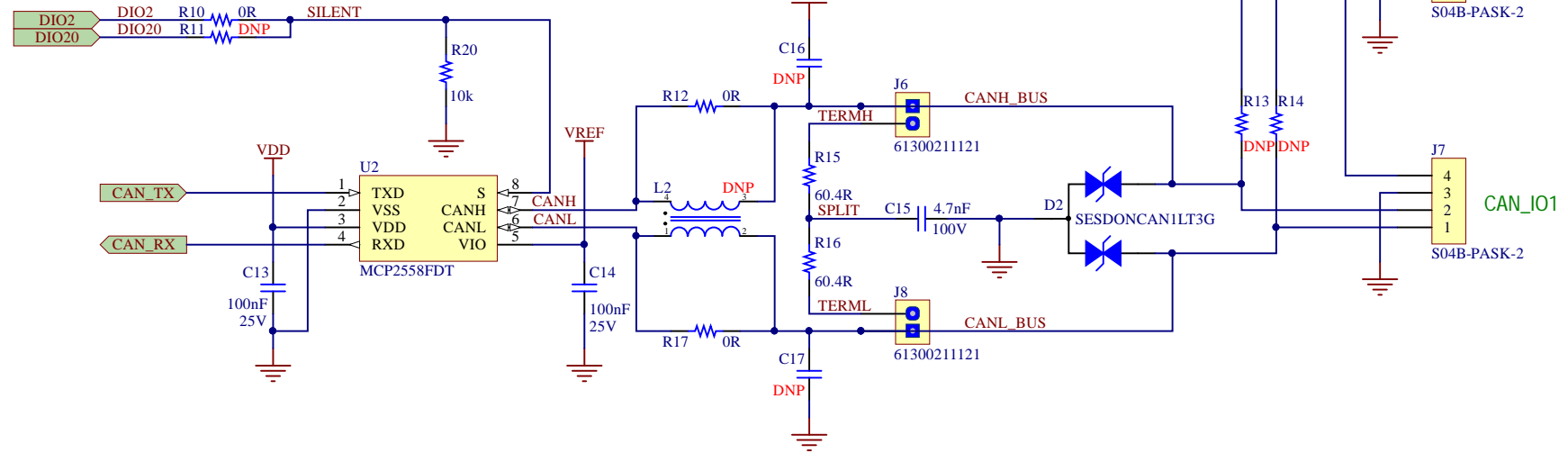




| | | |
|------------------------------------|----------------------------------|--|
| Title: <i>Interconnect</i> | Version: <i>1.0.0</i> | |
| Board: <i>Zest_Interface_FDCAN</i> | Size: <i>A4</i> | |
| Project: <i>6TRON</i> | Sheet: <i>2 of 4</i> | |
| Author: <i>Olivier Chevalerias</i> | Date modified: <i>06/09/2021</i> | |

Buck-Boost converter 3.3 to 12V input to 5V output 200mA



| | | |
|------------------------------------|----------------------------------|--|
| Title: <i>Power Supply</i> | Version: <i>1.0.0</i> | |
| Board: <i>Zest_Interface_FDCAN</i> | Size: <i>A4</i> | |
| Project: <i>6TRON</i> | Sheet: <i>3 of 4</i> | |
| Author: <i>Olivier Chevalerias</i> | Date modified: <i>31/08/2021</i> | |



| | | |
|------------------------------------|----------------------------------|---|
| Title: <i>FD-CAN Tranceiver</i> | Version: <i>1.0.0</i> |  |
| Board: <i>Zest_Interface_FDCAN</i> | Size: <i>A4</i> | |
| Project: <i>6TRON</i> | Sheet: <i>4 of 4</i> | |
| Author: <i>Olivier Chevalerias</i> | Date modified: <i>06/09/2021</i> | |
| | |  |