

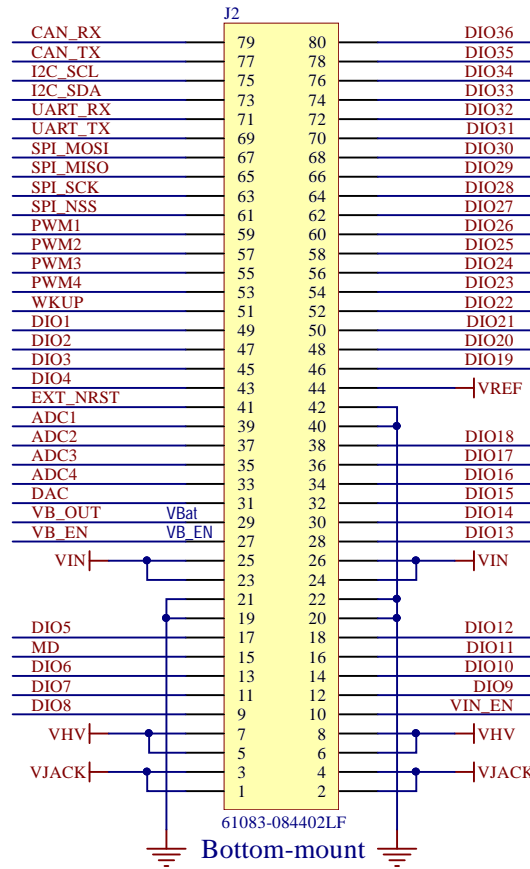
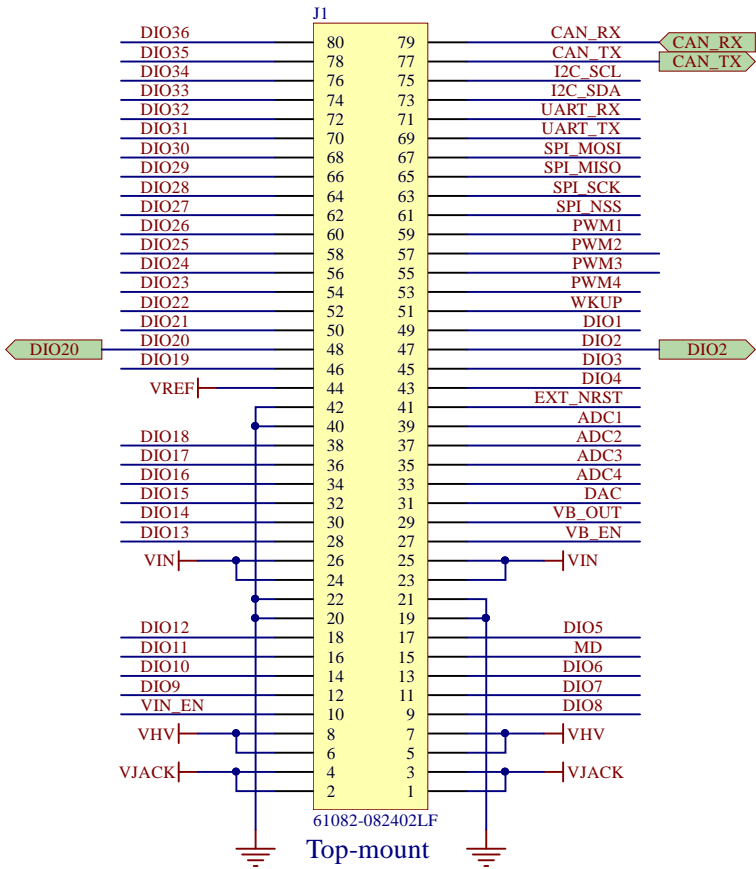


Title: <i>Block Diagram</i>	Version: <i>1.1.0</i>	
Board: <i>Zest_Interface_FDCAN</i>	Size: <i>A4</i>	
Project: <i>6TRON</i>	Sheet: <i>1 of 4</i>	
Author: <i>Olivier Chevalerias</i>	Date modified: <i>06/09/2021</i>	
		

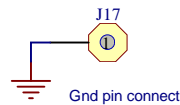
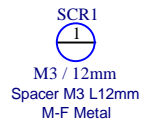


	J6	J8	R13	R14	Selection
Module position	DNP	DNP	X	X	Mid-Node
	X*	X*	DNP	DNP	Termination

	R10	R11	Selection
SILENT	X*		DIO2
		X	DIO20

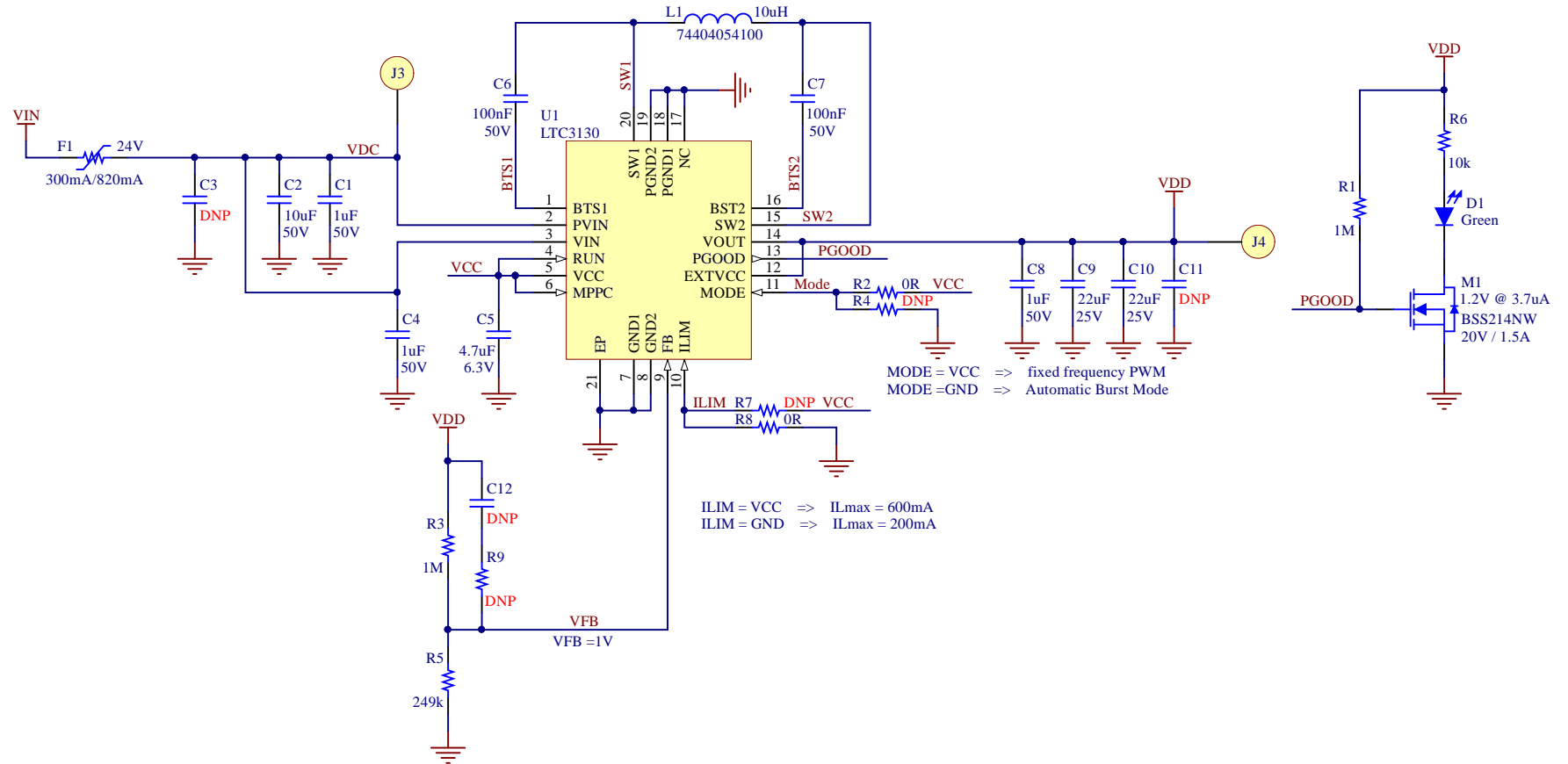
	R18	R19	Selection
VSupply	X*		VHV
		X	VIN



X* : Default setting

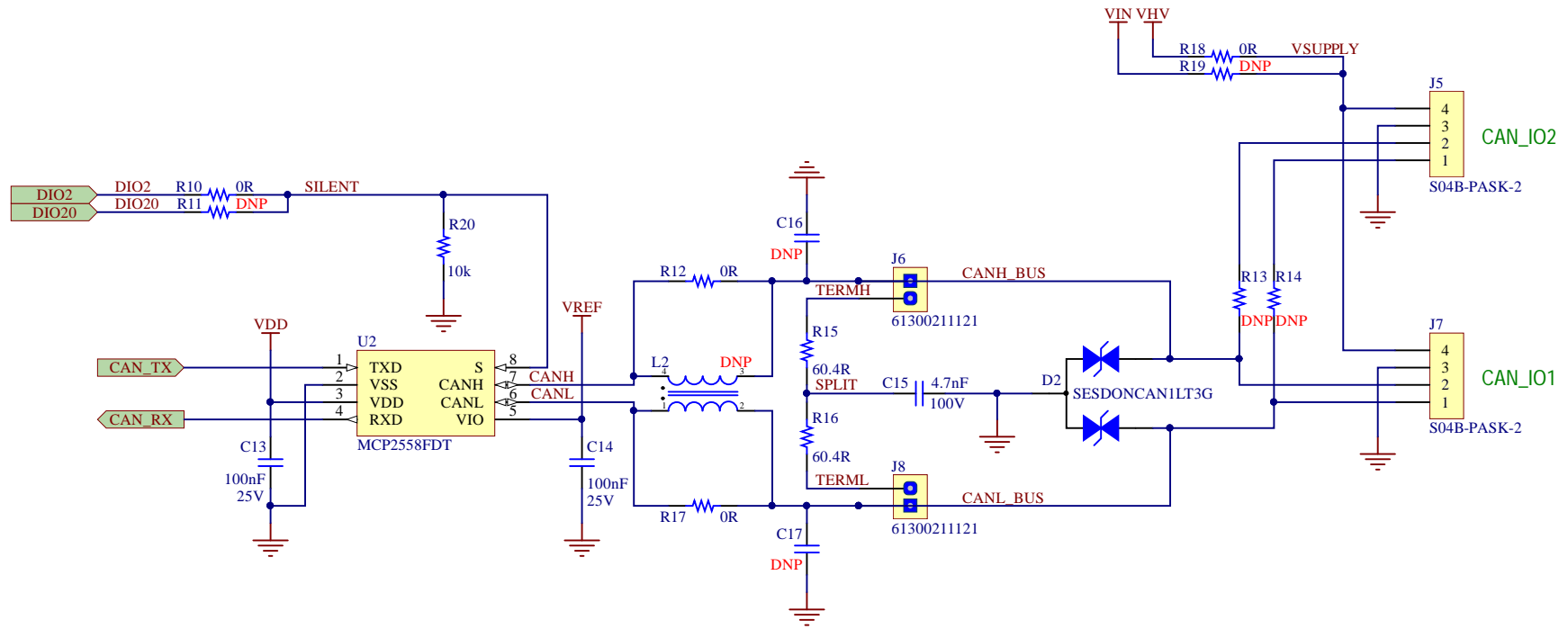



Title: <i>Interconnect</i>	Version: <i>1.1.0</i>	
Board: <i>Zest_Interface_FDCAN</i>	Size: <i>A4</i>	
Project: <i>6TRON</i>	Sheet: <i>2 of 4</i>	
Author: <i>Olivier Chevalerias</i>	Date modified: <i>25/01/2022</i>	

Buck-Boost converter 3.3 to 12V input to 5V output 200mA



Title: <i>Power Supply</i>	Version: <i>1.1.0</i>	
Board: <i>Zest_Interface_FDCAN</i>	Size: <i>A4</i>	
Project: <i>6TRON</i>	Sheet: <i>3 of 4</i>	
Author: <i>Olivier Chevalerias</i>	Date modified: <i>31/08/2021</i>	



Title: <i>FD-CAN Tranceiver</i>	Version: <i>1.1.0</i>	
Board: <i>Zest_Interface_FDCAN</i>	Size: <i>A4</i>	
Project: <i>6TRON</i>	Sheet: <i>4 of 4</i>	
Author: <i>Olivier Chevalerias</i>	Date modified: <i>08/09/2021</i>	

