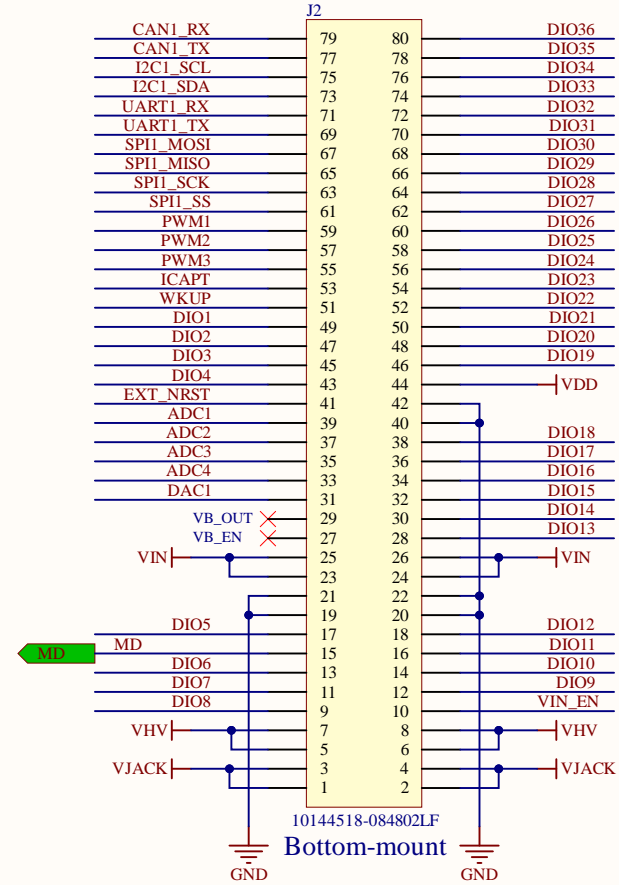
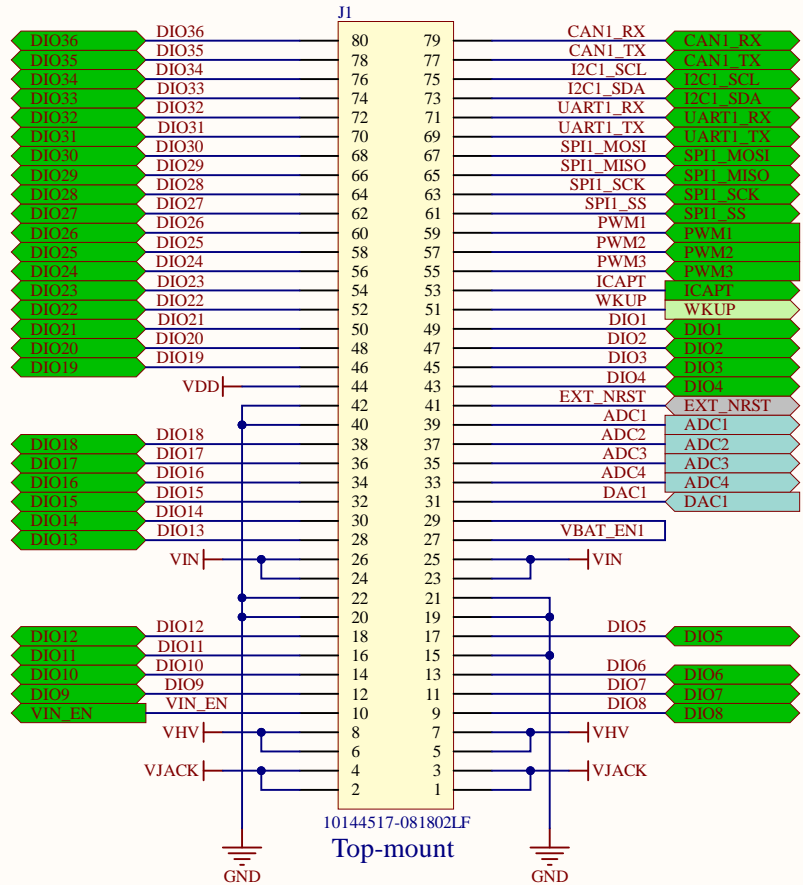


Title: <i>Block Diagram</i>	Version: <i>1.0.0</i>	
Board: <i>Zest_Core_STM32L562VE</i>	Size: <i>A4</i>	
Project: <i>6TRON</i>	Sheet: <i>1 of 5</i>	
Author: <i>RDE</i>	Date modified: <i>08/04/2021</i>	



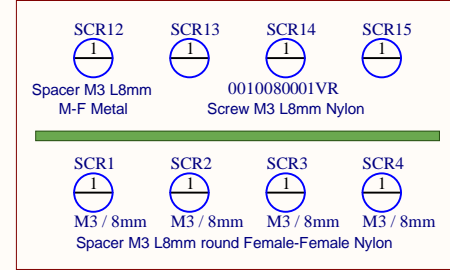
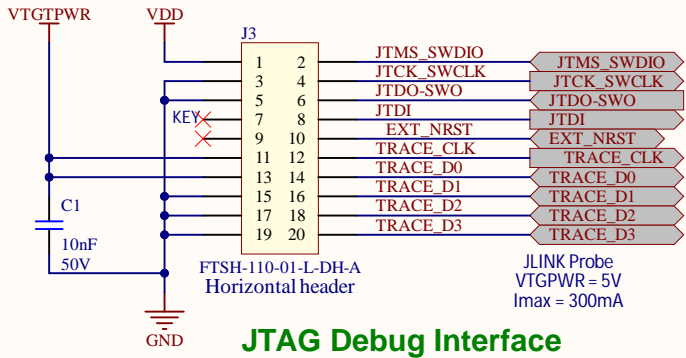


Mount to force Daughter fonction	R19	X	Unmount
		x	Mount

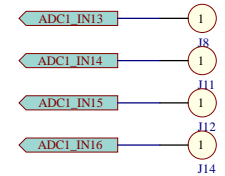
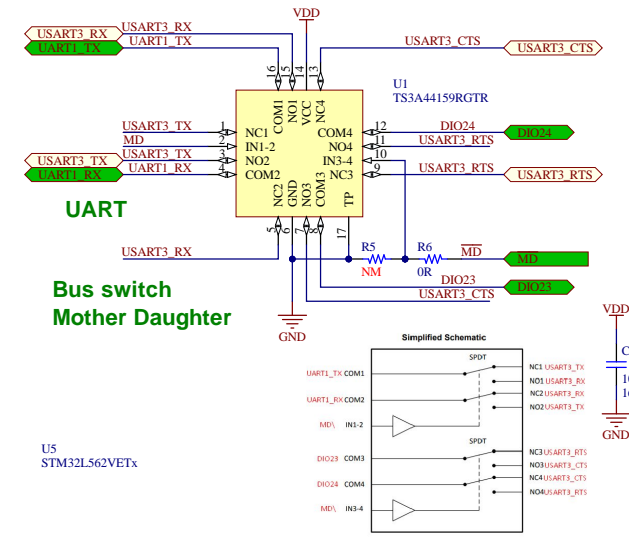
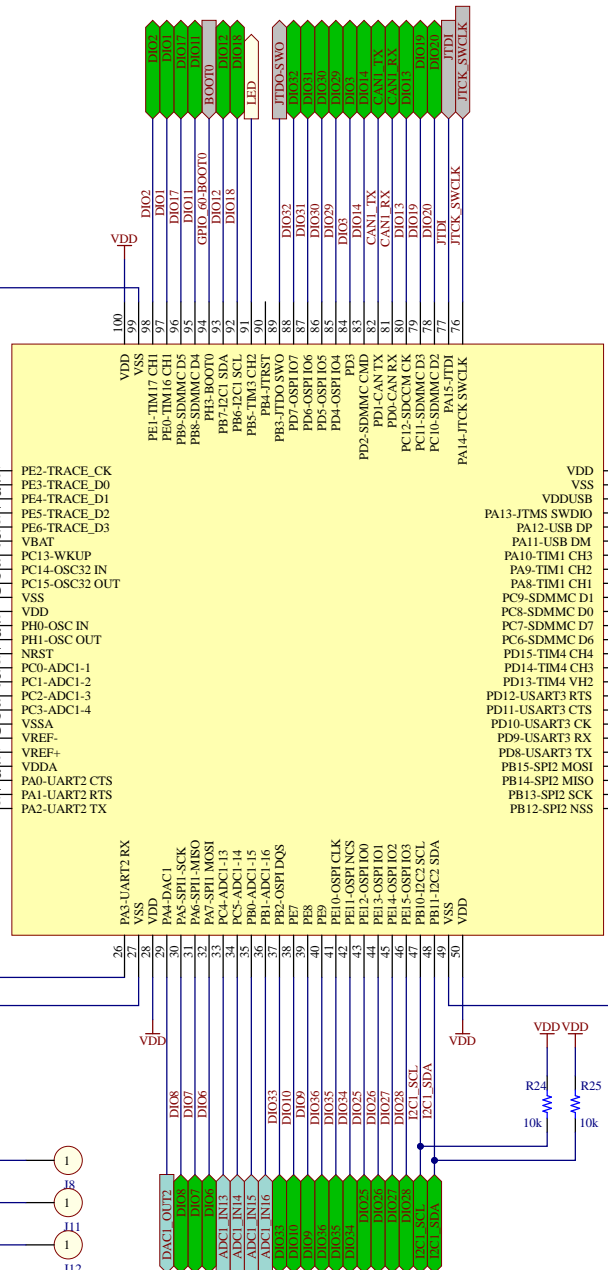
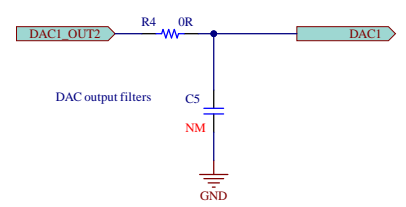
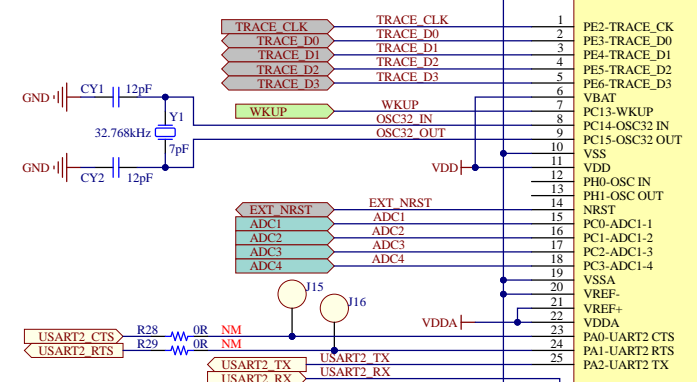
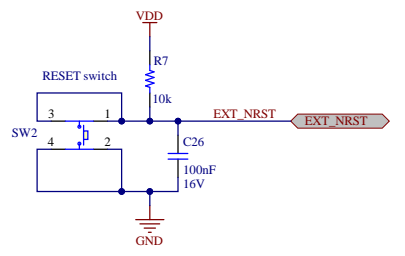
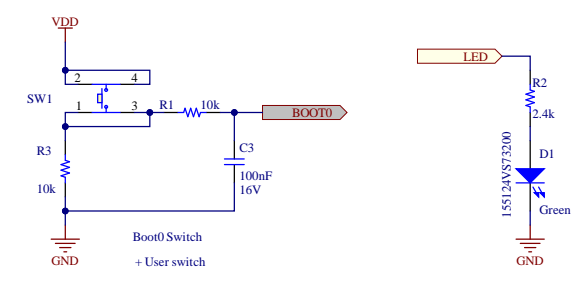
Mount to disable UART1 inversion When MD is High	R5	X	Unmount
		x	Mount

Mount to have FTDI UART flow control	R28	X	X	Unmount
		x	x	Mount



VDD = 3.3V	R13	X	X		Unmount	
				X	X	Mount
VDD = 1.8V				x	x	Unmount
		x	x			Mount

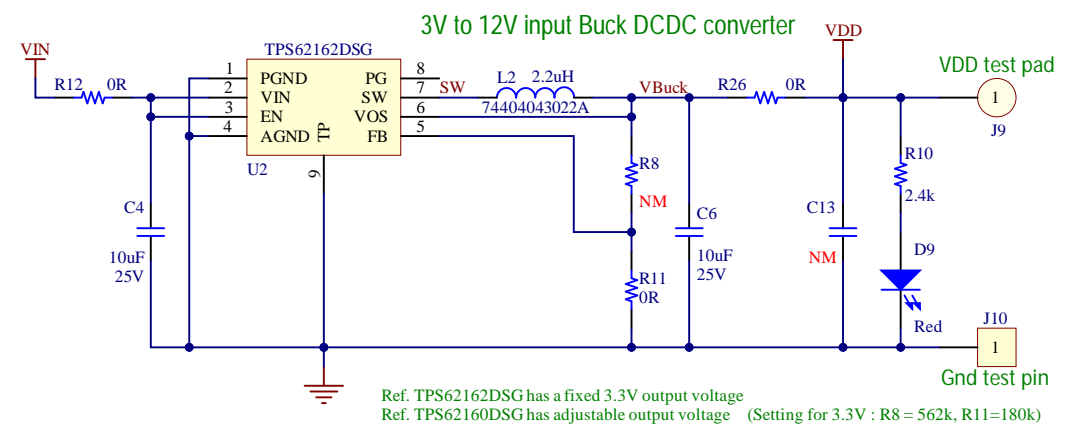
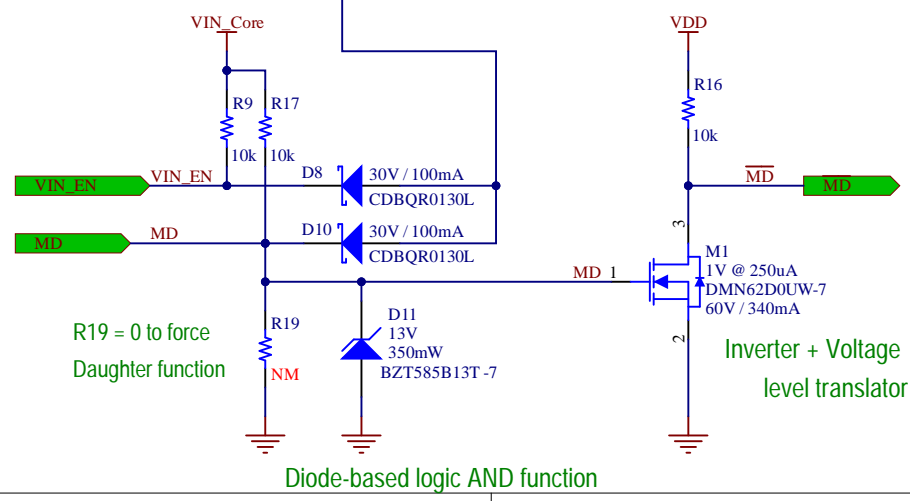
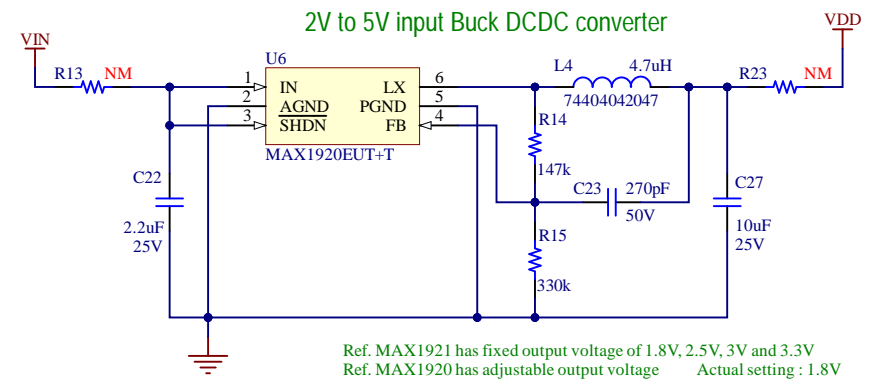
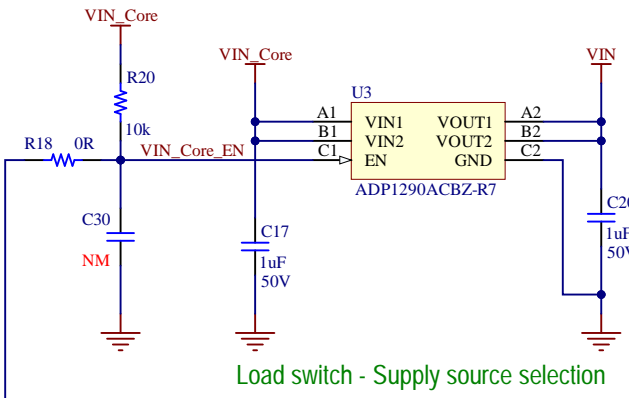
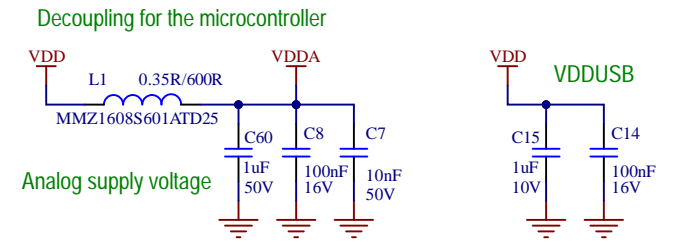
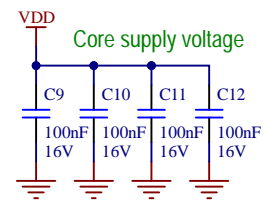
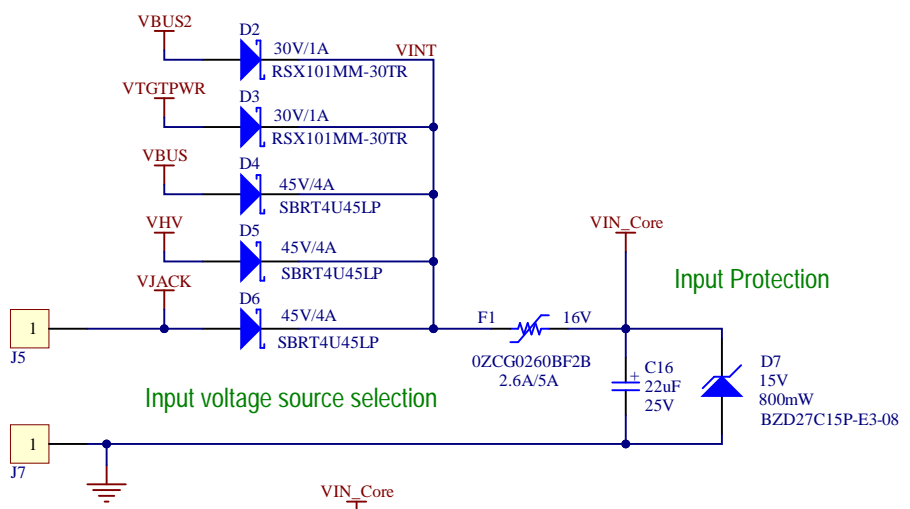


Title: <i>Interconnect</i>	Version: 1.0.0	
Board: <i>Zest_Core_STM32L562VE</i>	Size: <i>A4</i>	
Project: <i>6TRON</i>	Sheet: 2 of 5	
Author: <i>R. Denieport</i>	Date modified: <i>07/05/2021</i>	



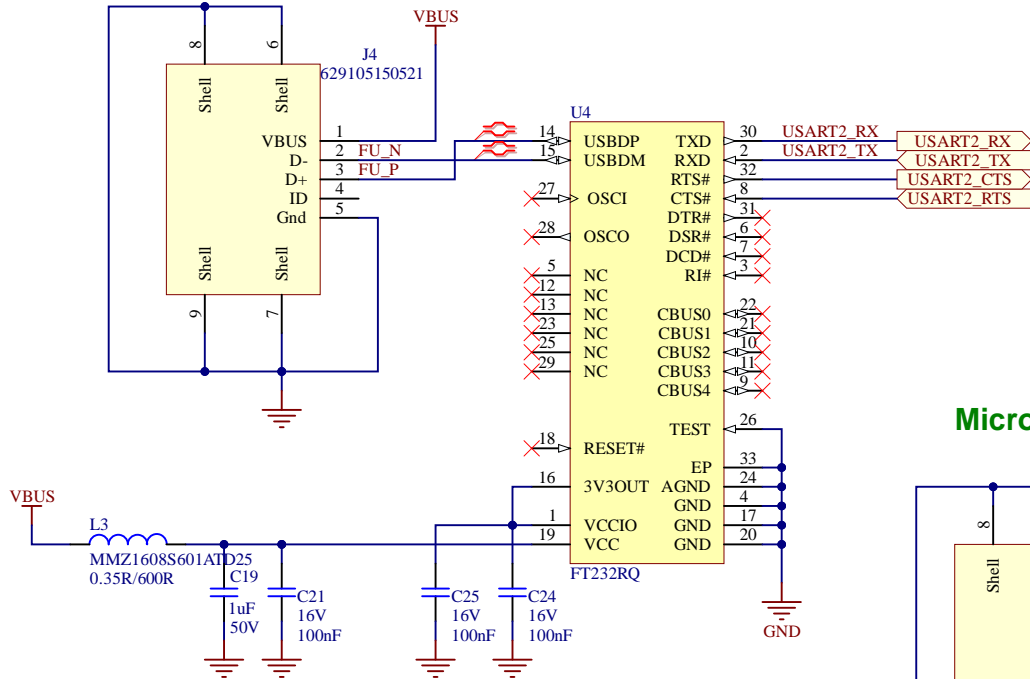
Title: <i>Micro</i>	Version: 1.0.0
Board: <i>Zest_Core_STM32L562VE</i>	Size: A3
Project: <i>6TRON</i>	Sheet: 3 of 5
Author: <i>R. Denieport</i>	Date modified: 19/05/2021

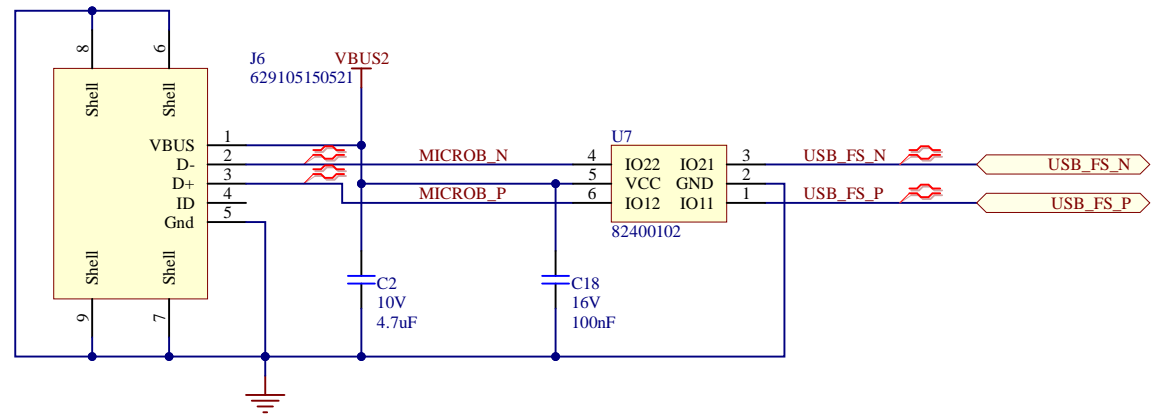




Title: Power Supply	Version: 1.0.0	
Board: Zest_Core_STM32L562VE	Size: A4	
Project: 6TRON	Sheet: 4 of 5	
Author: R. Denieport	Date modified: 07/05/2021	

## DEBUG UART OVER USB



## Microcontroller USB



Title: <i>USB</i>	Version: <i>1.0.0</i>	 
Board: <i>Zest_Core_STM32L562VE</i>	Size: <i>A4</i>	
Project: <i>6TRON</i>	Sheet: <i>5 of 5</i>	
Author: <i>RDE</i>	Date modified: <i>07/05/2021</i>	