

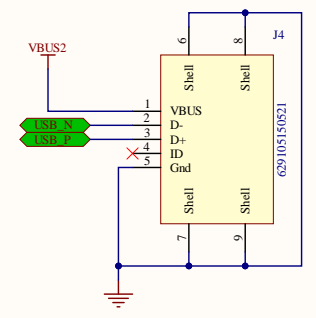
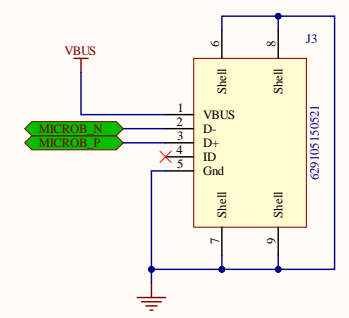
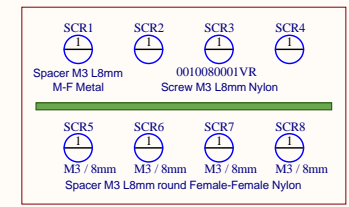
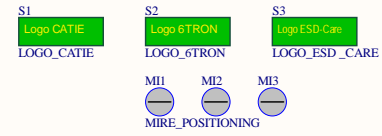
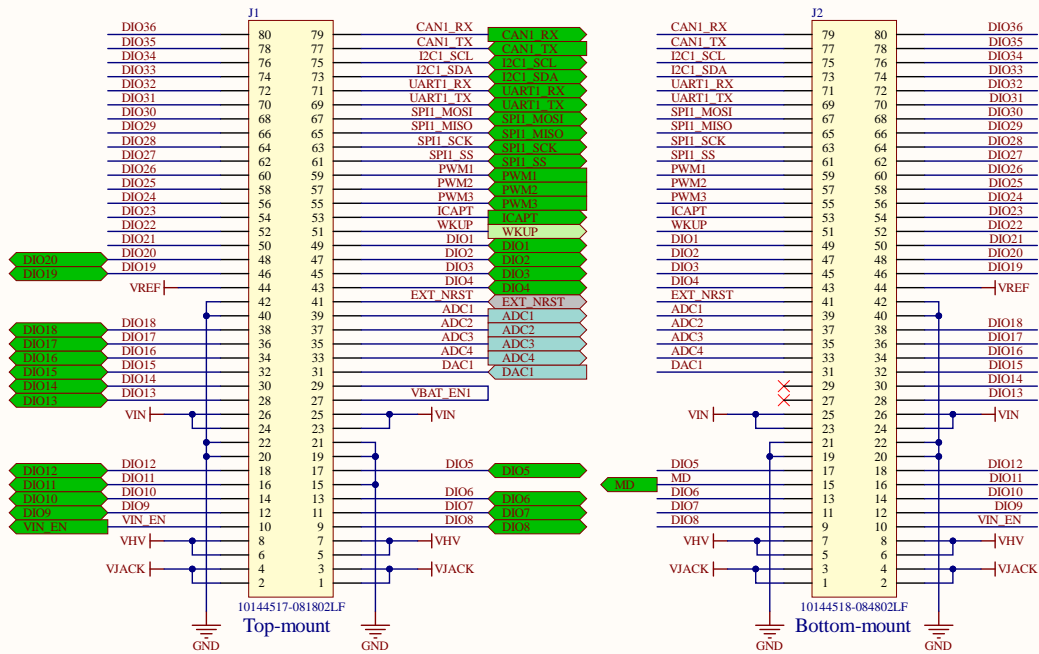
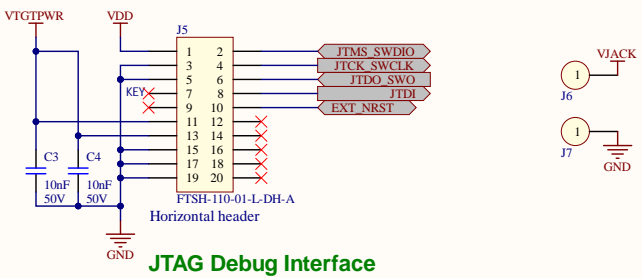
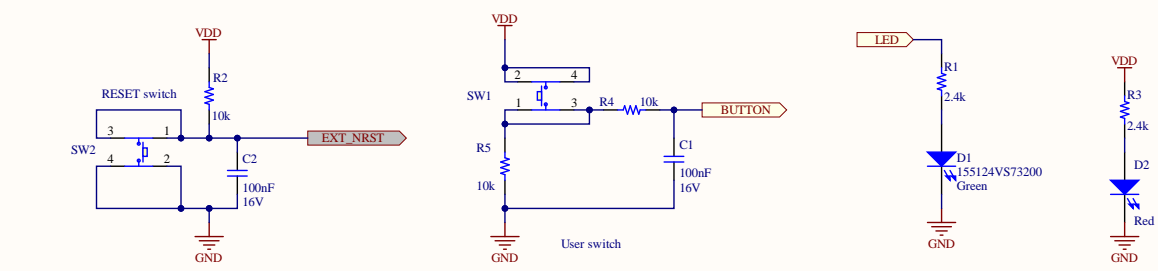


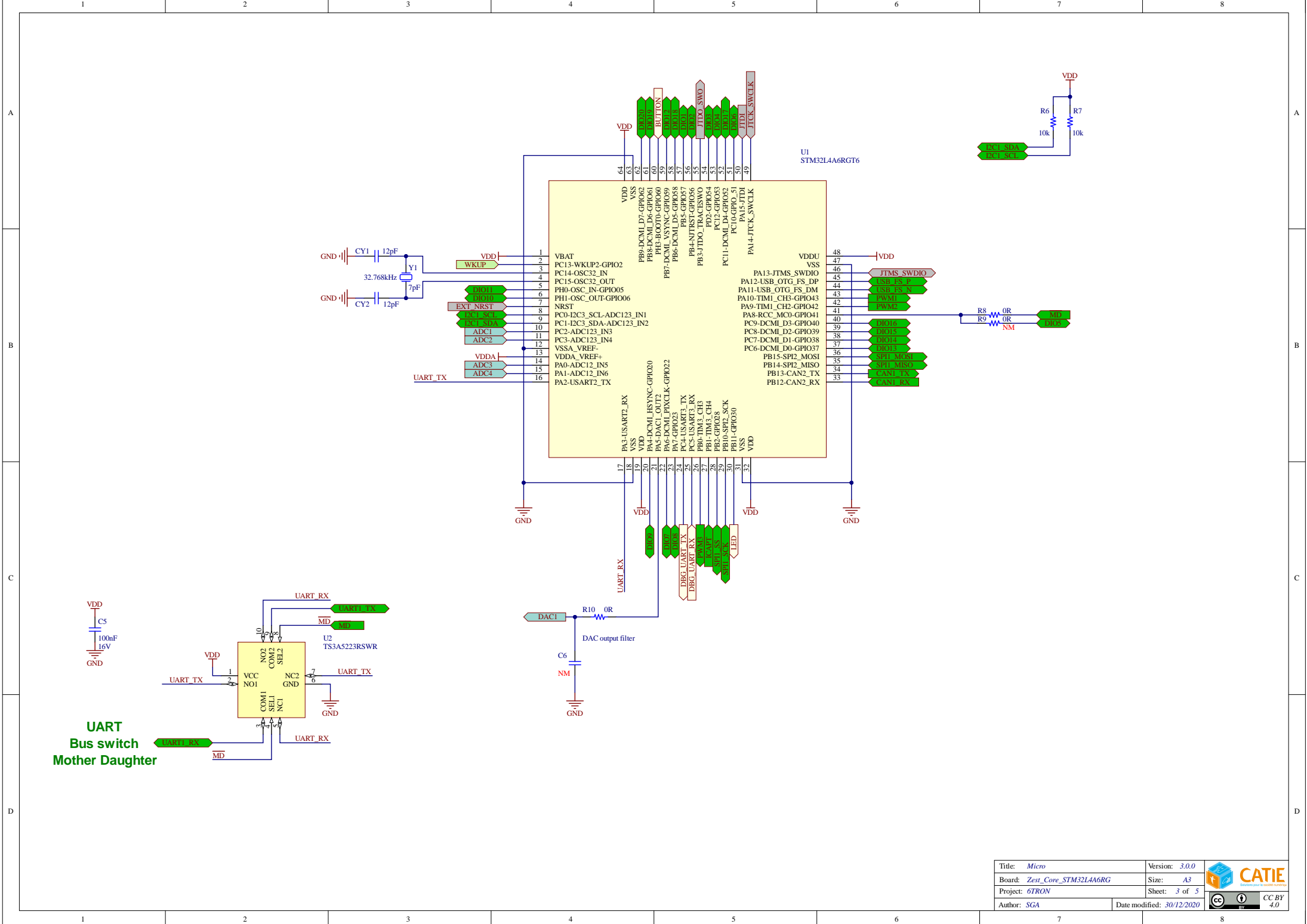
Title: <i>Block Diagram</i>	Version: <i>3.0.0</i>	 
Board: <i>Zest_Core_STM32L4A6RG</i>	Size: <i>A4</i>	
Project: <i>6TRON</i>	Sheet: <i>1 of 5</i>	
Author: <i>SGA</i>	Date modified: <i>30/12/2020</i>	




R8	R9
PD15	X*
	/MD
	x
	DIO5

*: By default

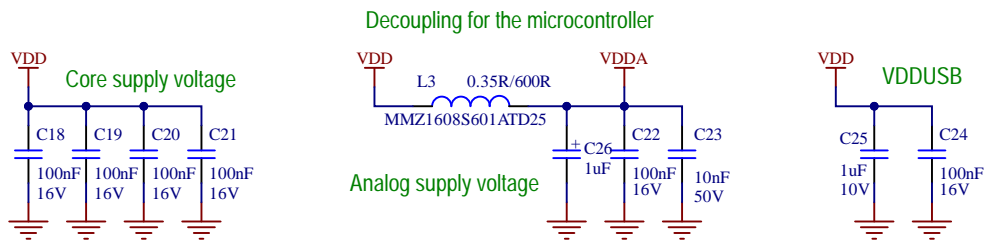
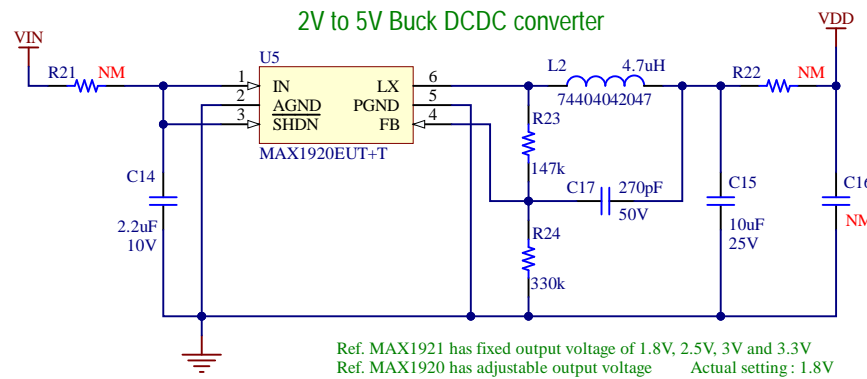
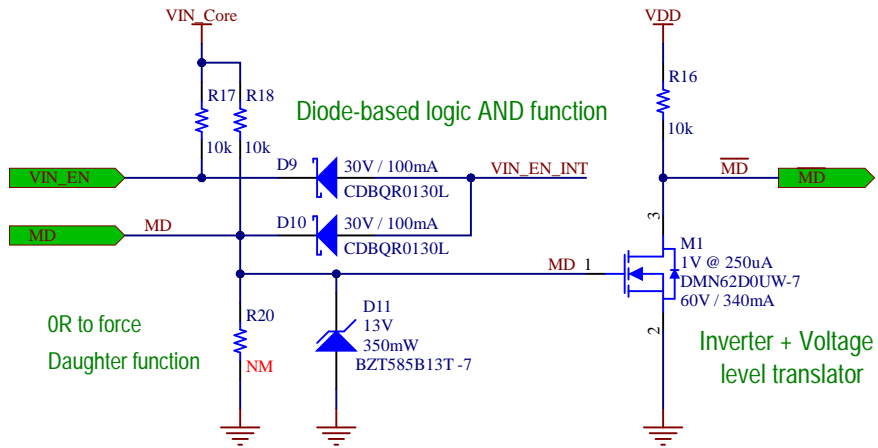
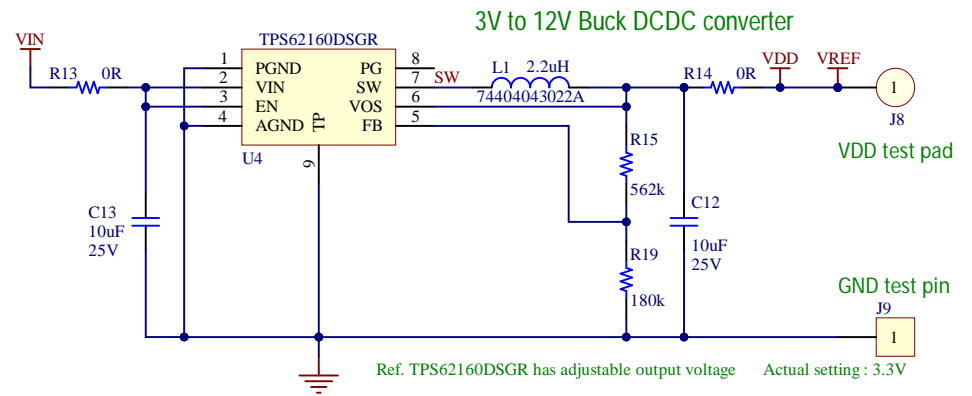
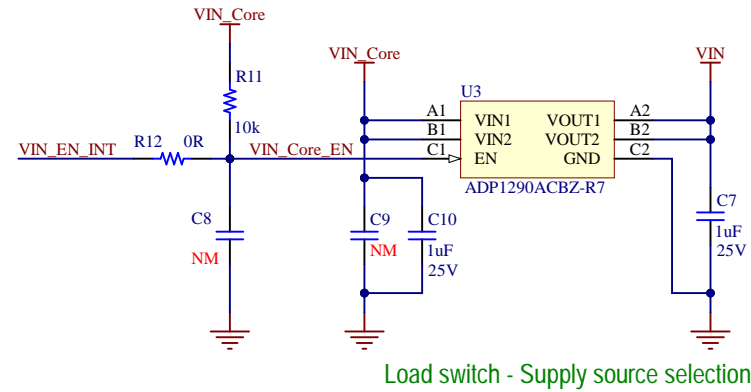
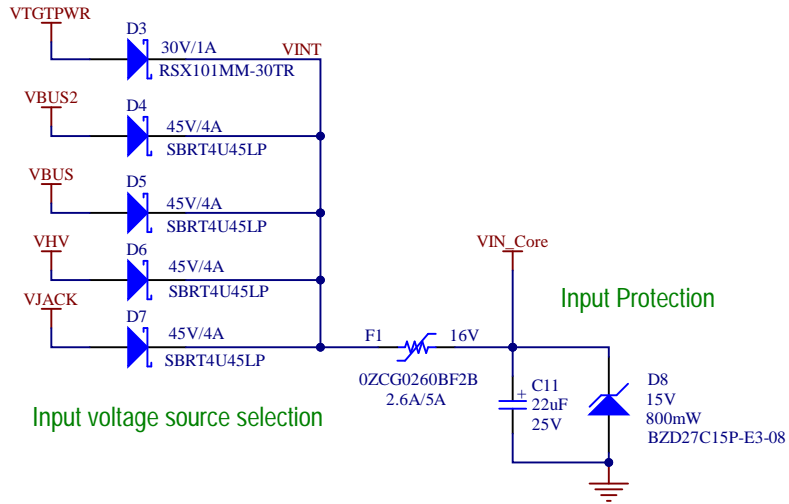






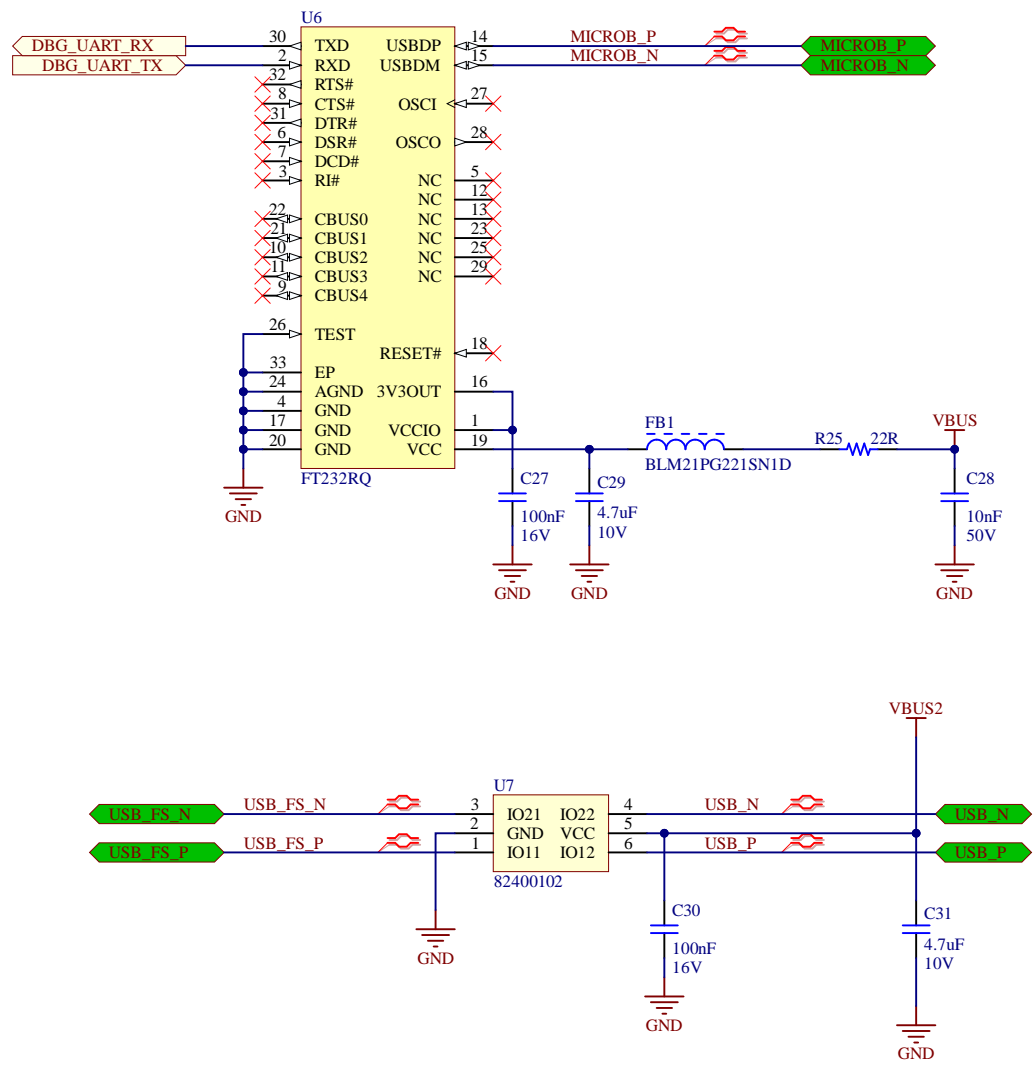
UART
Bus switch
Mother Daughter

Title: <i>Micro</i>	Version: <i>3.0.0</i>	 <small>Copyright © 2019 CATIE</small>
Board: <i>Zest_Core_STM32L4A6RG</i>	Size: <i>A3</i>	
Project: <i>6TRON</i>	Sheet: <i>3 of 5</i>	
Author: <i>SGA</i>	Date modified: <i>30/12/2020</i>	





Title: <i>Power Supply</i>	Version: <i>3.0.0</i>	 CATIE <small>Soluții pentru la societăți românești</small>
Board: <i>Zest_Core_STM32LAA6RG</i>	Size: <i>A4</i>	
Project: <i>6TRON</i>	Sheet: <i>4 of 5</i>	
Author: <i>SGA</i>	Date modified: <i>30/12/2020</i>	
		 CC BY 4.0



Title: <i>USB</i>	Version: <i>3.0.0</i>	
Board: <i>Zest_Core_STM32LAA6RG</i>	Size: <i>A4</i>	
Project: <i>6TRON</i>	Sheet: <i>5 of 5</i>	
Author: <i>SGA</i>	Date modified: <i>30/12/2020</i>	