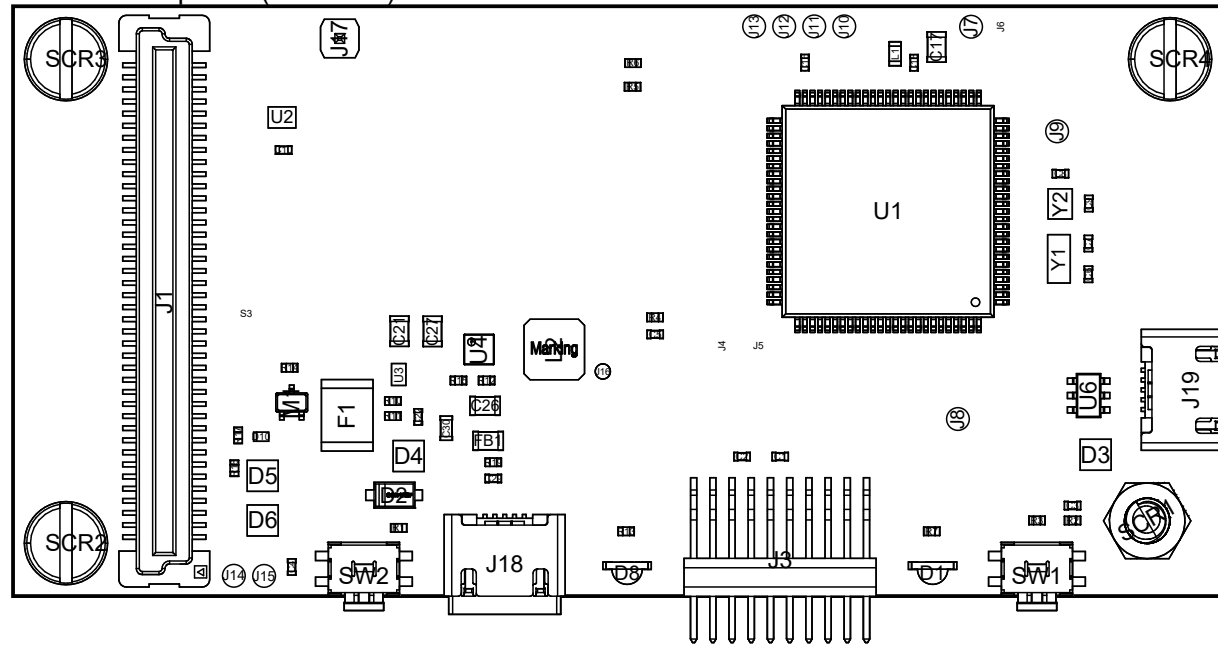

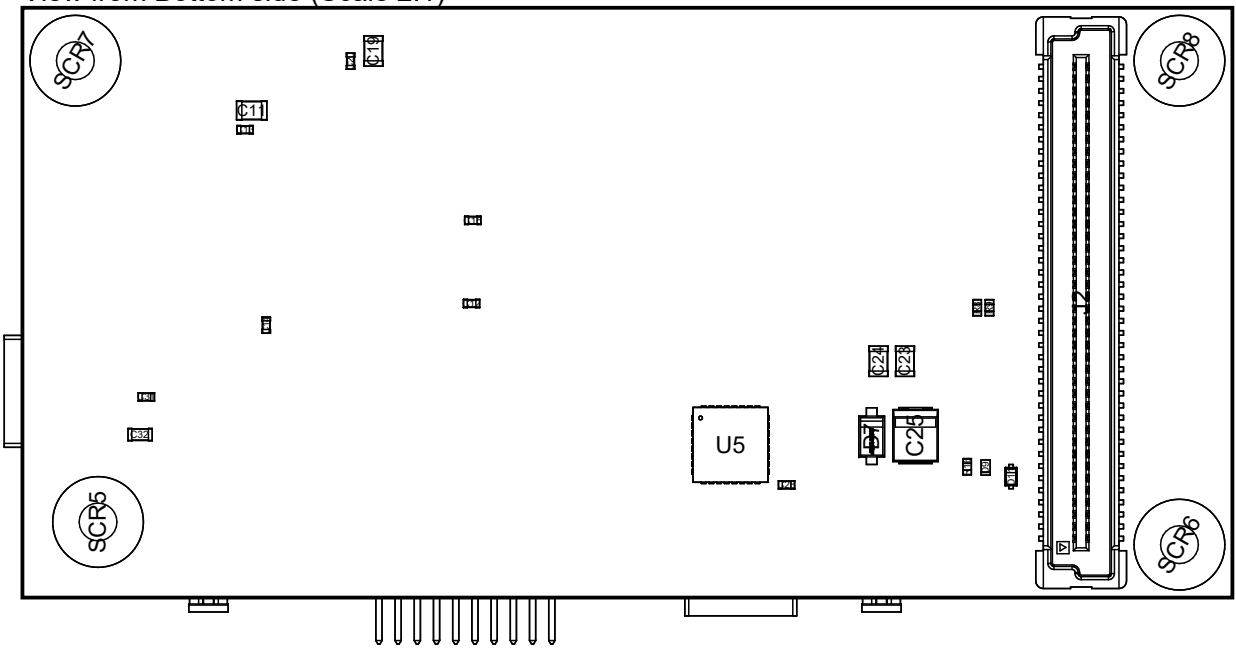



View from Top side (Scale 2:1)

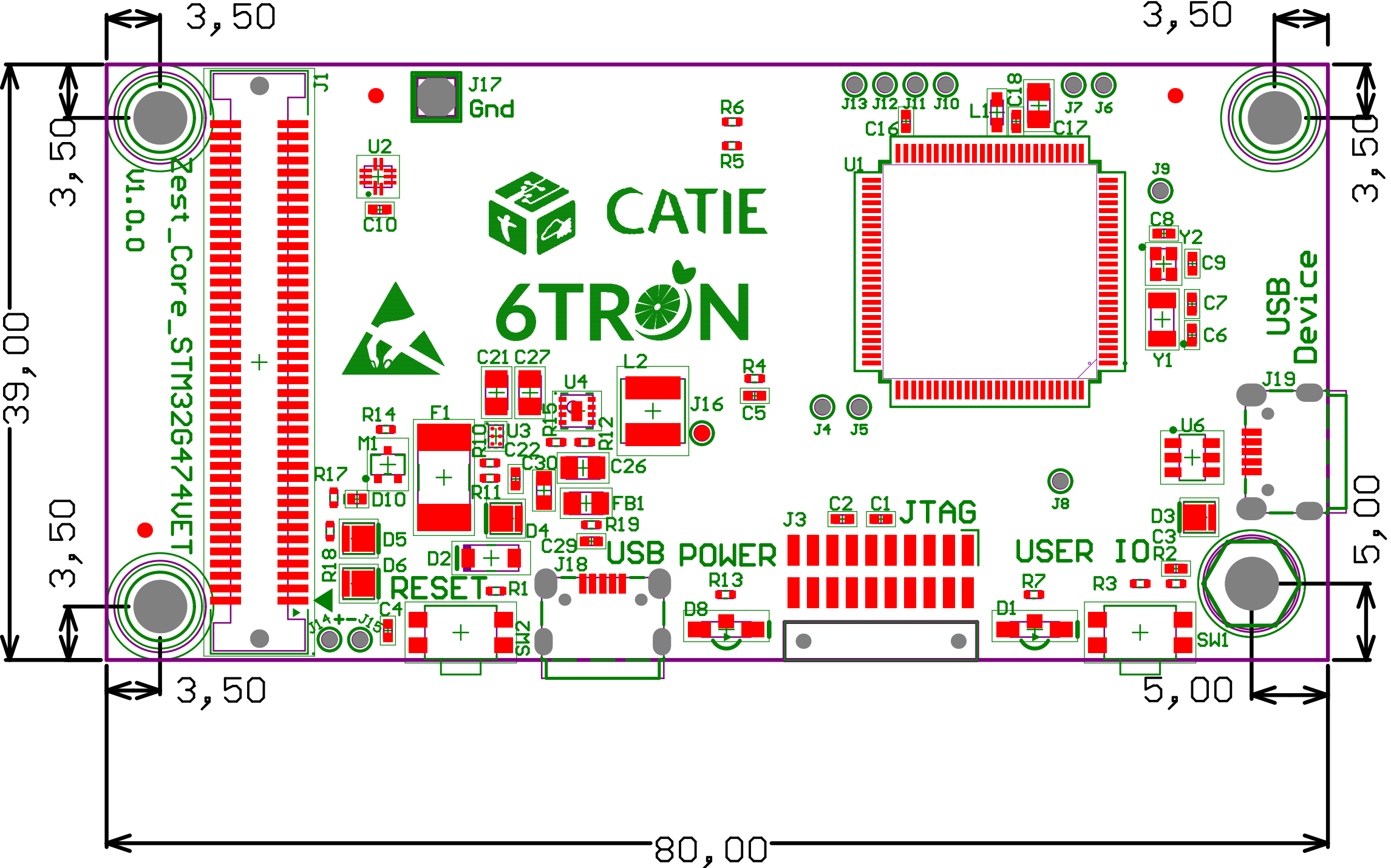


Title: <i>Assembly Drawing</i>	Version: 1.0.0	
Board: <i>Zest_Core_STM32G474VET</i>	Size: A4	
Project: <i>6TRON</i>	Sheet: 1 of 2	
Author: <i>SGA</i>	Date: 04/06/2020	

View from Bottom side (Scale 2:1)



Title: <i>Assembly Drawing</i>	Version: <i>1.0.0</i>	
Board: <i>Zest_Core_STM32G474VET</i>	Size: <i>A4</i>	
Project: <i>6TRON</i>	Sheet: <i>2 of 2</i>	
Author: <i>SGA</i>	Date: <i>04/06/2020</i>	



Top Overlay

Zest\_Core\_STM32G474VET V1.0.0

Board Edge

Mecanical

Board thickness : 1.55mm

Nbr Layers: 6

Copper finish: 35u

Min track width/clearance: 0.1mm

Min finished hole diameter: 0.15mm

Min drilling diameter: 0.25mm

Min Annular ring: 0.125mm

Hole density < 1500/dm<sup>2</sup>

Min milling tool diameter: 0.5mm

Surface finish: Ni/Au selective

Surface finish: NiAu selective

Min milling tool diameter: 0.2mm

Hole density > 1500/bm<sup>2</sup>

Min Annular ring: 0.125mm

Min drilling diameter: 0.25mm

Min finished hole diameter: 0.15mm

Min track width/clearance: 0.1mm

Copper finish: 35u

Board thickness : 1.5mm

Nbr Layers: 6

Zest\_Core\_STM32G474VET V1.0.0

Board Edge

Bottom Overlay

