



Title: <i>Block Diagram</i>	Version: <i>1.0.0</i>	
Board: <i>Zest_Core_FMLR-72</i>	Size: <i>A4</i>	
Project: <i>6TRON</i>	Sheet: <i>1 of 5</i>	
Author: <i>SGA</i>	Date modified: <i>03/01/2022</i>	

A

A

B

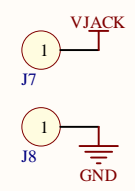
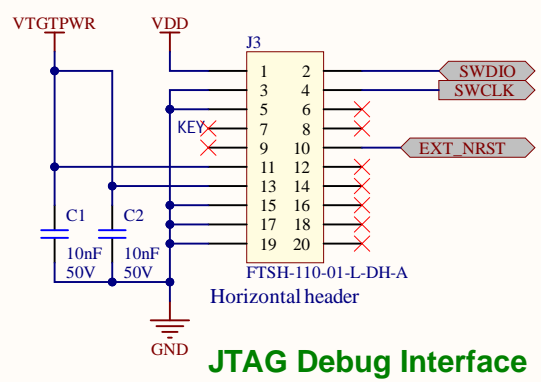
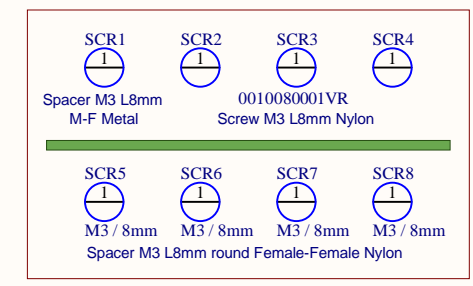
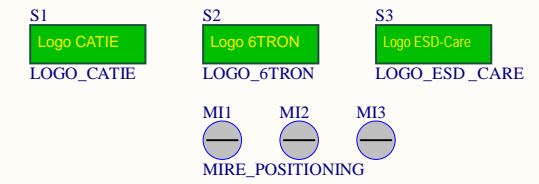
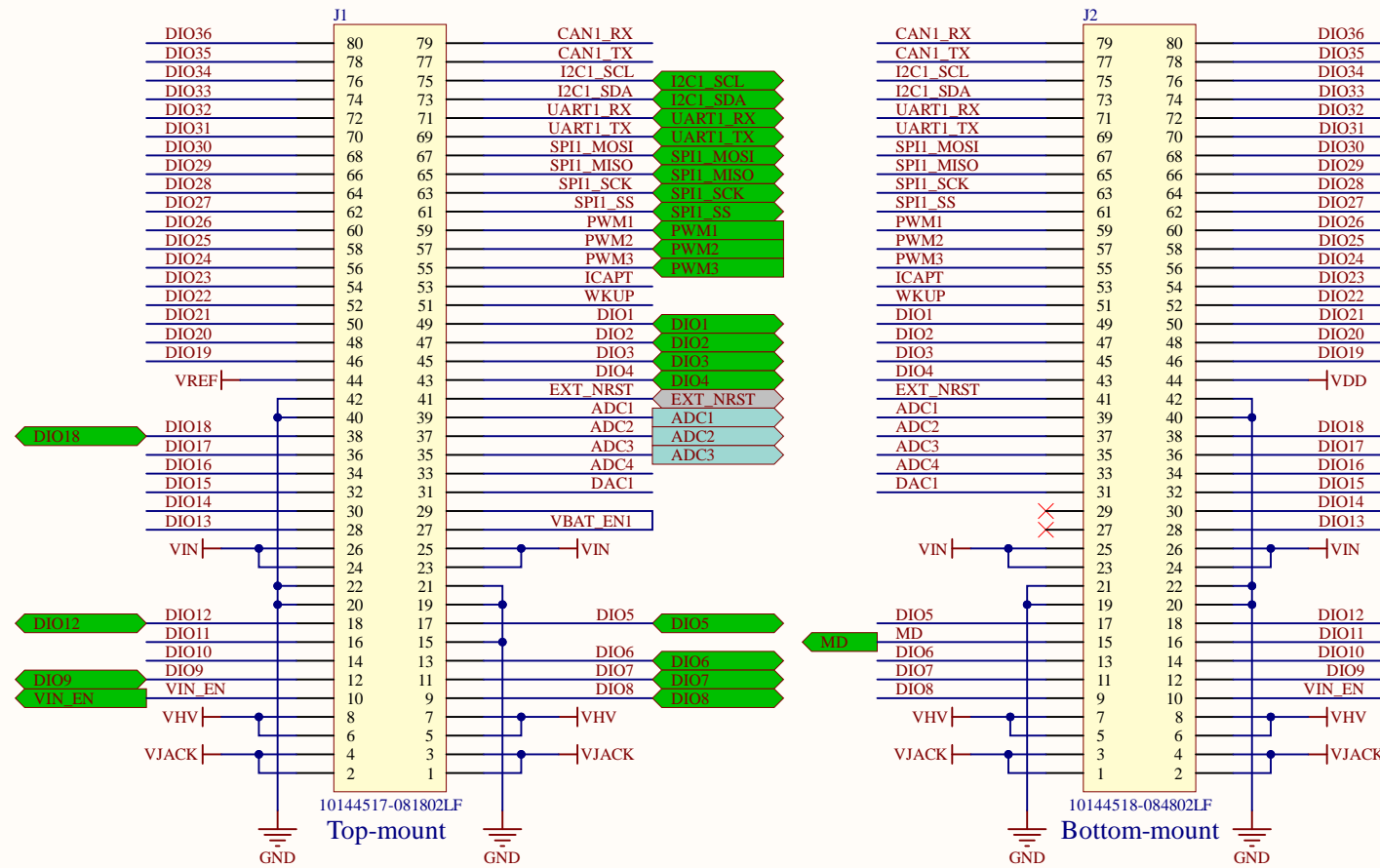
B

C

C

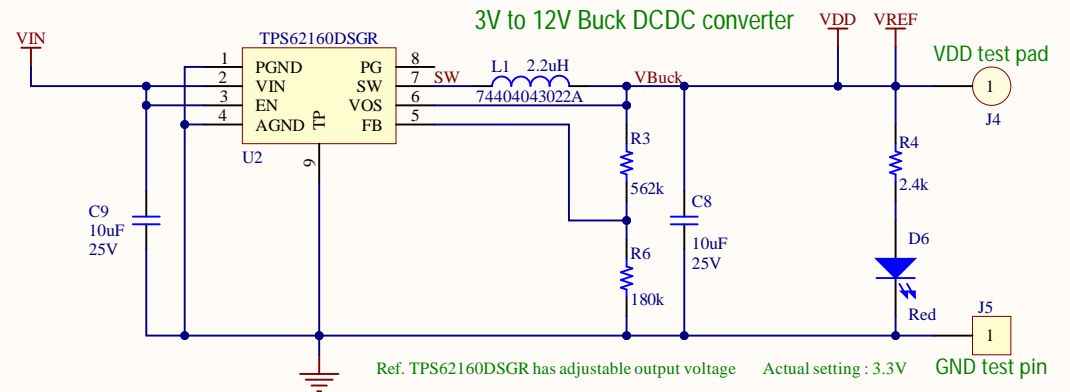
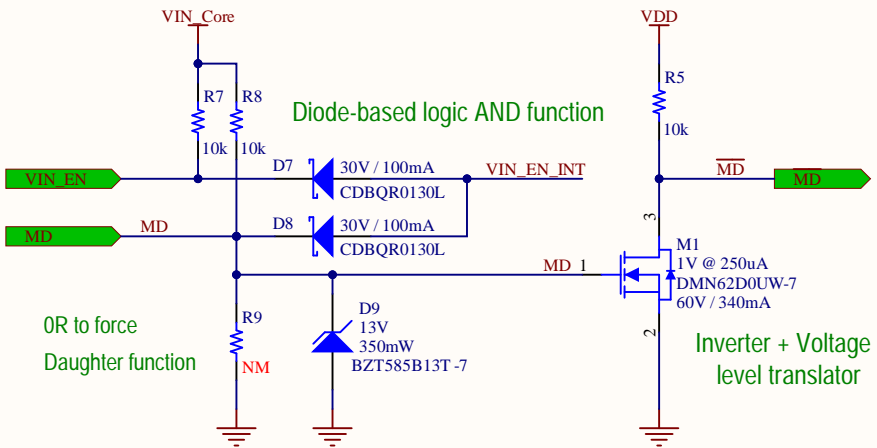
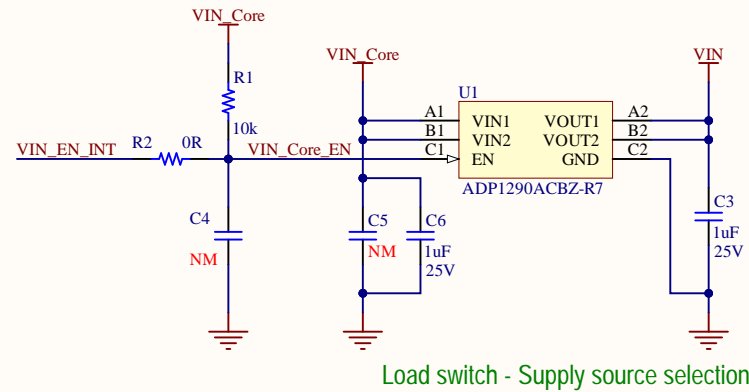
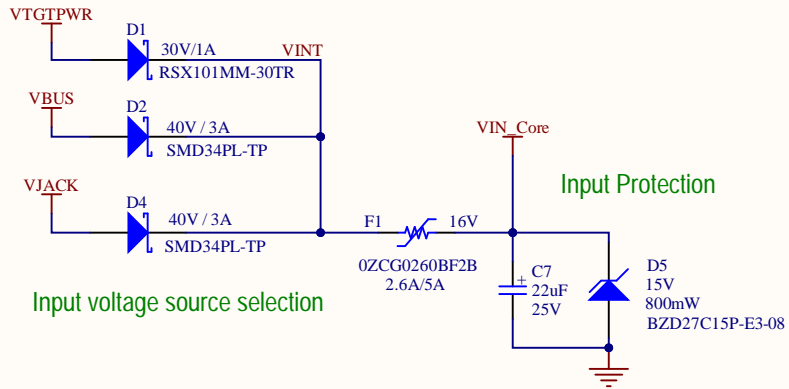
D

D

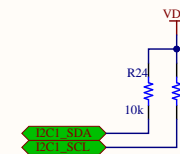
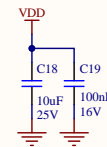
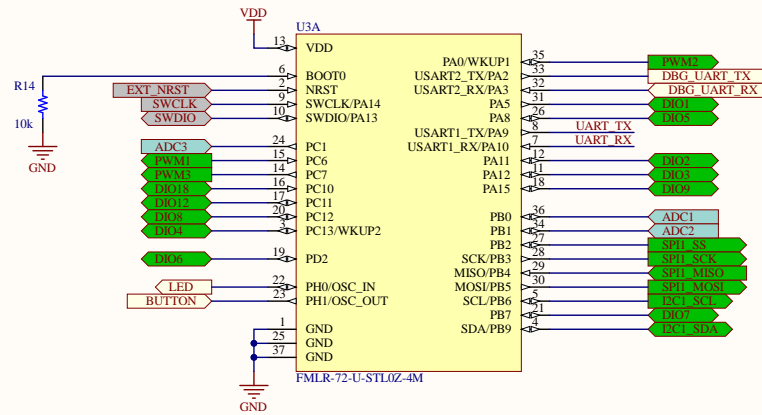
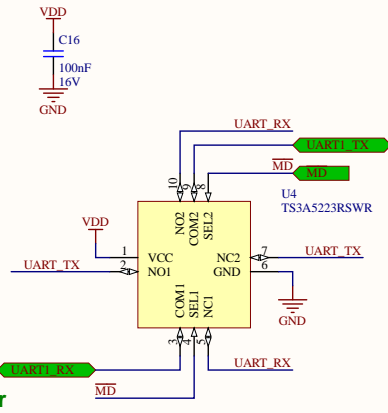
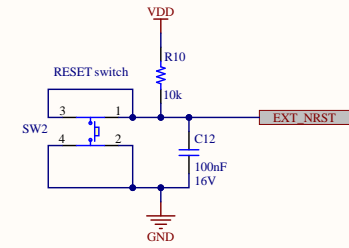
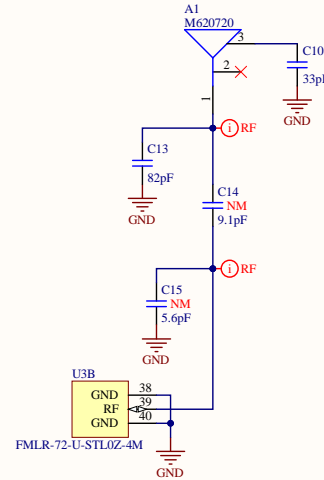
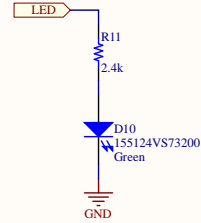
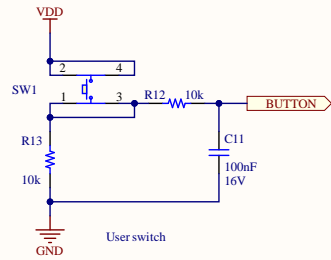


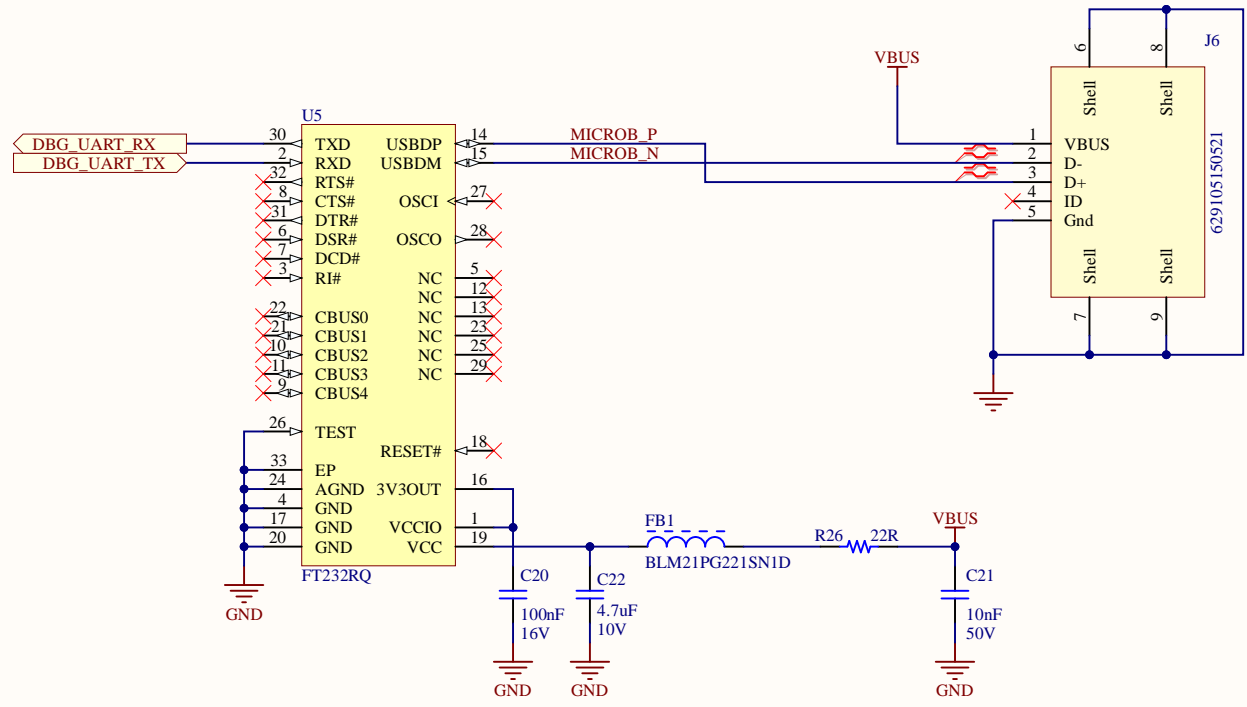
Title: <i>Interconnect</i>	Version: <i>1.0.0</i>	
Board: <i>Zest_Core_FMLR-72</i>	Size: <i>A4</i>	
Project: <i>6TRON</i>	Sheet: <i>2 of 5</i>	
Author: <i>SGA</i>	Date modified: <i>30/12/2021</i>	



CC BY 4.0



Title: <i>Power Supply</i>	Version: <i>1.0.0</i>	
Board: <i>Zest_Core_FMLR-72</i>	Size: <i>A4</i>	
Project: <i>6TRON</i>	Sheet: <i>3 of 5</i>	
Author: <i>SGA</i>	Date modified: <i>28/12/2021</i>	





Title: <i>USB</i>	Version: <i>1.0.0</i>	
Board: <i>Zest_Core_FMLR-72</i>	Size: <i>A4</i>	
Project: <i>6TRON</i>	Sheet: <i>5 of 5</i>	
Author: <i>SGA</i>	Date modified: <i>28/12/2021</i>	