

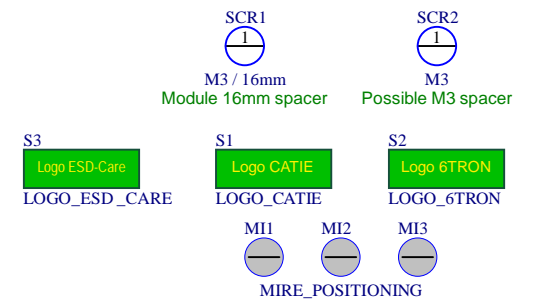
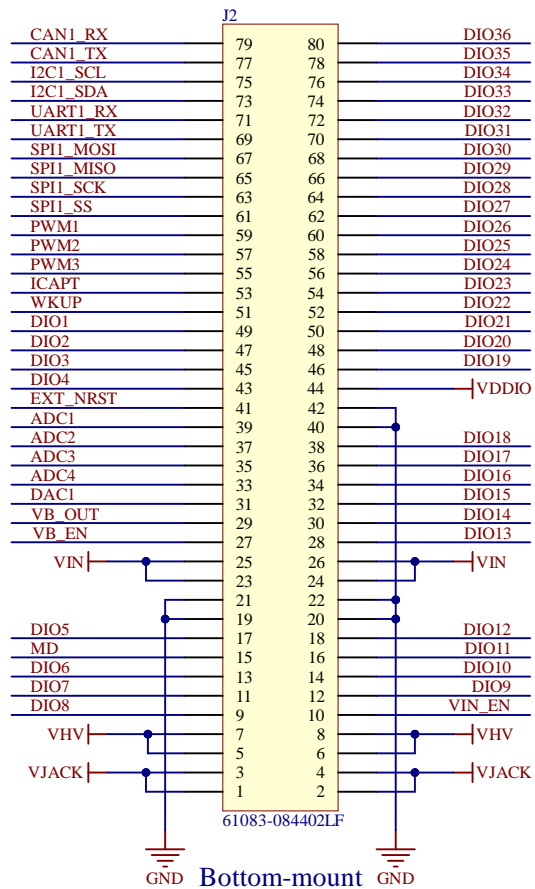
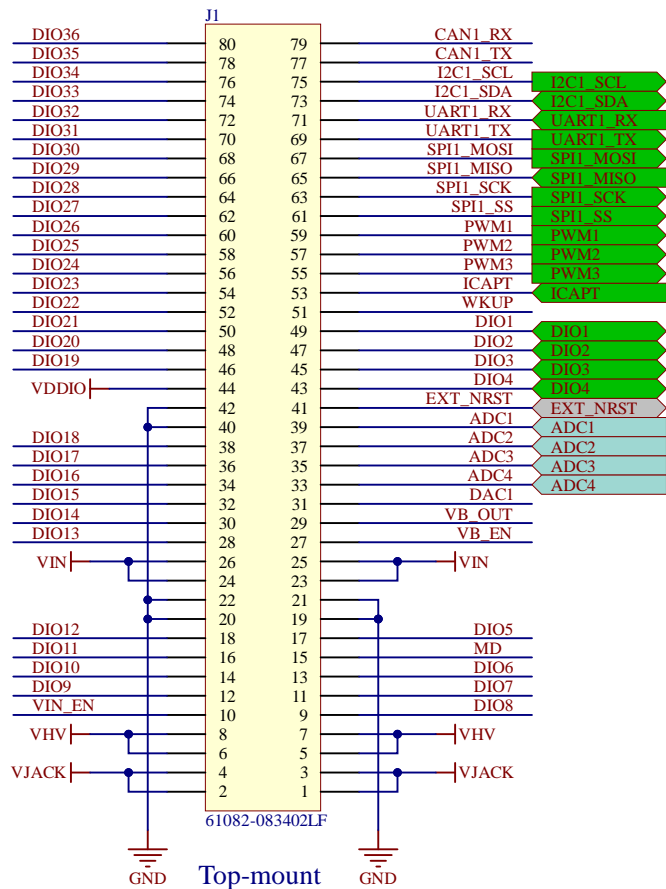
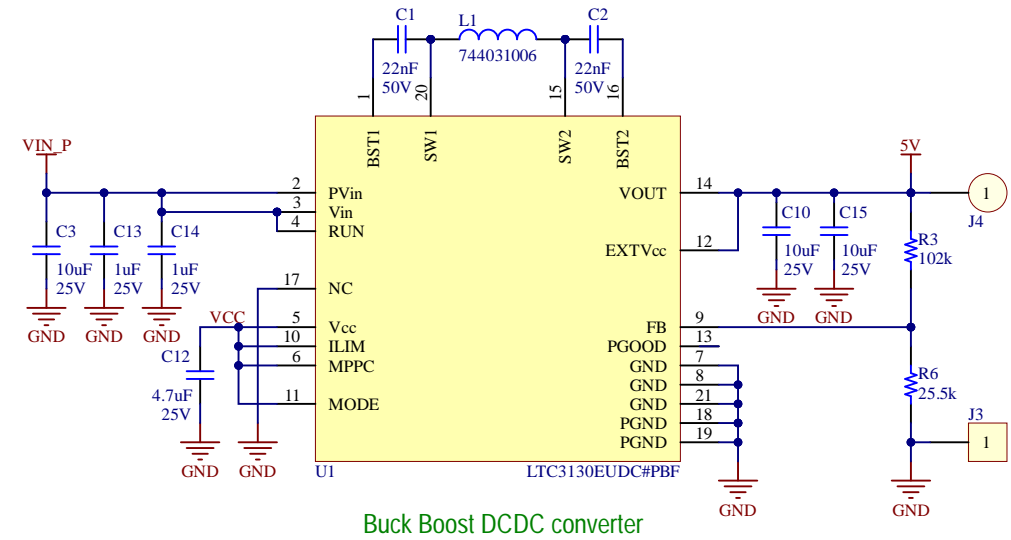
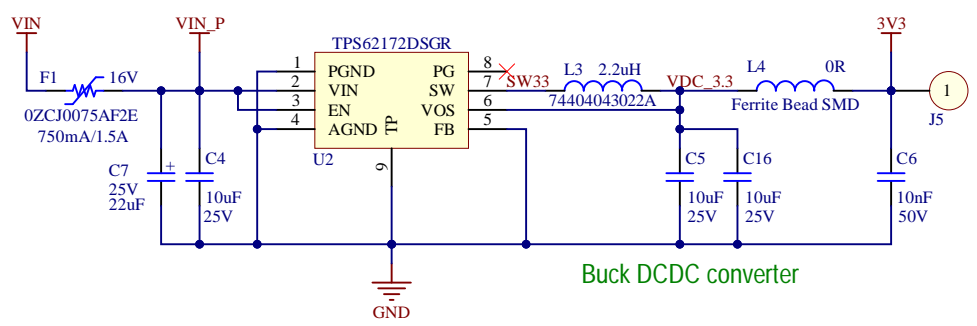
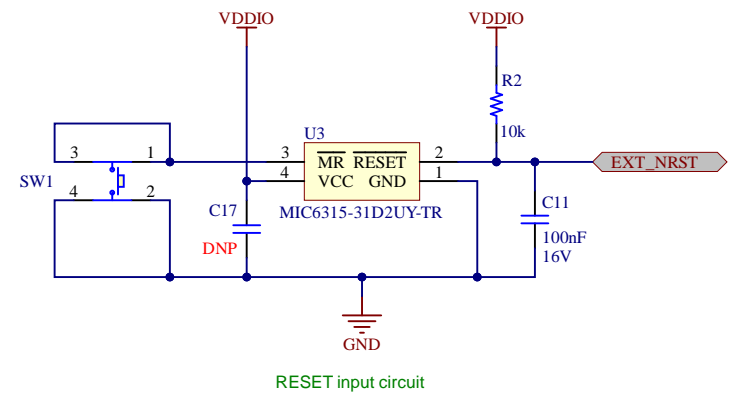
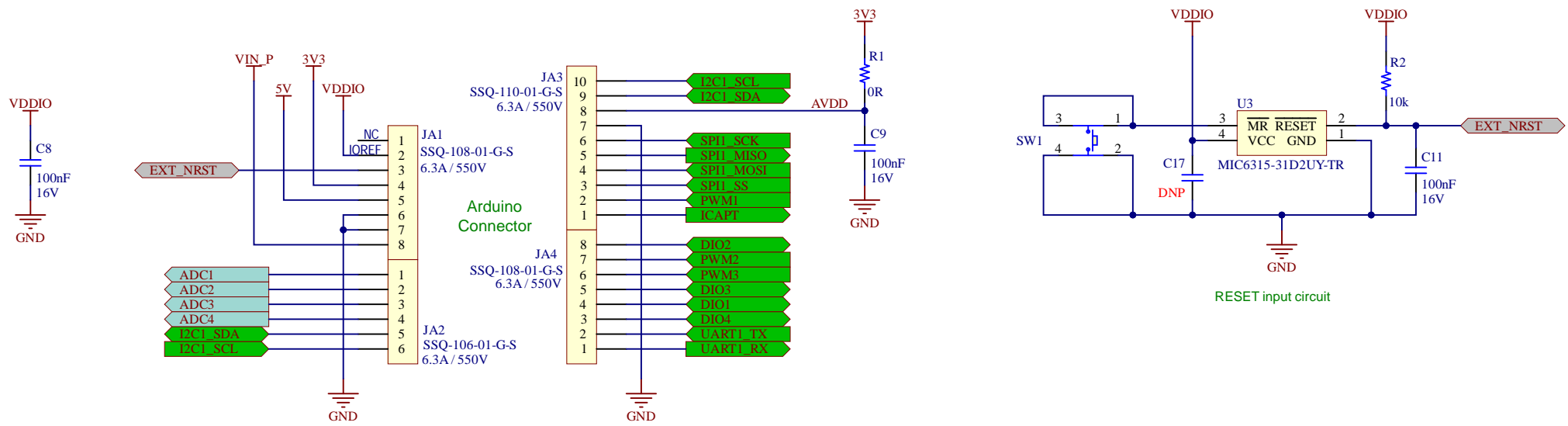


Title: <i>Block Diagram</i>	Version: <i>3.1.0</i>	 
Board: <i>Zest_Adapter_Shield</i>	Size: <i>A4</i>	
Project: <i>6TRON</i>	Sheet: <i>1 of 3</i>	
Author: <i>SGA</i>	Date modified: <i>20/08/2023</i>	



Title: <i>Interconnect</i>	Version: <i>3.1.0</i>	
Board: <i>Zest_Adapter_Shield</i>	Size: <i>A4</i>	
Project: <i>6TRON</i>	Sheet: <i>2 of 3</i>	
Author: <i>SGA</i>	Date modified: <i>09/07/2023</i>	

CC BY 4.0



Title: <i>Interface</i>	Version: <i>3.1.0</i>	
Board: <i>Zest_Adapter_Shield</i>	Size: <i>A4</i>	
Project: <i>6TRON</i>	Sheet: <i>3 of 3</i>	
Author: <i>SGA</i>	Date modified: <i>20/08/2023</i>	

CC BY 4.0