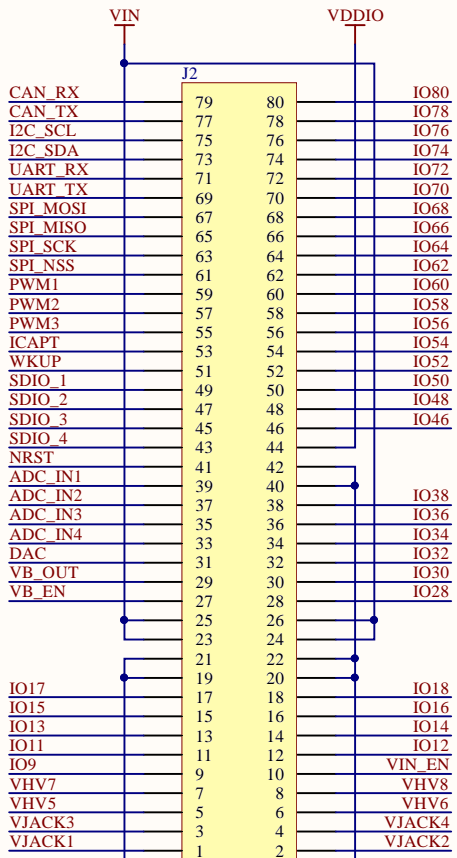
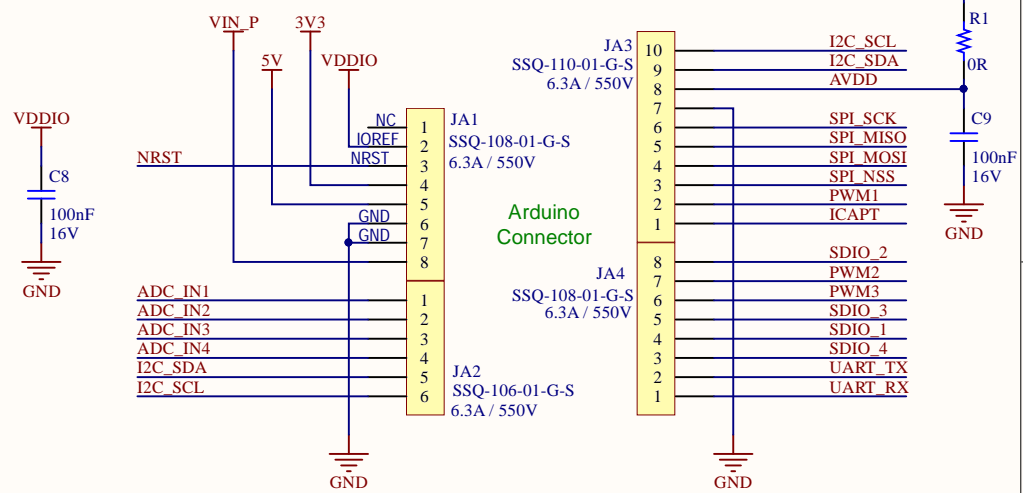
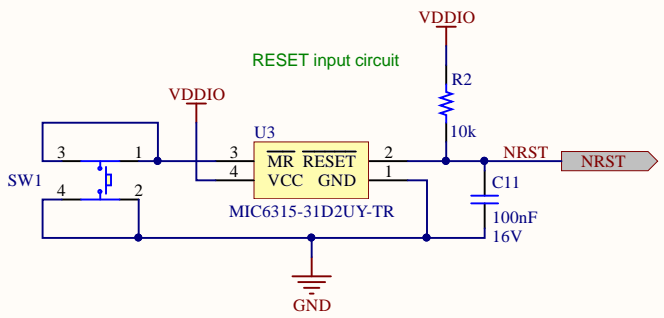
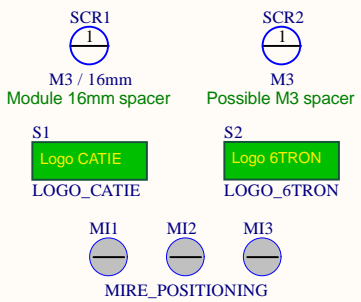


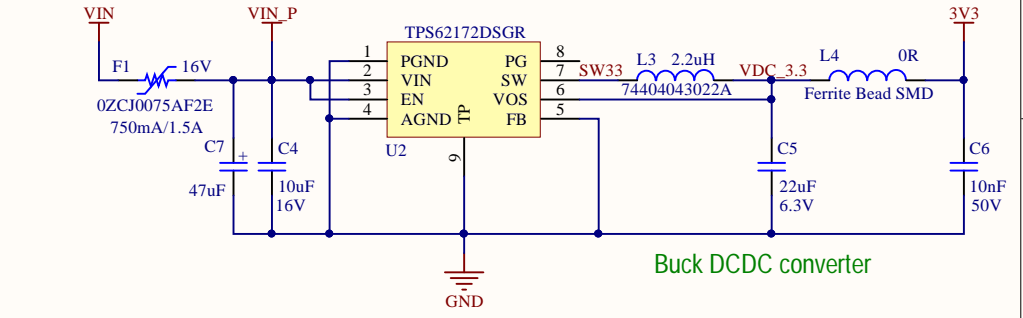
Top-mount



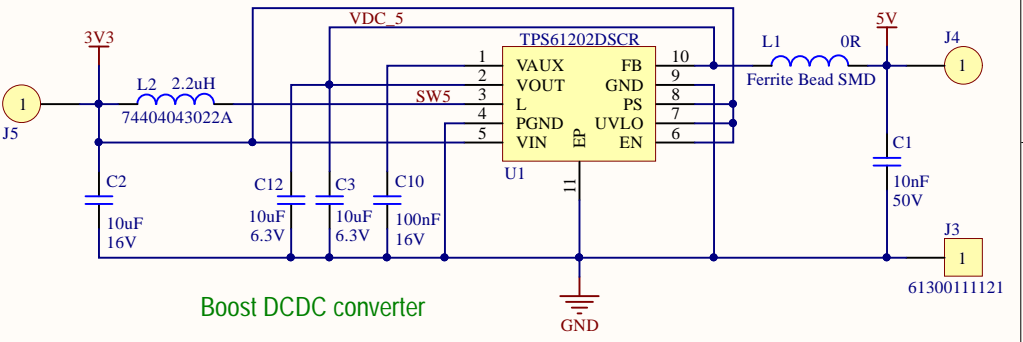
Bottom-mount



Arduino Connector



Buck DCDC converter



Boost DCDC converter

Title: <i>Interconnect</i>	Version: 2	 CATIE <small>Solutions pour la société connectée</small>
Board: <i>Zest_Adapter_Shield</i>	Size: <i>A4</i>	
Project: <i>6Tron</i>	Sheet: <i>1 of 1</i>	
Author: <i>Olivier Chevalerias</i>	Date modified: <i>01/09/2017</i>	

