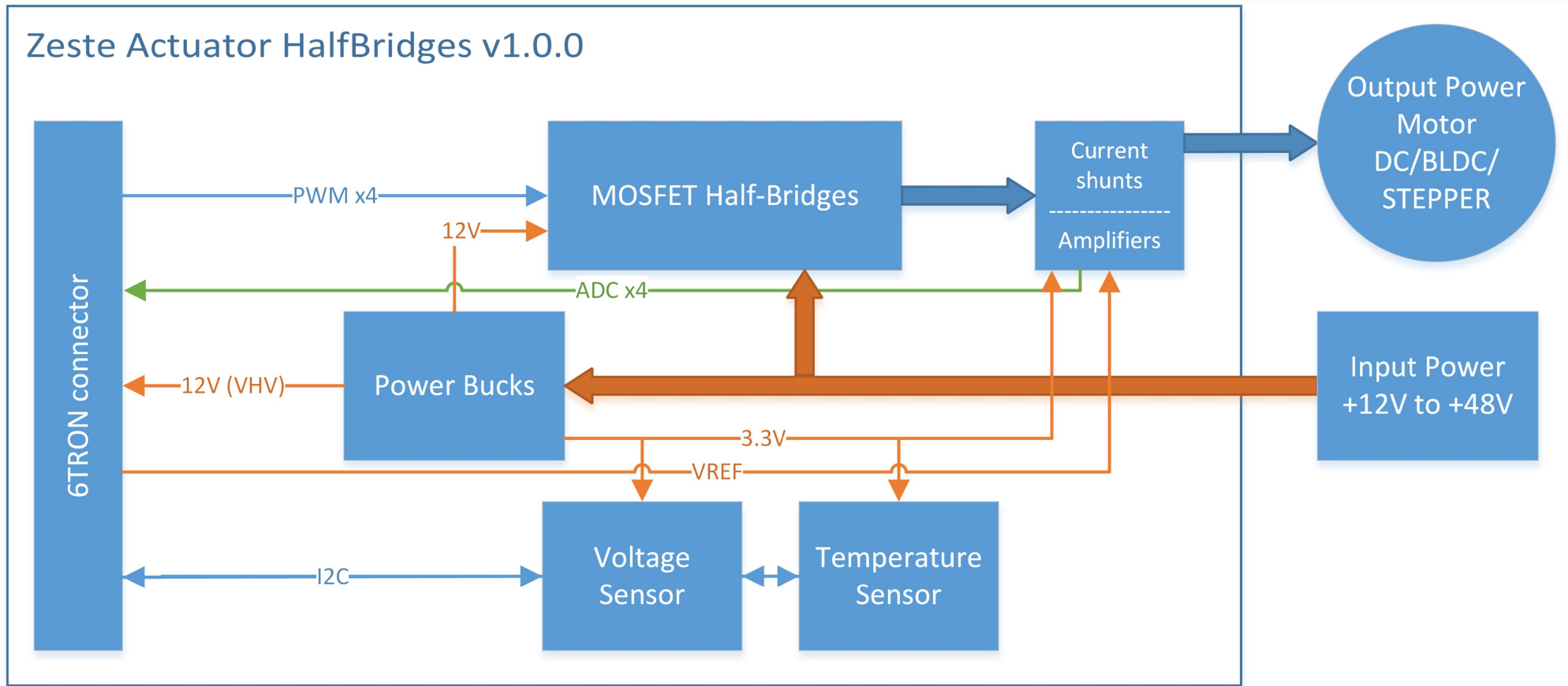


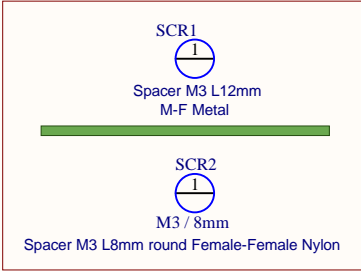
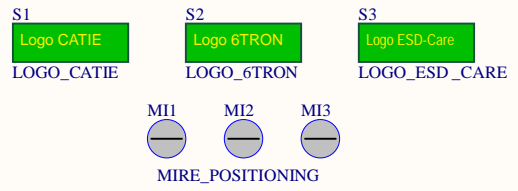
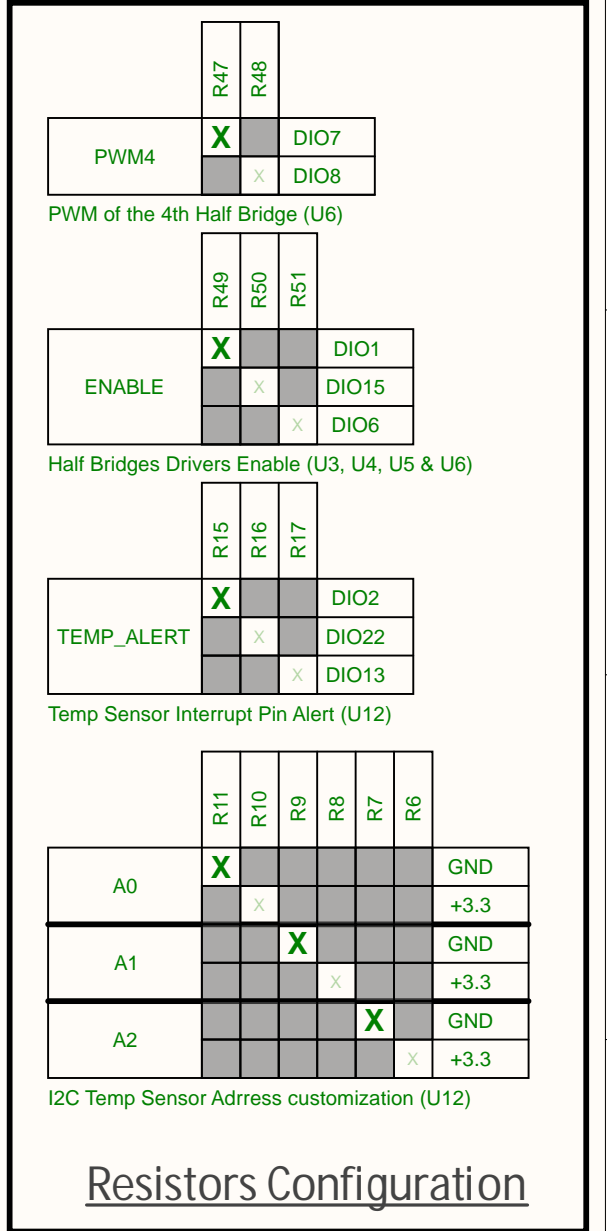
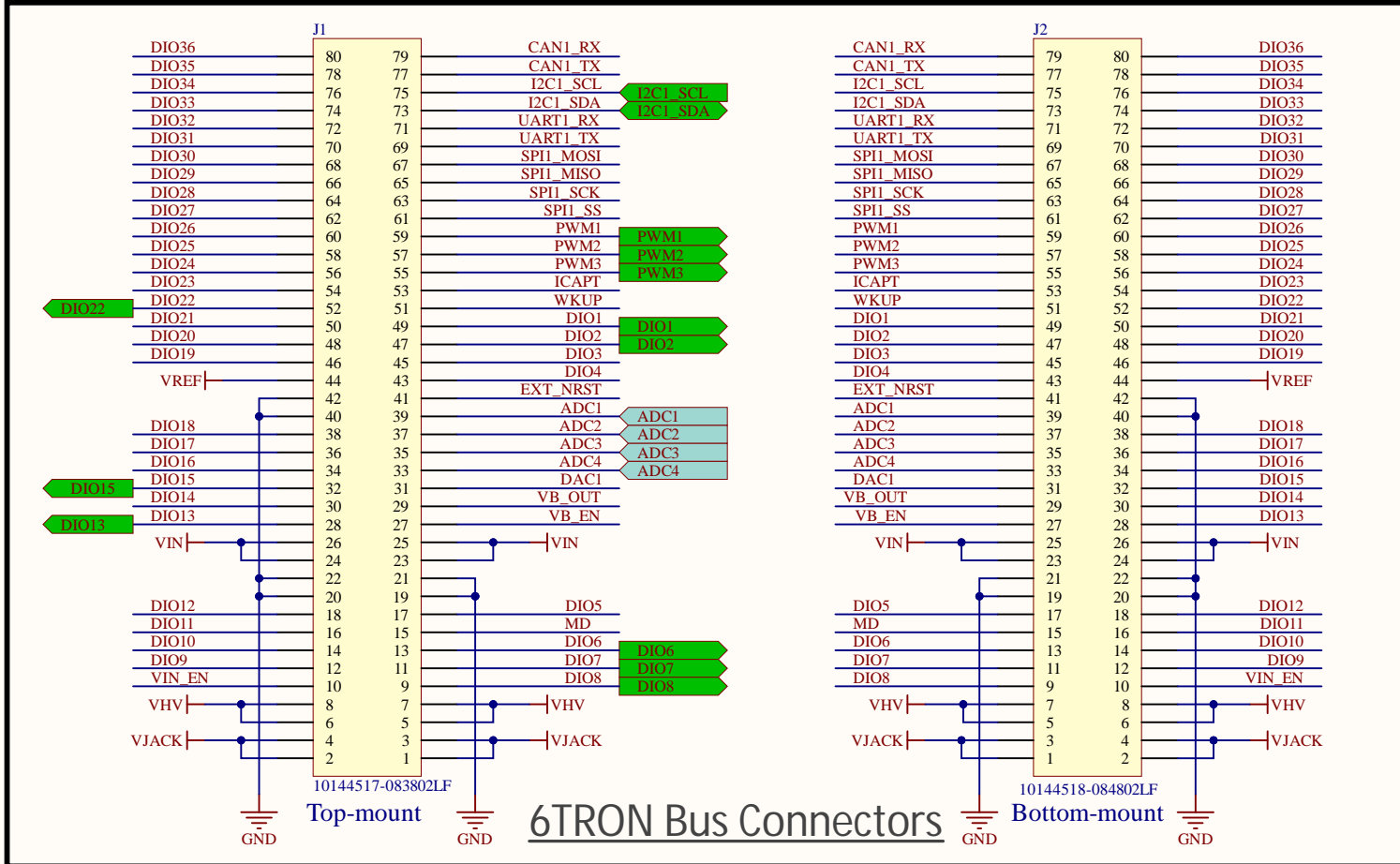


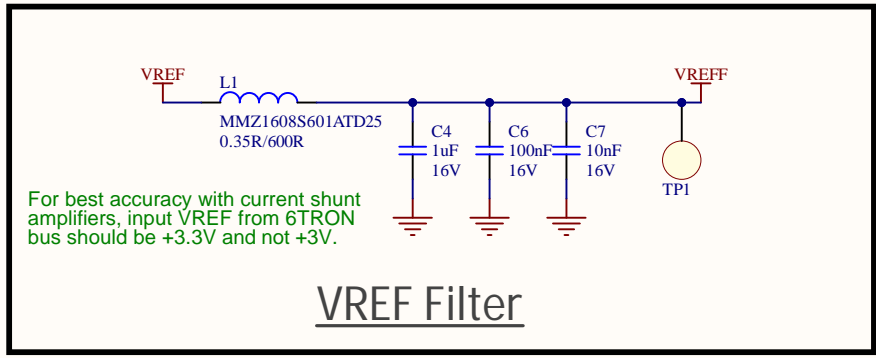
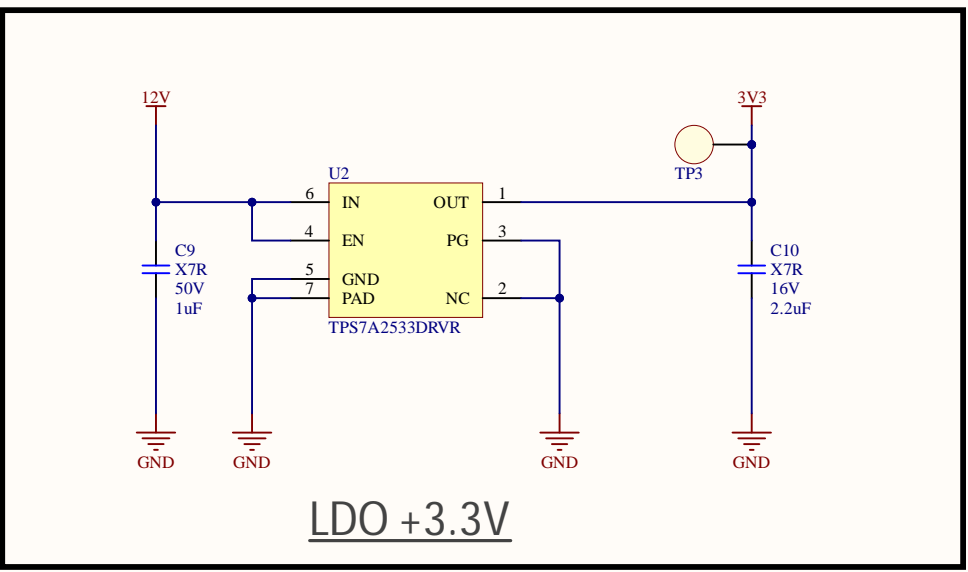
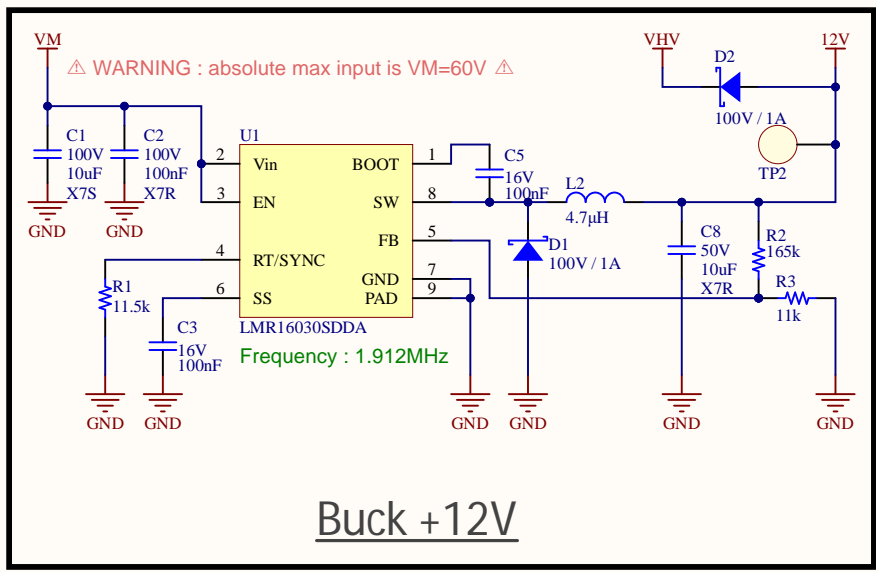
# zest\_actuator\_halfbridges 1.0.0





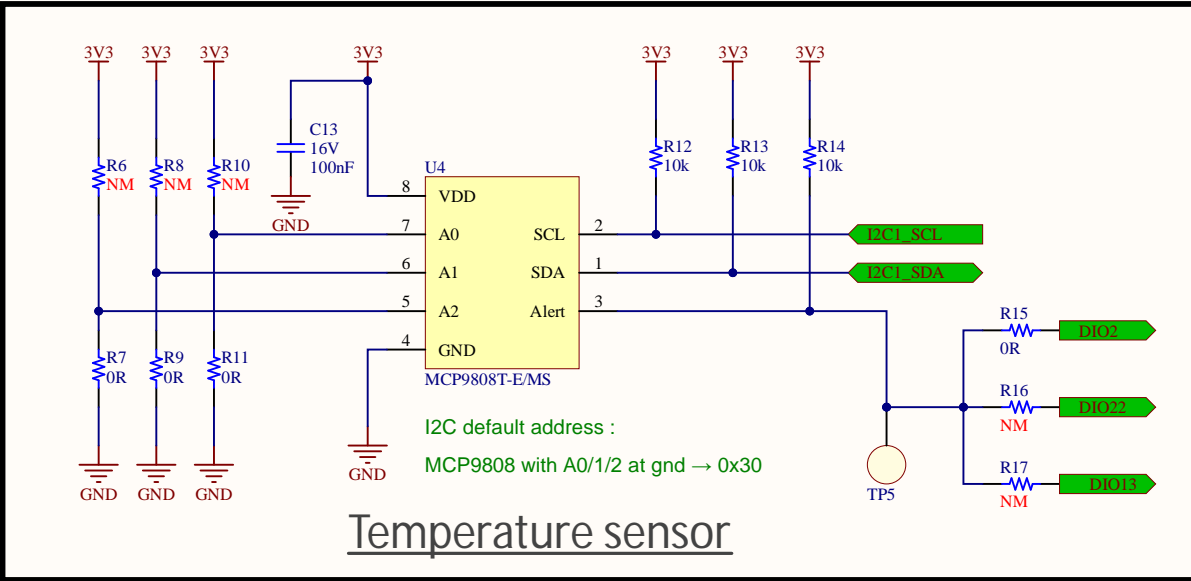
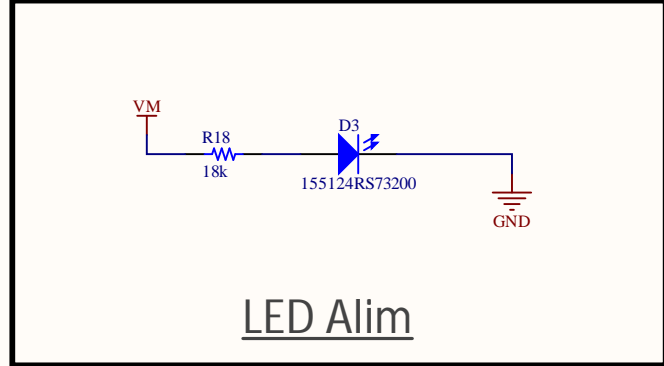
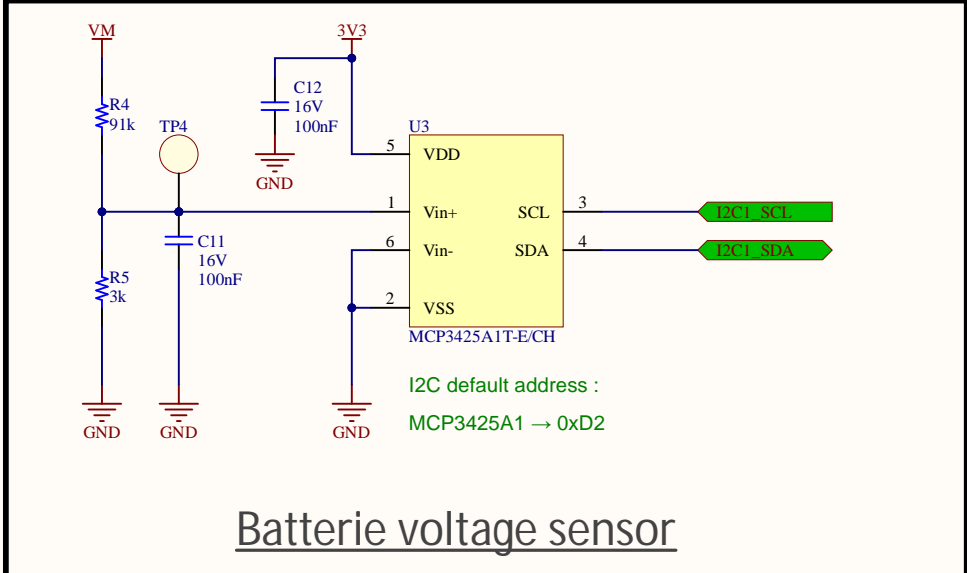
Title: <i>Synoptic</i>	Version: <i>1.0.0</i>	 <b>CATIE</b> <small>Solutions pour le secteur numérique</small>
Board: <i>zest_actuator_halfbridges</i>	Size: <i>A4</i>	
Project: <i>6TRON</i>	Sheet: <i>1 of 5</i>	 <b>CC BY</b> <small>4.0</small>
Author: <i>ACH</i>	Date modified: <i>15/03/2022</i>	



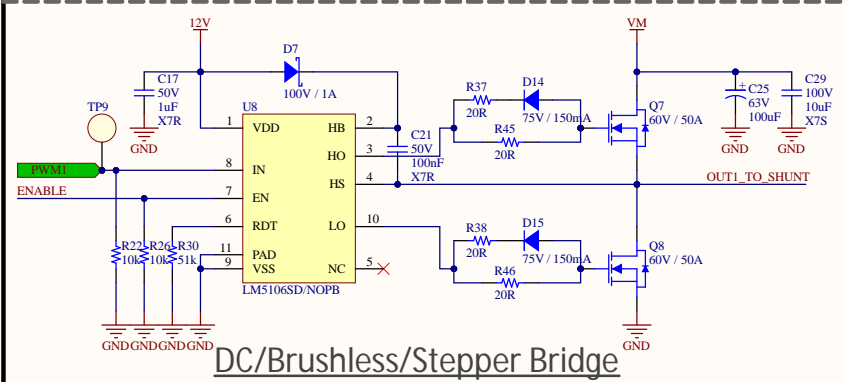
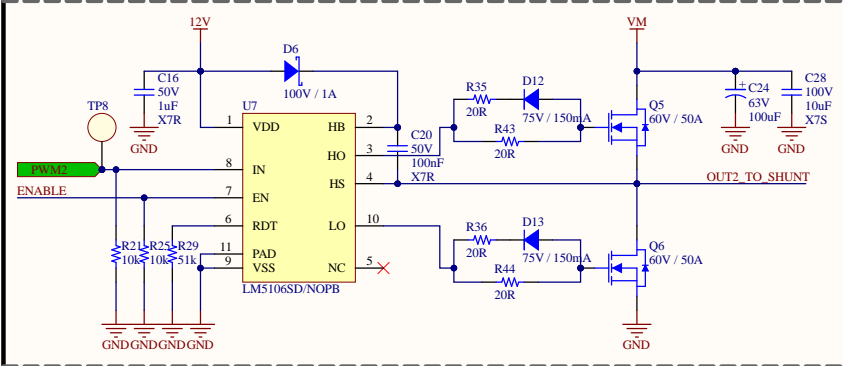
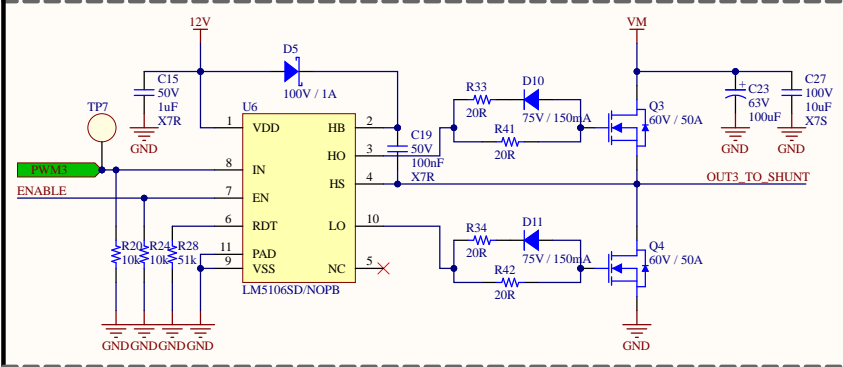
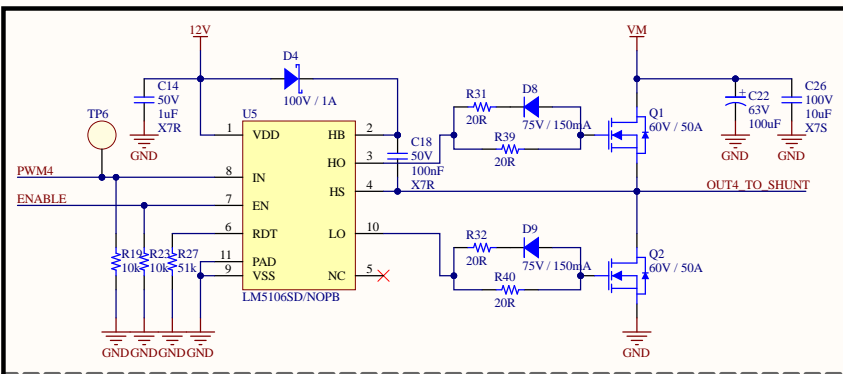
Title: <i>Interconnect</i>	Version: <i>1.0.0</i>	 Solutions pour le secteur numérique
Board: <i>zest_actuator_halfbridges</i>	Size: <i>A4</i>	
Project: <i>6TRON</i>	Sheet: <i>2 of 5</i>	
Author: <i>ACH</i>	Date modified: <i>22/12/2020</i>	



Title: <i>Power Management</i>	Version: <i>1.0.0</i>	
Board: <i>zest_actuator_halfbridges</i>	Size: <i>A4</i>	
Project: <i>6TRON</i>	Sheet: <i>3 of 5</i>	
Author: <i>ACH</i>	Date modified: <i>22/12/2020</i>	



Title: <i>Sensors</i>	Version: <i>1.0.0</i>	
Board: <i>zest_actuator_halfbridges</i>	Size: <i>A4</i>	
Project: <i>6TRON</i>	Sheet: <i>4 of 5</i>	
Author: <i>ACH</i>	Date modified: <i>23/12/2020</i>	



DC/Brushless/Stepper Bridge

