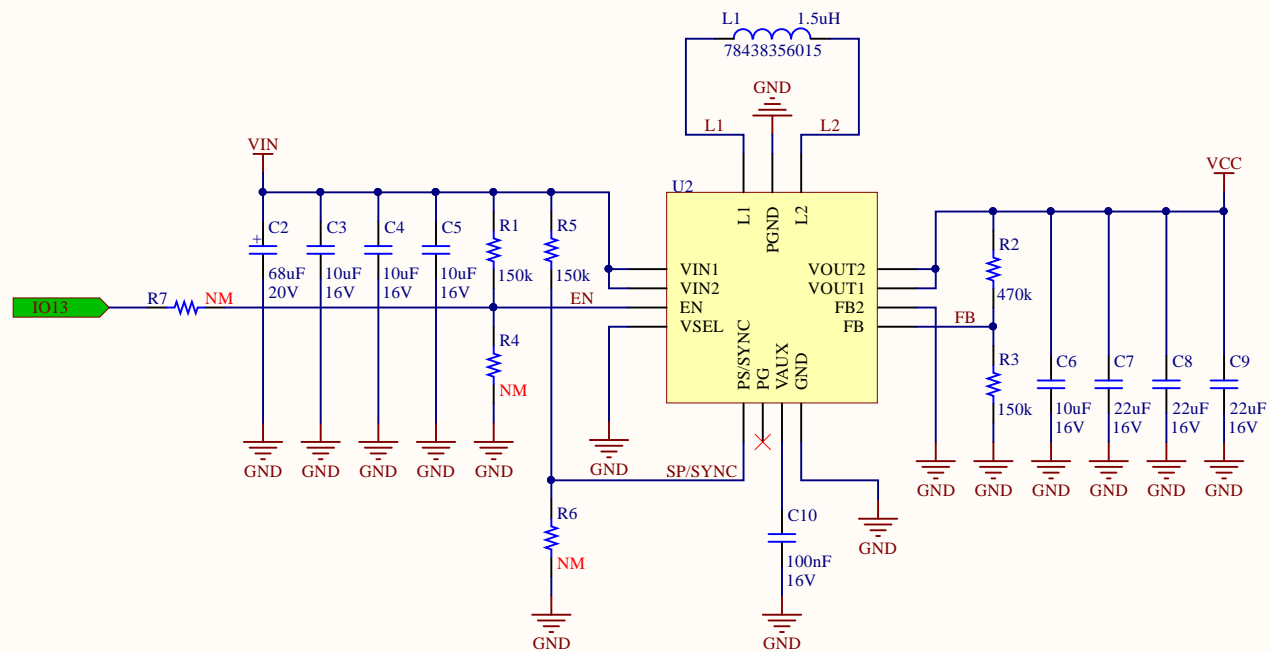


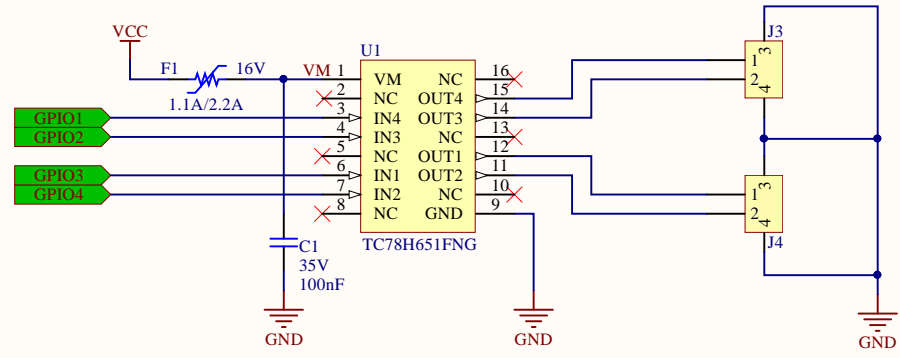




DESIGN NOTE:
 In order to use IO17 as a PWM output, please remove R22 and connect R21 on Zest_Core_STM32L4A6

Title: <i>Interconnect</i>	Version: 1.0.0	
Board: <i>Zest_Actuator_DC-Stepper</i>	Size: A4	
Project: <i>6Tron</i>	Sheet: 1 of 3	
Author: <i>AND</i>	Date modified: 18/11/2019	



Title: <i>Power_Supply</i>	Version: <i>1.0.0</i>	 CATIE <small>Solutions pour la société romainque</small>
Board: <i>Zest_Actuator_DC-Stepper</i>	Size: <i>A4</i>	
Project: <i>6Tron</i>	Sheet: <i>2 of 3</i>	
Author: <i>AND</i>	Date modified: <i>18/11/2019</i>	
		



Title: <i>Driver</i>	Version: <i>1.0.0</i>	
Board: <i>Zest_Actuator_DC-Stepper</i>	Size: <i>A4</i>	
Project: <i>6Tron</i>	Sheet: <i>3 of 3</i>	
Author: <i>AND</i>	Date modified: <i>18/11/2019</i>	